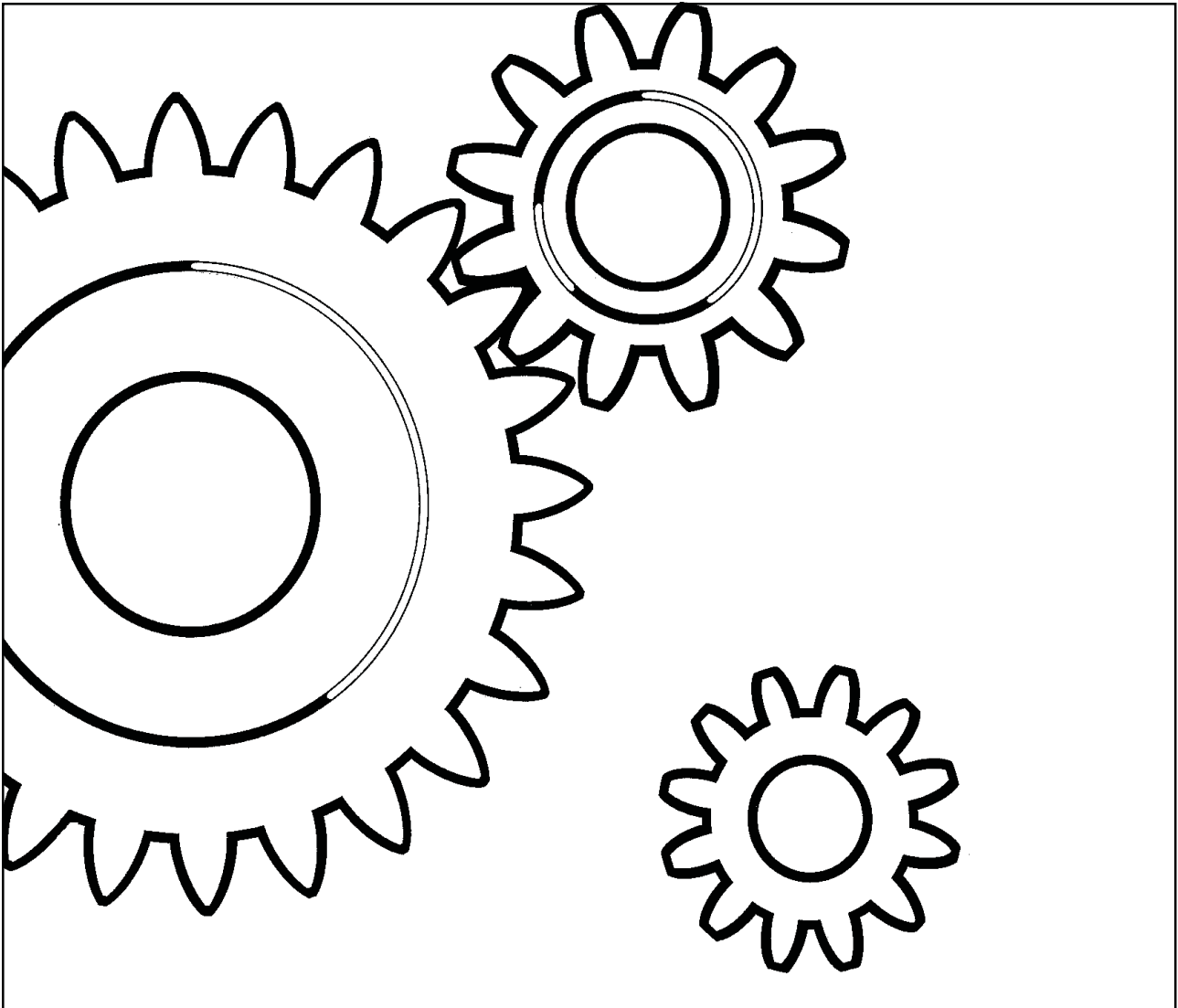


**DYNAPAC**  
**LP8504**  
**SPARE PARTS**  
**CATALOGUE**  
SLP8504-1EN1



***DYNAPAC***

Part of the Atlas Copco Group

Atlas Copco Construction Tools AB  
SE-105 23 Stockholm, Sweden

No: 9800 1067 01



## **Trench Compactor LP 8504 Spare Parts Catalogue SLP8504-1EN1**

*Valid from serial number:*

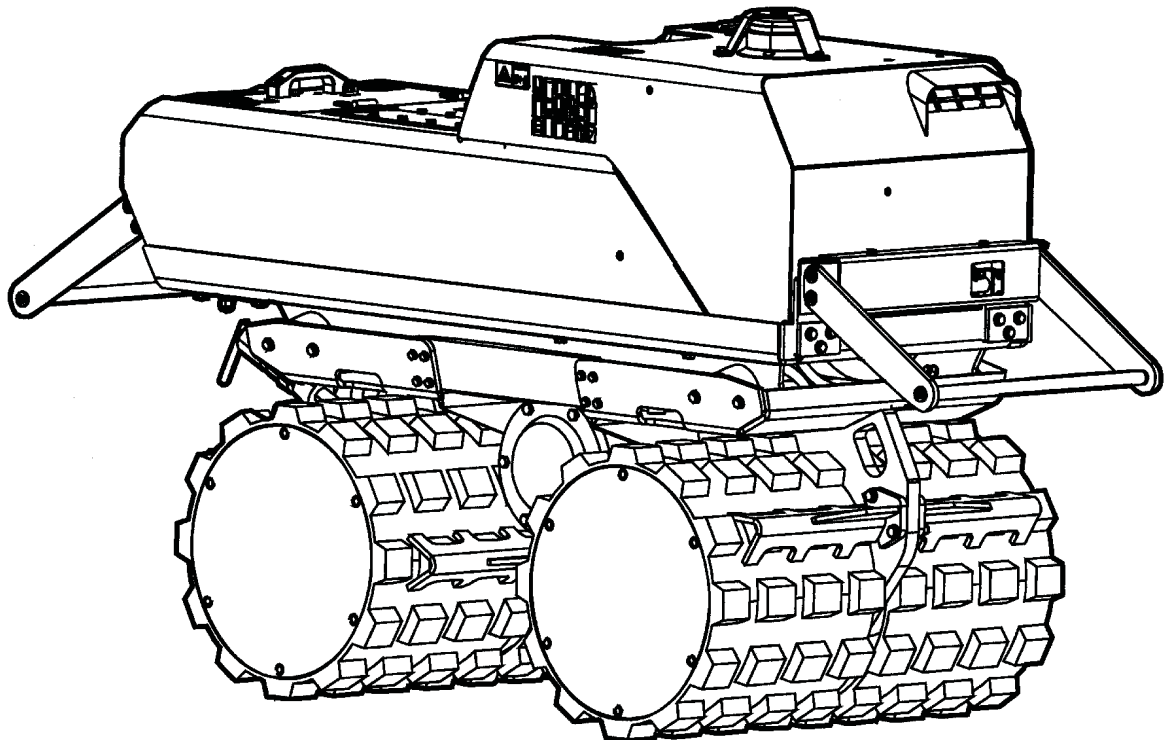
*\*185010001\*-*

*Engines:*

*Hatz 2G40*

*Published catalogue issues valid for these thrench compactors:*  
*Catalogue            Issue date*

*SLP8504-1EN1    2010 - 05*



**RESERVDLSBESTÄLLNING**

Följande uppgifter ska lämnas vid beställning av reservdelar för att undvika leveransfel:

1. Maskintyp.
2. Vältensserienummer.
3. Antal av önskad reservdel.
4. Reserdelens artikelnummer.
5. Reservdelens benämning.
6. Måttuppgifter vid beställning av metervara.

**ERSATZTEILBESTELLUNG**

Zur Vermeidung von Fehllieferungen sind bei der Bestellung von Ersatzteilen folgende Angaben zu machen:

1. Maschinentyp.
2. Herstellungsnummer.
3. Bestellmenge. (Quantity)
4. Ersatzteilnummer. (Part N<sup>o</sup>)
5. Ersatzteilbenennung. (Denomination)
6. Massangaben bei Bestellung von Meterware.

**PEDIDO DE RECAMBIOS**

Para evitar errores en las entregas, deberán indicarse los siguientes datos al hacer un pedido de recambios:

1. Tipo de máquina.
2. Número de serie.
3. Cantidad de piezas deseadas. (Quantity)
4. Número de artículo de la pieza de recambio. (Part N<sup>o</sup>)
5. Denominación de la pieza. (Denomination)
6. Indíquese la medida al solicitar un artículo que se expide por metros.

**ORDERING SPARE PARTS**

To avoid errors in delivery, please give the following information when ordering spare parts:

1. Type of machine.
2. Roller serial number.
3. Quantity required.
4. Part number.
5. Parts denomination.
6. Dimensions when ordering per length.

**ORDINI DI RICAMBI**

Per evitare errori nelle consegne di ricambi, Vi preghiamo di comunicarci le seguenti informazioni al momento dell'ordinazione:

1. Tipo di macchina.
2. Numero di serie della macchina.
3. Quantità dei pezzi desiderati. (Quantity)
4. Numero di codice del pezzo. (Part N<sup>o</sup>)
5. Descrizione del pezzo di ricambio. (Denomination)
6. Misura, in caso di ordine per metro.

**COMMANDE DE PIÈCES DE RECHANGE**

Les indications suivantes doivent être fournies lors de la commande de pièces de rechange, afin d'éviter toute erreur de livraison:

1. Type de machine.
2. Numéro de série.
3. Quantité désirée de pièce de rechange. (Quantity)
4. Numéro de la pièce de rechange. (Part N<sup>o</sup>)
5. Dénomination de la pièce de rechange. (Denomination)
6. Longueur en cas de commande au mètre.

**YOUR AGENT/DEALER:**





## PÄRMETIKETT

För att undvika fel vid reservdelsbeställning finns här nedan två etiketter som passar i fickorna på pärmarnas ryggar. På dessa kan man se från vilket vältnummer av aktuell maskin reservdelskatalogen gäller. Gör så här:

1. Tag denna sida ur pärmen.
2. Klipp ut etiketten till **VÄNSTER** (1) och sätt in den i fickan på **DENNA** pärmens rygg.
3. Finns det en etikett till **HÖGER** (2), kan denna användas på pärmen för **FÖREGÅENDE** utgåva av denna katalog.
4. Kasta detta papper.

## KATALOG-BESCHRIFTUNG

Zur Vermeidung von Fehlern bei der Ersatzteilbestellung benutzen Sie bitte die unteren Beschriftungen, um die Kataloge auf der Rückseite zu kennzeichnen. Auf der Beschriftung ist angegeben, für welche Maschinennummern der jeweilige Katalog gültig ist. Ablauf:

1. Nehmen Sie dieses Blatt aus dem Katalog.
2. Schneiden Sie die **LINKE** Beschriftung (1) aus. Schieben Sie die Beschriftung in die tasche auf **DEM** Katalogrücke.
3. Sollte die Beschriftung unten **RECHTS** (2) mitgeliefert werden, kennzeichnen Sie damit bitte die **ÄLTERE** Ausführung dieses Kataloges.
4. Den Rest dieses Blattes bitte vernichten.

## ETIQUETA PARA LA CARPETA

Para evitar errores al pedir repuestos utilicen las etiquetas abajo descritas para identificar los catálogos en la parte trasera de la carpeta. En la etiqueta se ven los números de referencia de la serie para la cual es válido el catálogo. Instrucciones:

1. Quitar esta página de la carpeta.
2. Corta la etiqueta **IZQUIERDA** (1) y ponerla en **ESTA** carpeta en la parte trasera.
3. Si hay una etiqueta en la parte **DERECHA** (2) se puede utilizar en la carpeta para el catálogo que **PRECEDE** a esta.
4. Tirar esta hoja.

## BINDER LABEL

To avoid errors when ordering spare parts use the labels below to identify the catalogues on the back of the binder. The label contain the serial number range for which the catalogue is valid. Do like this:

1. Remove this page from the binder.
2. Cut out the **LEFT** label (1) and put it on **THIS** binders back.
3. If there is a label to the **RIGHT** (2), it can be used on the binder for **PRECEDING** issue of this catalogue.
4. Throw away this paper.

## ETICHETTAPOSTASULRACCOGLITORE

Per evitare errori quando ordinate pezzi di ricambio, usate le etichette in calce che servono ad identificare i cataloghi sul retro del raccoglitore. L'etichetta indica il numero di matricola delle macchine prese in considerazione nel catalogo.

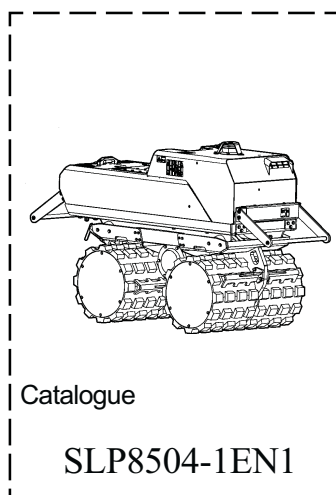
1. Rimuovete questa pagina dal raccoglitore.
2. Ritagliate l'etichetta posta a **SINISTRA** (1) e ponetela sul retro **DEL** raccoglitore.
3. Se trovate anche un'etichetta sulla **DESTRA** (2), ritagliatela e ponetela sul raccoglitore relativo alla **PRECEDENTE** edizione del catalogo.
4. Distruggete questo foglio.

## ETIQUETAGE DU CATALOGUE

Afin d'éviter des erreurs lors de commandes de pièces de rechange, nous vous conseillons d'apposer les marquages ci-dessous à l'arrière du classeur, pour identifier les catalogues. Ce marquage indique les numéros de série pour lesquels le catalogue est adapté. Il convient de procéder de la façon suivante:

1. Retirez cette page du classeur.
2. Découpez l'étiquette de **GAUCHE** (1), et apposez-la à l'arrière de **CE** catalogue.
3. Si il y a une étiquette à **DROITE** (2), vous pourrez l'apposer sur le classeur de l'edition **PRECEDENTE** du catalogue.
4. Détruire cette feuille.

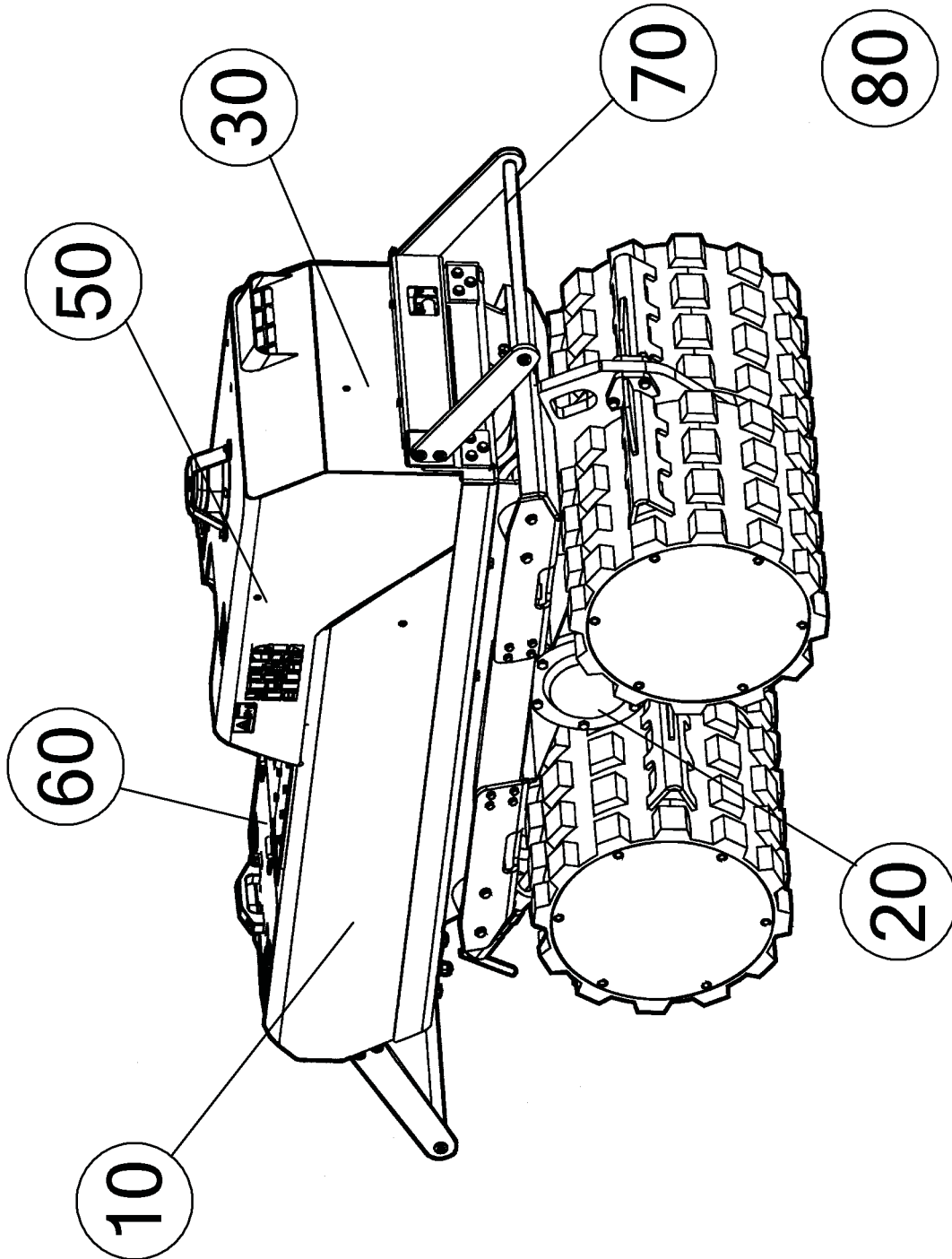
1.







<b>LP8504</b> .....	<b>2</b>
<b>Frame</b> .....	<b>4</b>
Frame and covers .....	6
Engine hood and noise supression .....	8
Lower part .....	10
Hydraulic oil tank .....	12
Fuel tank .....	14
<b>Eccentric element, drums and scrapers</b> .....	<b>16</b>
Eccentric element .....	18
Drums, standard Widht 850 mm .....	20
Scrapers for standard drums with widht 850 mm .....	22
Drums, option Widht 630 mm .....	24
Scrapers for option drums with widht 630 mm .....	26
<b>Engine, engine installation and fuel system</b> .....	<b>28</b>
Engine .....	30
Fuel system .....	32
Engine installation .....	34
<b>Hydraulic system</b> .....	<b>36</b>
Hydraulic block, hydraulic pump and cooler .....	38
Hydraulic system for drum motors .....	40
Drum motor .....	42
Hydraulic block .....	44
Hydraulic pump installation .....	46
<b>Electric equipment</b> .....	<b>48</b>
Electric equipment .....	50
Control box .....	52
<b>Push stop. throttle control and parking brake</b> .....	<b>54</b>
Push stop, front .....	56
Push stop, rear .....	58
Parking brake .....	60
<b>Decals and documentation</b> .....	<b>62</b>
Decals and documentation .....	64

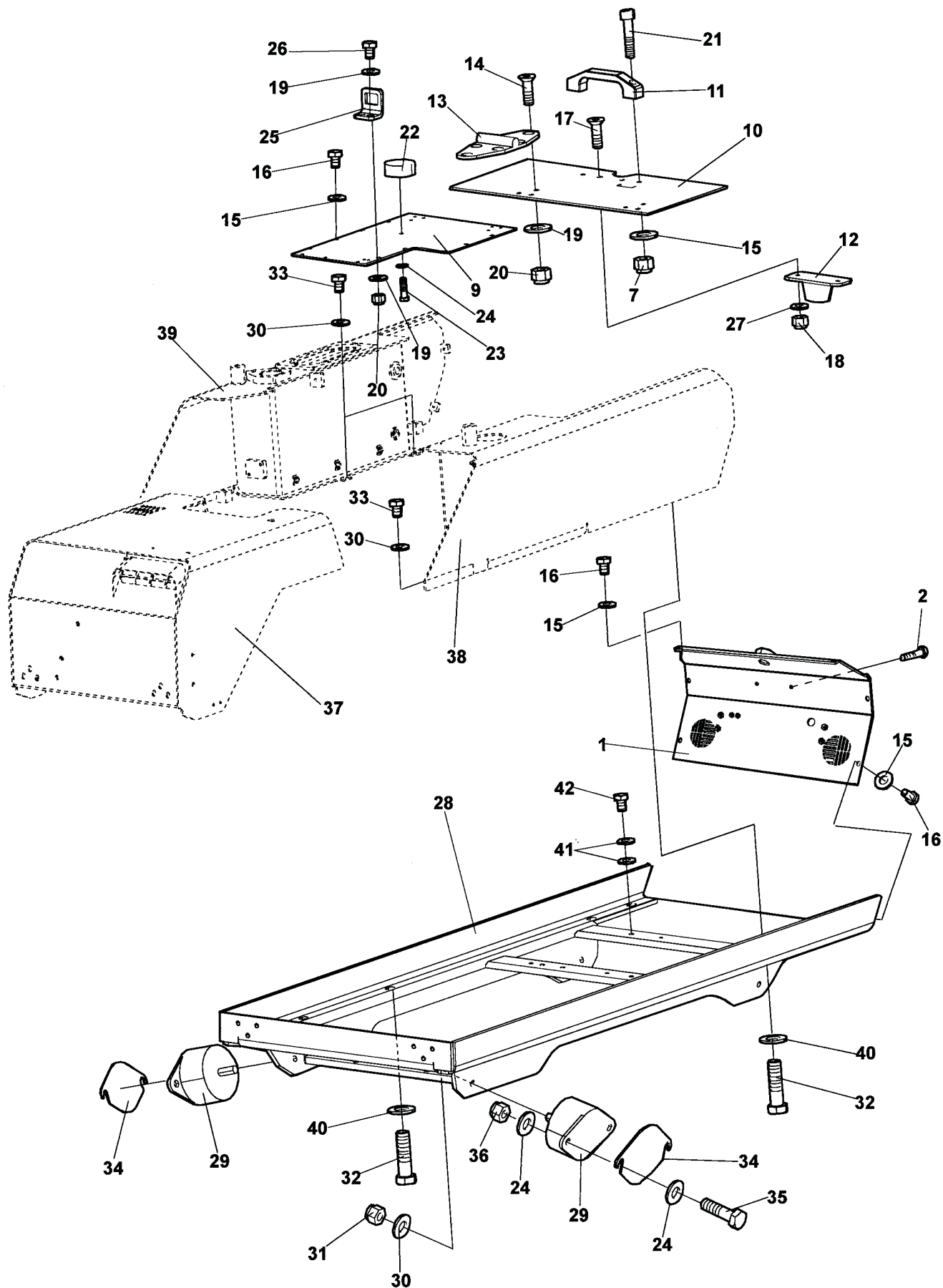


<b>Item</b>	<b>Part No</b>	<b>Rem Qty</b>	<b>Description</b>	<b>Code</b>
10			Frame ( Page 4 )	
20			Eccentric element, drums and scrapers ( Page 16 )	
30			Engine, engine installation and fuel system ( Page 28 )	
50			Hydraulic system ( Page 36 )	
60			Electric equipment ( Page 48 )	
70			Push stop, throttle control and parking brake ( Page 54 )	
80		1	Decals and documentation ( Page 62 )	



**Frame**

<b>Item</b>	<b>Part No</b>	<b>Rem Qty</b>	<b>Description</b>	<b>Code</b>
10			Frame and covers ( Page 6 )	
20			Engine hood and noise supression ( Page 8 )	
25			Lower part ( Page 10 )	
30			Hydraulic oil tank ( Page 12 )	
40			Fuel tank ( Page 14 )	



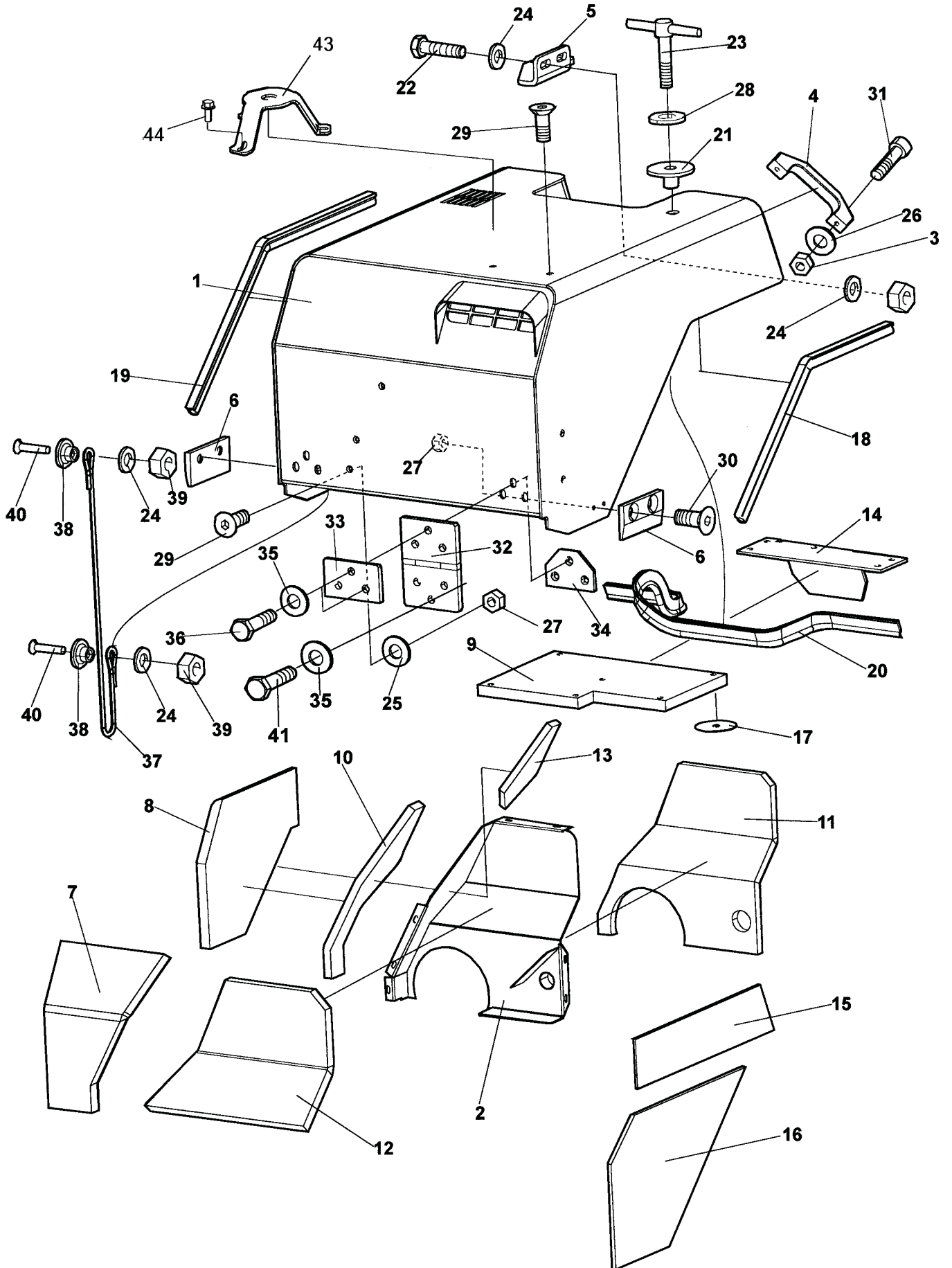
Frame and covers

Item	Part No	Rem	Qty	Description	Code
1	4812070449		1	Rear plate	
2	4700901832		2	Screw	C
6	4700500239		1	Screw	C
7	4700791182		2	Lock nut	M8
9	D388496-01		1	Cover	
10	D388495-01		1	Cover	
11	4700282284		1	Grab handle	
12	4700450066		1	Door bumper	D
13	4700928632		2	Hinge	
14	4700513012		12	Screw	M6x20 10,9
15	4700904229		16	Washer	8,4x16x1,5
16	4700500019		14	Screw	M8x16H 8.8 A2K
17	4700904504		2	Screw	M5 x 18
18	4700586001		2	Lock nut	
19	4700904228		16	Washer	6,4x12x1,5
20	4700586002		14	Lock nut	M6 -8
21	4700508056		2	Screw	M8x40
22	4700791373		1	Shock absorber	
23	4700500054		1	Screw	
24	4700904230		17	Steel plain washer	C
25	4700389772		1	Bracket	
26	4700500075		2	Screw	M6-1,0x25 8.8
27	4700904281		2	Washer	5,3x10x1 300HV
28	D388581-01		1	Frame	
29	4700288063		4	Shock absorber	B
30	4700904231		7	Steel plain washer	C
31	4700586019		4	Lock nut	C
32	4700500056		9	Screw	C
33	4700500051		3	Screw	M12x25H 8.8 A3K
34	4700288401		4	Shims	
35	4700500240		8	Screw	M10x40H 8,8
36	4700586018		8	Lock nut	C
37			1	Engine hood and noise supression	
38			1	Fuel tank ( Page 14 )	
39			1	Hydraulic oil tank	
40	4700904703		8	Washer	C
41	4700606017	A	2	Washer	External teeth
42	4700500505		1	Screw	M8x20 8.8

A) Lock washers for the electrical system's ground point. old version

**Engine hood and noise supression**

19094





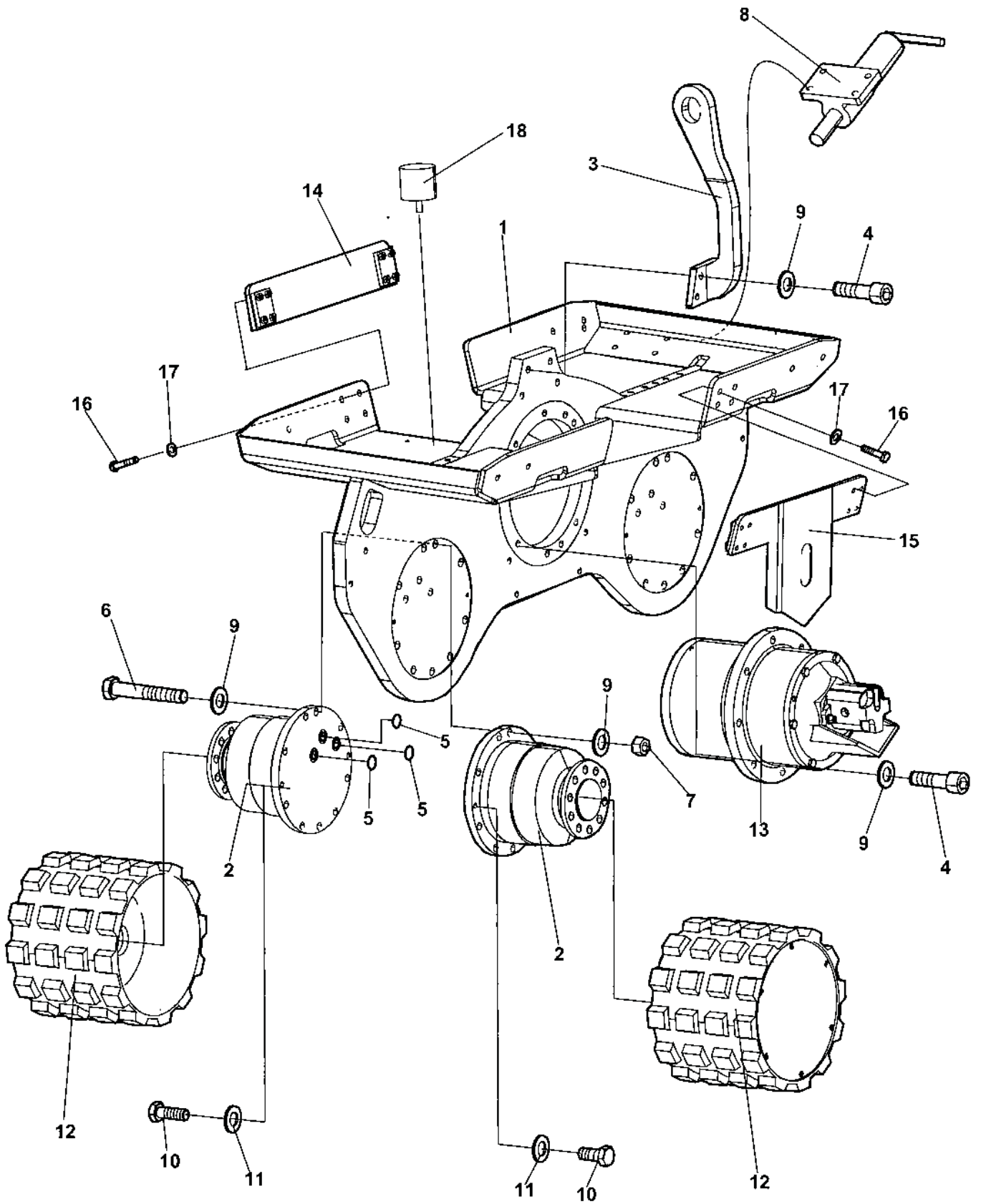
Engine hood and noise suppression

Item	Part No	Rem	Qty	Description		Code
1	4700388658		1	Hood		
2	4700388659		1	Air inlet		
3	4700570005		2	Nut	M8	C
4	4700282284		1	Grab handle		
5	4700389771		1	Bracket		
6	4700288409		2	Spacer		
7	4700288182		1	Insulating plate		
8	4700377245		1	Insulating plate		
9	4700288185		1	Insulating plate		
10	4700288187		1	Insulating plate		
11	4700288188		1	Insulating plate		
12	4700288194		1	Insulating plate		
13	4700288204		1	Insulating plate		
14	4700389830		1	Insulation		
15	4700389831		1	Insulation		
16	4700389909		1	Insulation		
17	4700373476		20	Insulating washer		C
18	4700288356	A	1XL	Edge trim		
19	4700288356	B	1XL	Edge trim		
20	4700202056	C	1XL	Edge trim		
21	4700381946		1	Flange nut		
22	4700500040		2	Screw	M6-1x20 8,8	C
23	4700288461		1	Screw		D
24	4700904228		6	Washer	6,4x12x1,5	C
25	4700904639		7	Washer	6,7x14x1,5	C
26	4700904229		2	Washer	8,4x16x1,5	C
27	4700570004		7	Nut	M6X1,00 -8 A2K	C
28	4700904232		1	Washer		C
29	4700513008		7	Screw		C
30	4700513009		4	Screw		
31	4700508048		2	Screw		C
32	4700376519		2	Hinge		
33	4700376520		4	Plate		
34	4700376521		2	Bracket		
35	4700904230		12	Steel plain washer		C
36	4700500161		7	Hexagon head screw		C
37	4700286409		1	Wire		
38	4700286410		2	Washer		
39	4700586002		2	Lock nut	M6 -8	C
40	4700513017		2	Screw	M6x30H 10,9	C
41	4700500161		6	Hexagon head screw		C
42	4700586002		2	Lock nut	M6 -8	C
43	4812070475		1	Protection		
44	4700500505		3	Screw	M8x20 8.8	

- A) L=0,61m
- B) L=0,67 m
- C) L=0,9 m

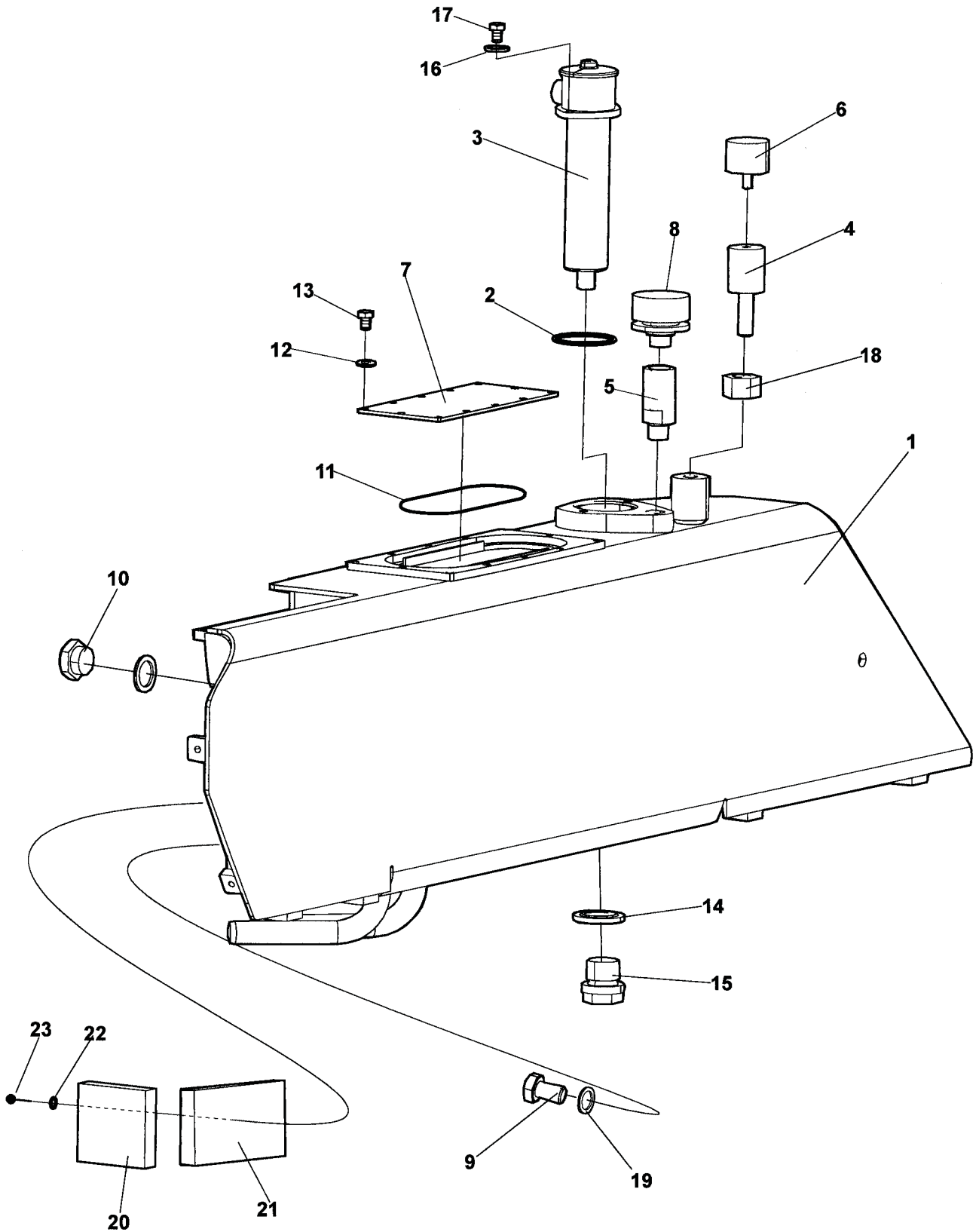
**Lower part**

17915-2



Lower part

Item	Part No	Rem Qty	Description	Code
1	4700379628	1	Lower part	
2		4	Drum motor ( Page 42 )	
3	4700378039	1	Lifting eye	
4	4700928444	12	Screw	
5	4700160009	12	O-ring	D
6	4700924762	18	Screw	
7	4700286196	18	Nut	
8		1	Parking brake ( Page 60 )	
9	4700904232	48	Washer	C
10	4700500029	8	Hexagon head screw	C
11	4700904230	8	Steel plain washer	C
12		4	Drums, standard ( Page 20 )	
13		1	Eccentric element ( Page 18 )	
14	4700378015	1	Protecting plate	
15	4700378014	1	Protecting plate	
16	4700500023	16	Screw	M8-1,25x40 8,8
17	4700904229	16	Washer	8,4x16x1,5
18	D604044183	2	Shock absorber	

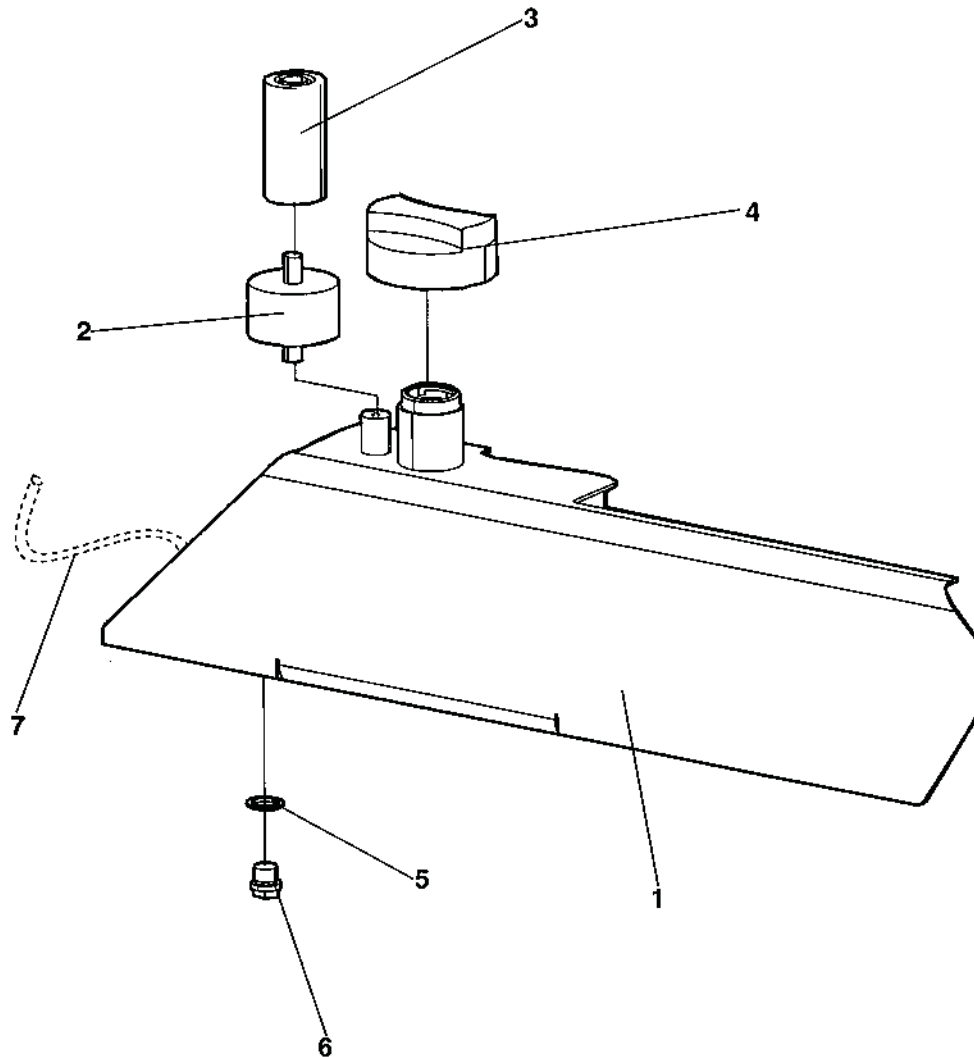


**Hydraulic oil tank**

Item	Part No	Rem Qty	Description	Code
1	D388218-01	1	Oil tank	
2	4700904375	1	O-ring	
3	4700288469	1	Hydraulic filter, cpl.	
	4700935377	1	.Filter element	A
4	4700389604	1	Stud	
5	4700388400	1	Spacer	
6	4700288460	1	Shock absorber	
7	4700388515	1	Cover	
8	4700383194	1	Air breather	
9	4700500043	1	Screw	M10x16H 8,8
				C
10	4700499127	1	Sight plug	
11	4700388514	1	O-ring	
12	4700904229	12	Washer	8,4x16x1,5
				C
13	4700500018	12	Screw	M8-1,25x12 8,8
				C
14	4700162011	1	Washer, sealing	
				D
15	4700232143	1	Plug	
16	4700162010	2	Seal ring	
				D
17	4700508028	2	Screw	
18	4700570008	1	Nut	M16 -8
				C
19	4700330328	1	Copper washer	10x14x1
20	4700389948	1	Insulation	
21	4700376642	1	Insulation	
22	4700927974	2	Washer	
23	4700624012	2	Rivet	

**Fuel tank**

17886



**Fuel tank**

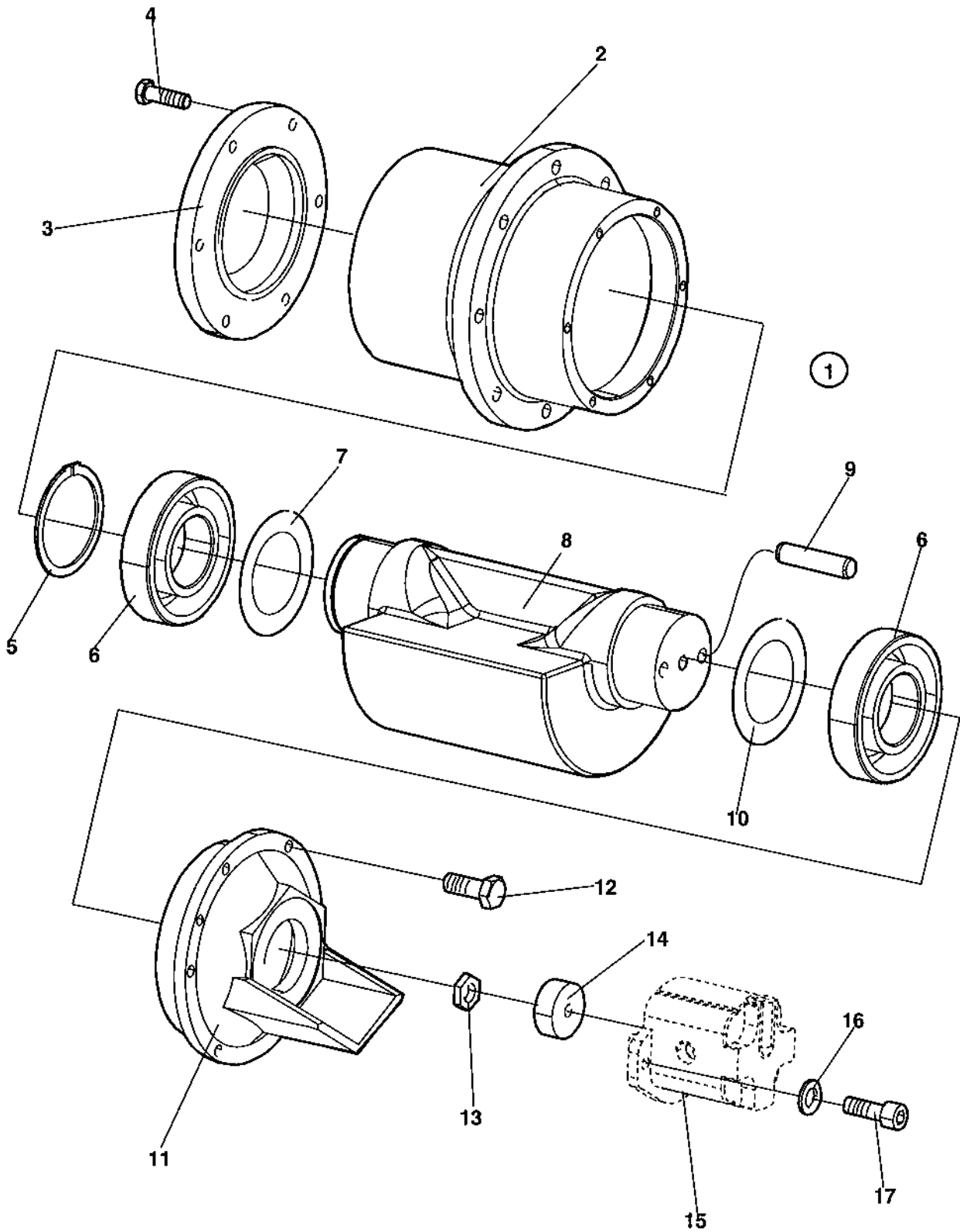
<b>Item</b>	<b>Part No</b>	<b>Rem Qty</b>	<b>Description</b>	<b>Code</b>
1	D388253-01	1	Fuel tank	
2	4700288474	1	Shock absorber	D
3	4700389603	1	Stud	
4	4700373460	1	Fuel cap	D
5	4700162011	1	Washer, sealing	D
6	4700232143	1	Plug	
7		1	Fuel system ( Page 32 )	





**Eccentric element, drums and scrapers**

<b>Item</b>	<b>Part No</b>	<b>Rem Qty</b>	<b>Description</b>	<b>Code</b>
10			Eccentric element ( Page 18 )	
20		4	Drums, standard ( Page 20 )	Widht 850 mm
25			Scrapers for standard drums with widht 850 mm ( Page 22 )	
30		4	Drums, option ( Page 24 )	Widht 630 mm
35			Scrapers for option drums with widht 630 mm ( Page 26 )	



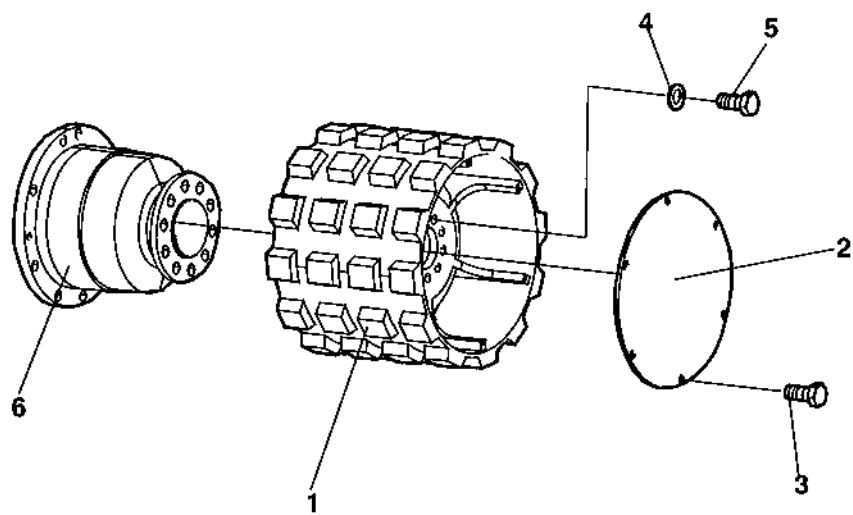
**Eccentric element**

Item	Part No	Rem	Qty	Description	Code
1			1	Eccentric element, cpl	
2	4700288065		1	Housing	
3	4700288067		1	Cover	
4	4700500194		6	Screw	C
5	4700150028		1	Snap ring	
6	4700903233		2	Bearing	
7	4700288241		1	Plate	
8	4700288068		1	Eccentric weight	
9	4700628025		2	Cylindric pin	
10	4700288232		1	Plate	
11	4700288066		1	Bearing housing	
12	4700500046		6	Screw	M12x025H C
13		A	1	Nut	C
14	4700389737		1	Coupling	
15		B	1	Hydraulic motor	
16	4700904557		2	Steel plain washer	C
17	4700508029		2	Screw	M10-1,5x30H 8,8 C

- A) Supplied with hydraulic motor
- B) See section hydraulic system for wheel motors

**Drums, standard Widht 850 mm**

17916

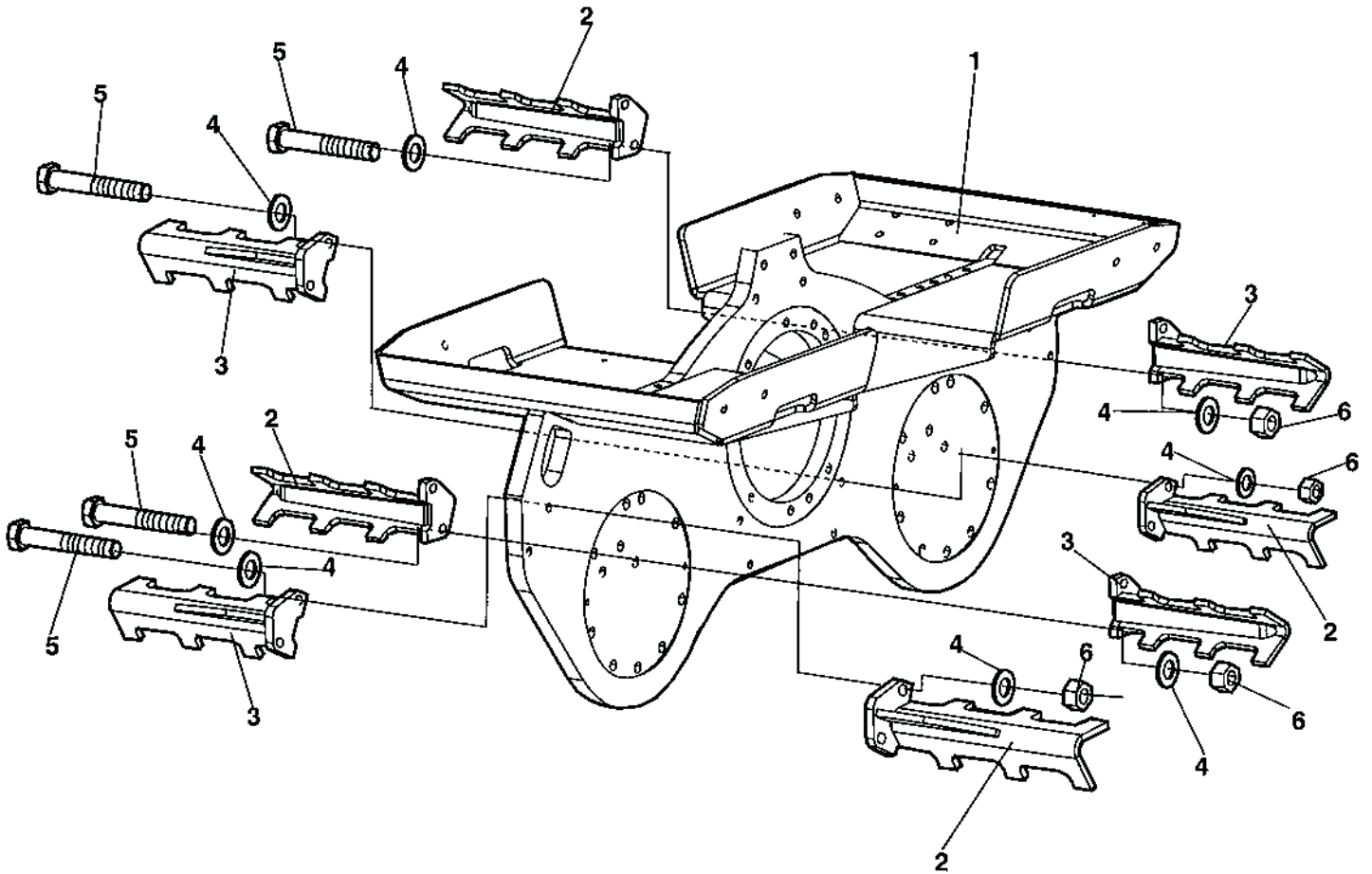


**Drums, standard Widht 850 mm**

<b>Item</b>	<b>Part No</b>	<b>Rem Qty</b>	<b>Description</b>	<b>Code</b>
1	4700288352	1	Drum	
2	4700286387	1	Cover	
3	4700500047	6	Hexagon head screw	C
4	4700904233	10	Steel plain washer	C
5	4700500205	10	Screw	
6		1	Drum motor ( Page 42 )	

Scrapers for standard drums with width 850 mm

17910



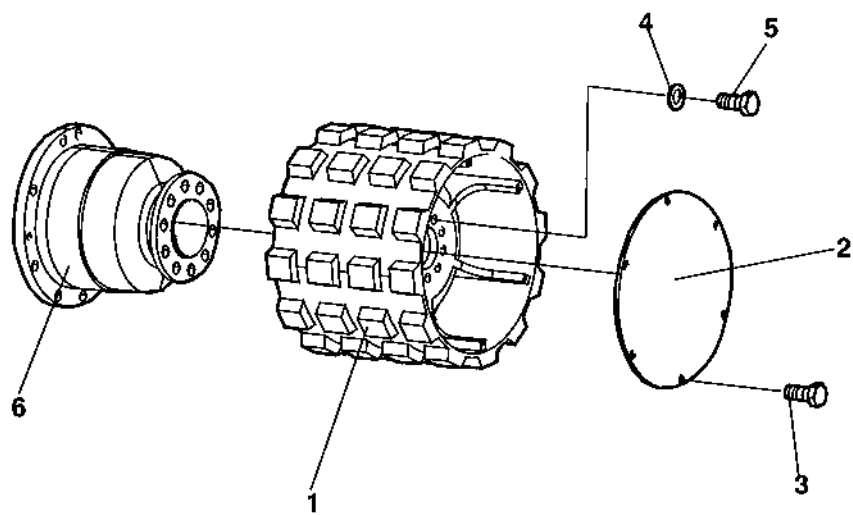
**Scrapers for standard drums with width 850 mm**

<b>Item</b>	<b>Part No</b>	<b>Rem</b>	<b>Qty</b>	<b>Description</b>	<b>Code</b>
1		A	1	Frame	
2	4700379625		4	Scraper	
3	4700379626		4	Scraper	
4	4700904231		16	Steel plain washer	C
5	4700947691		8	Screw	
6	4700792524		8	Nut	

A) See section lower part

Drums, option Widht 630 mm

17916



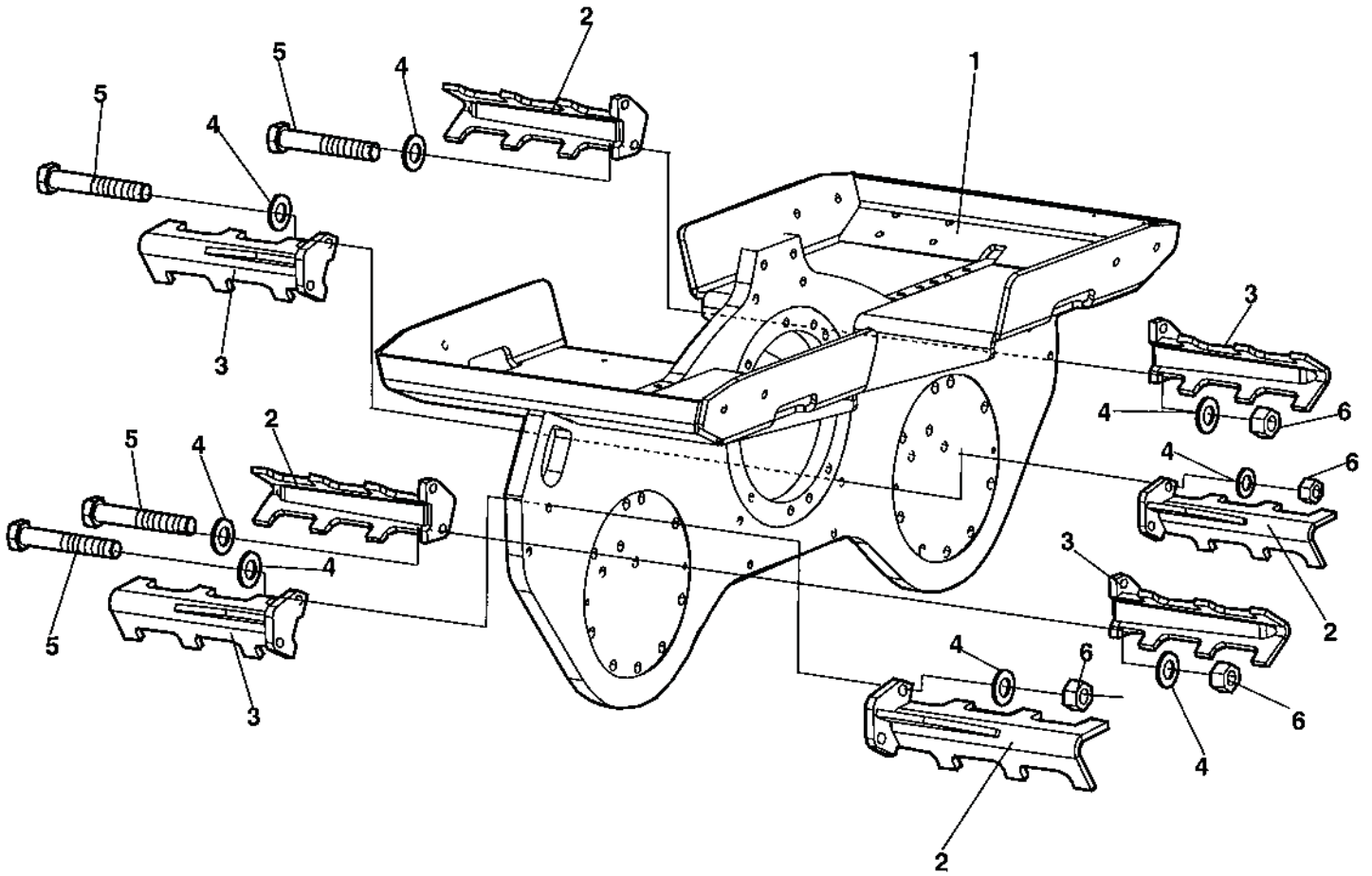


**Drums, option Widht 630 mm**

<b>Item</b>	<b>Part No</b>	<b>Rem Qty</b>	<b>Description</b>	<b>Code</b>
1	4700288359	1	Drum	
2	4700286387	1	Cover	
3	4700500047	6	Hexagon head screw	C
4	4700904233	10	Steel plain washer	C
5	4700500205	10	Screw	
6		1	Drum motor ( Page 42 )	

Scrapers for option drums with width 630 mm

17910



**Scrapers for option drums with width 630 mm**

<b>Item</b>	<b>Part No</b>	<b>Rem</b>	<b>Qty</b>	<b>Description</b>	<b>Code</b>
1		A	1	Frame	
2	4700393150		4	Scraper	
3	4700393151		4	Scraper	
4	4700904231		16	Steel plain washer	C
5	4700947691		8	Screw	
6	4700792524		8	Nut	

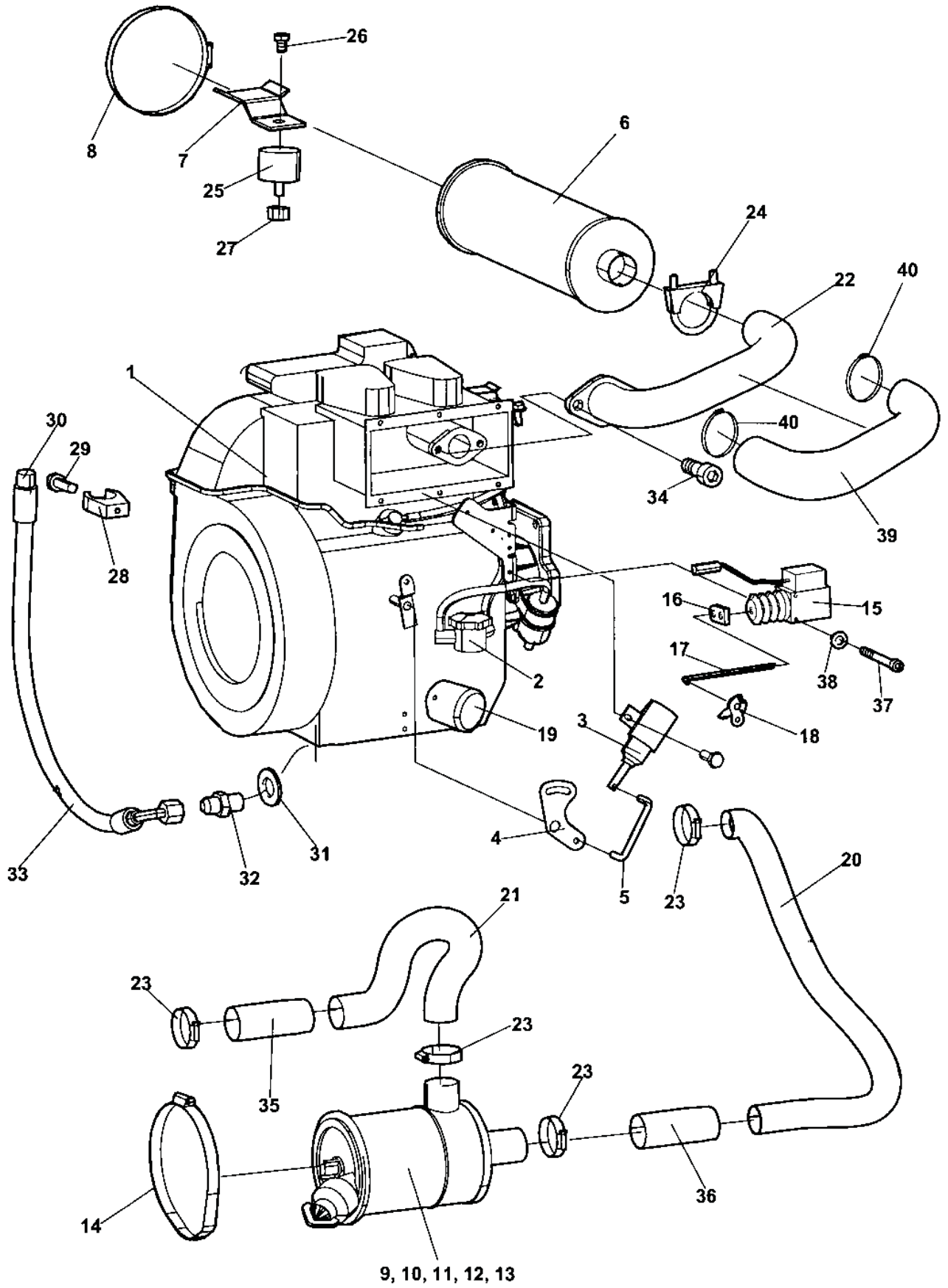
A) See section lower part



**Engine, engine installation and fuel system**

<b>Item</b>	<b>Part No</b>	<b>Rem Qty</b>	<b>Description</b>	<b>Code</b>
10			Engine ( Page 30 )	
20			Fuel system ( Page 32 )	
30			Engine installation ( Page 34 )	

**Engine**  
17882-3



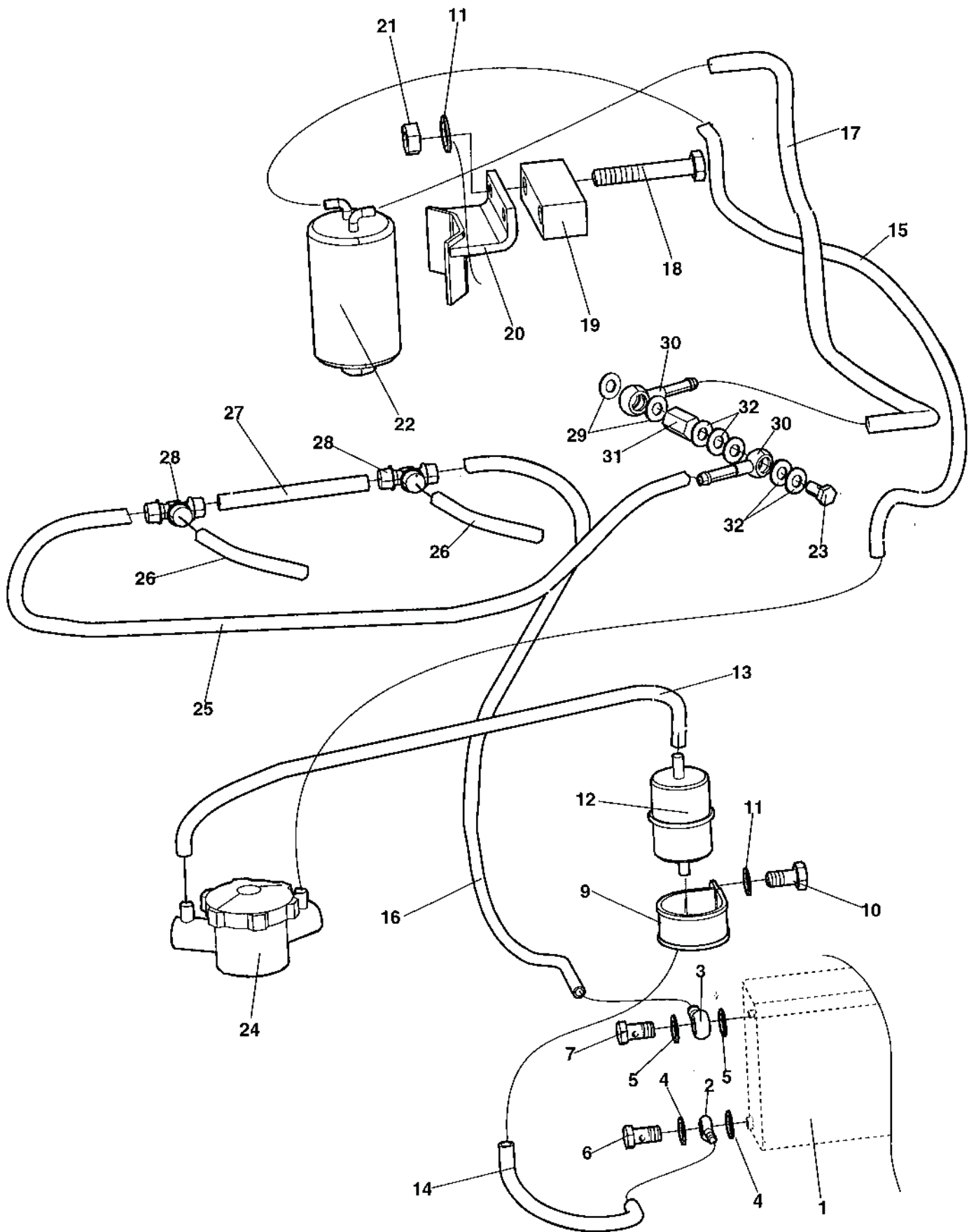
Engine

Item	Part No	Rem	Qty	Description	Code
1	4700395248		1	Engine, cpl	Hatz 2G40
	4700903346		1	Starter	
2			1	.Fuel system ( Page 32 )	
3	4700940218		1	.Solenoid	
4			1	.Bracket	
5			1	.Arm	
6	4700239592		1	.Muffler	D
7	4700378448		2	.Bracket	
8	4700239593		2	.Clamp	
9	4700239595		1	.Air filter, cpl	
10	4700239596		1	..Filter element	A
11	4700239597		1	..Nut	
12	4700239598		1	..Cover	
13	4700239599		1	..Evacuator valve	
14			1	.Clamp	
15	4700940417		1	.Solenoid	
16	4700940647		1	.Bracket	
17	4700940646		1	.Rod	
18			1	.Arm	
19	4700238380		1	.Oil filter	A
20	4700792247	C	1XL	Hose	B
21	4700792247	B	1XL	Hose	B
22	4700395064		1	Exhaust pipe	
23	4700313008		4	Hose clamp	C
24	4700313121		1	Clamp	
25	4700288329		2	Shock absorber	B
26	4700500042		2	Screw	
27	4700791182		2	Lock nut	M8
28	4700281118		1	Ryw-clips	
29	4700903386		1	Screw	
30	4700230400		1	Cap	D
31	4700747282		1	Copper washer	
32	4700288236		1	Adapter	
33	4700287336		1	Hydraulic hose	
34	4700508029		2	Screw	M10-1,5x30H 8,8
35	4700288321	D	1	Hose protection	
36	4700288321	D	1	Hose protection	
37	4700508083	A	2	Screw	
38	4700904228	A	2	Washer	6,4x12x1,5
39	4700395068	E	1XL	Insulation	
40	4700792653		2	Cable tie	

- A) Supplied with engine
- B) L = 0,44 m
- C) L = 0,88m
- D) Old version, not in use anymore
- E) L = 0,35 m

**Fuel system**

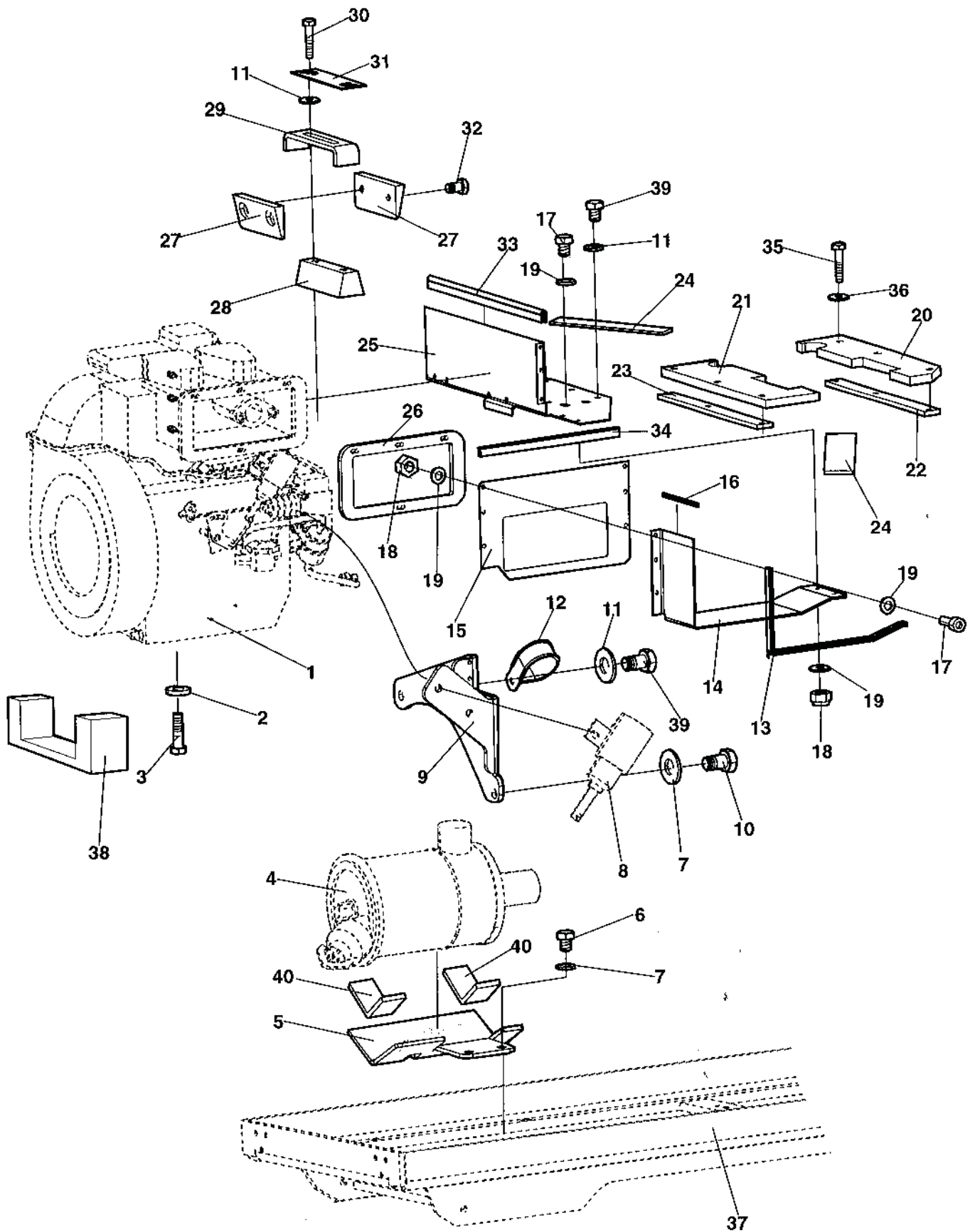
17881-2





**Fuel system**

Item	Part No	Rem Qty	Description	Code
1		1	Fuel tank ( Page 14 )	
2	4700901121	1	Banjo fitting	14x6 Hose 8
3	4700334041	1	Banjo nipple	
4	4700747282	2	Copper washer	
5	4700748115	2	Copper washer	D
6	4700330171	1	Hollow screw	C
7	4700230195	1	Hollow screw	
8	4700239673	1	Fuel hose	
9	4700283711	1	Hose clamp	
10	4700500019	1	Screw	M8x16H 8.8 A2K
11	4700904229	3	Washer	8,4x16x1,5
12	4700238360	1	Fuel filter	A
13	4700937429	1	Fuel hose	
14	4700938332	1	Fuel hose	
15	4700940612	1	Fuel hose	
16		1	Fuel hose	
17	4700940612	1	Fuel hose	
18	4700500025	2	Screw	M8-1,25x50 8,8
19	4700288301	1	Spacer	
20	4700288447	1	Bracket	
21	4700586003	2	Lock nut	M8
22	4700239602	1	Fuel filter with separator	A
23	4700238382	1	Hollow screw	
24	4700238378	1	Injection pump	
	4700938313	1	Shim	
	4700938314	1	Shim	
25	4700238356	1	Fuel hose	
26	4700940610	2	Fuel hose	
27	4700238353	1	Fuel hose	
28	4700940611	2	T-connection	
29	4700748478	2	Washer	
30	4700238363	2	Banjo nipple	
31	4700238347	1	Nipple	
32	4700936907	4	Washer	



**Engine installation**

Item	Part No	Rem	Qty	Description	Code
1		A		Engine ( Page 30 )	
2	4700904231		8	Steel plain washer	C
3	4700500031		8	Screw	C
4		A	1	Air filter	C
5	4700388656		1	Air filter bracket	
6	4700500053		2	Screw	M8x20H 8.8 C
7	4700904229		5	Washer	8,4x16x1,5 C
8		A	1	Solenoid	C
9	4700940609		1	Bracket	
10	4700500019		1	Screw	M8x16H 8.8 A2K C
11	4700904230		9	Steel plain washer	C
12	4700921119		2	Pipe clamp	C
13	4700287724	C	1XL	Edge trim	
14	4700288117		1	Plate	
15	4700288116		1	Plate	
16	4700287724	D	1XL	Edge trim	
17	4700508002		8	Screw	M6x16 C
18	4700570004		8	Nut	M6X1,00 -8 A2K C
19	4700904228		16	Washer	6,4x12x1,5 C
20	4700378147		1	Gasket	
21	4700378146		1	Gasket	
22	4700288353		1	Plate	
23	4700288354		1	Plate	
24	4700297018	B	2XL	Rubber strip	C
25	4700288118		1	Plate	
26	4700288332		1	Gasket	
27	4700288416		2	Key	
28	4700393359		1	Key	
29	4700381803		1	Plate	
30	4700500296		2	Screw	C
31	4700383839		1	Lock washer	
32	4700500188		4	Screw	M8-1,25x14 8,8
33	4700288177	E	1XL	Edge trim	
34	4700287724	F	1XL	Edge trim	
35	4700500015		6	Screw	M6-1x30 8,8 C
36	4700928381		6	Washer	6,4x18x1,6 C
37				Frame	C
38	4700288098		1	Air guide	
39	4700500028		6	Screw	C
40	4700202046		2XL	Rubber strip	25x10
			1		

- A) See section engine
- B) L=0,12m
- C) L=0,56m
- D) L=0,26m
- E) L=0,43m
- F) L=0,46m

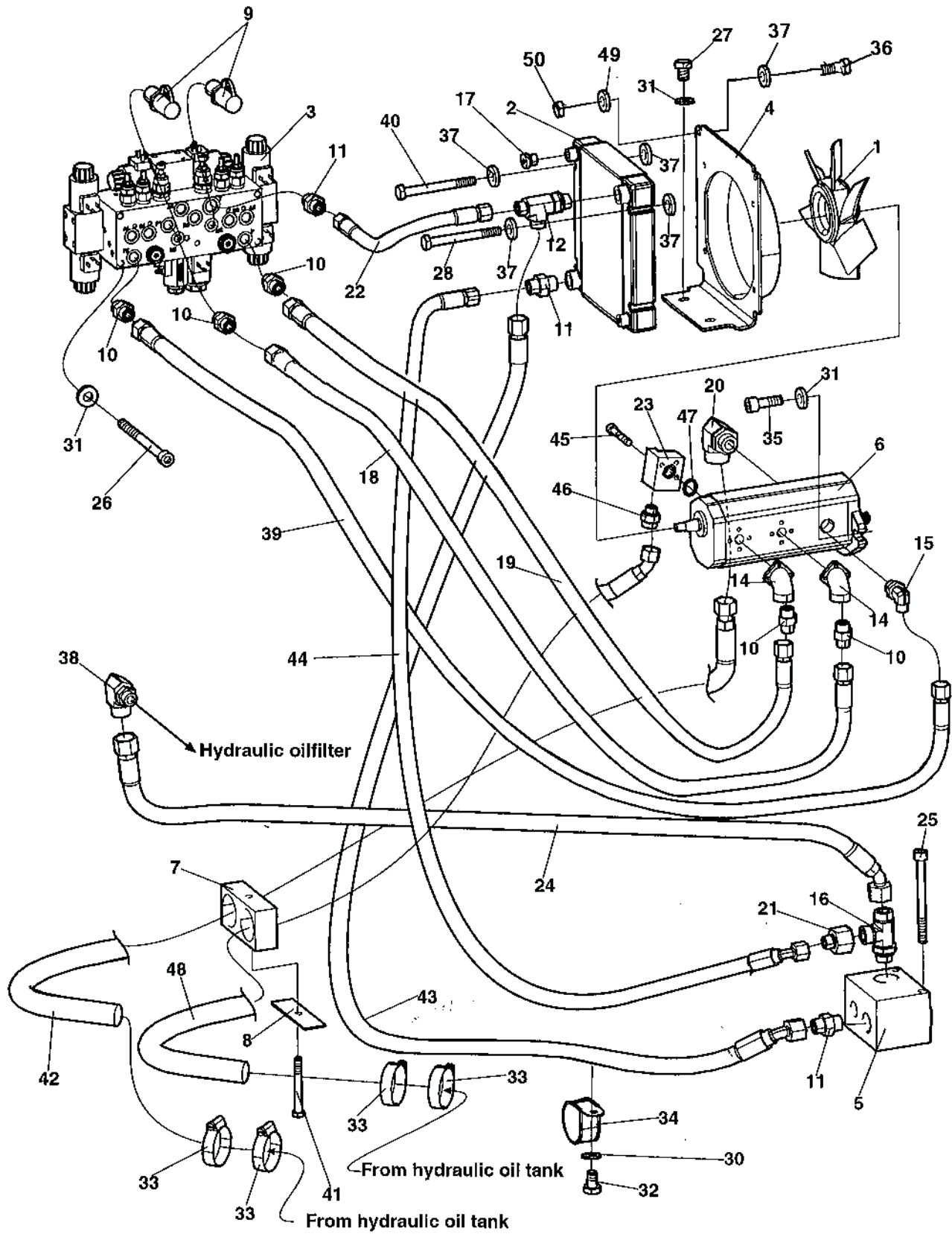


**Hydraulic system**

<b>Item</b>	<b>Part No</b>	<b>Rem Qty</b>	<b>Description</b>	<b>Code</b>
10			Hydraulic block, hydraulic pump and cooler ( Page 38 )	
20			Hydraulic system for drum motors ( Page 40 )	
30			Drum motor ( Page 42 )	
40			Hydraulic block ( Page 44 )	
50			Hydraulic pump installation ( Page 46 )	

**Hydraulic block, hydraulic pump and cooler**

17929-2

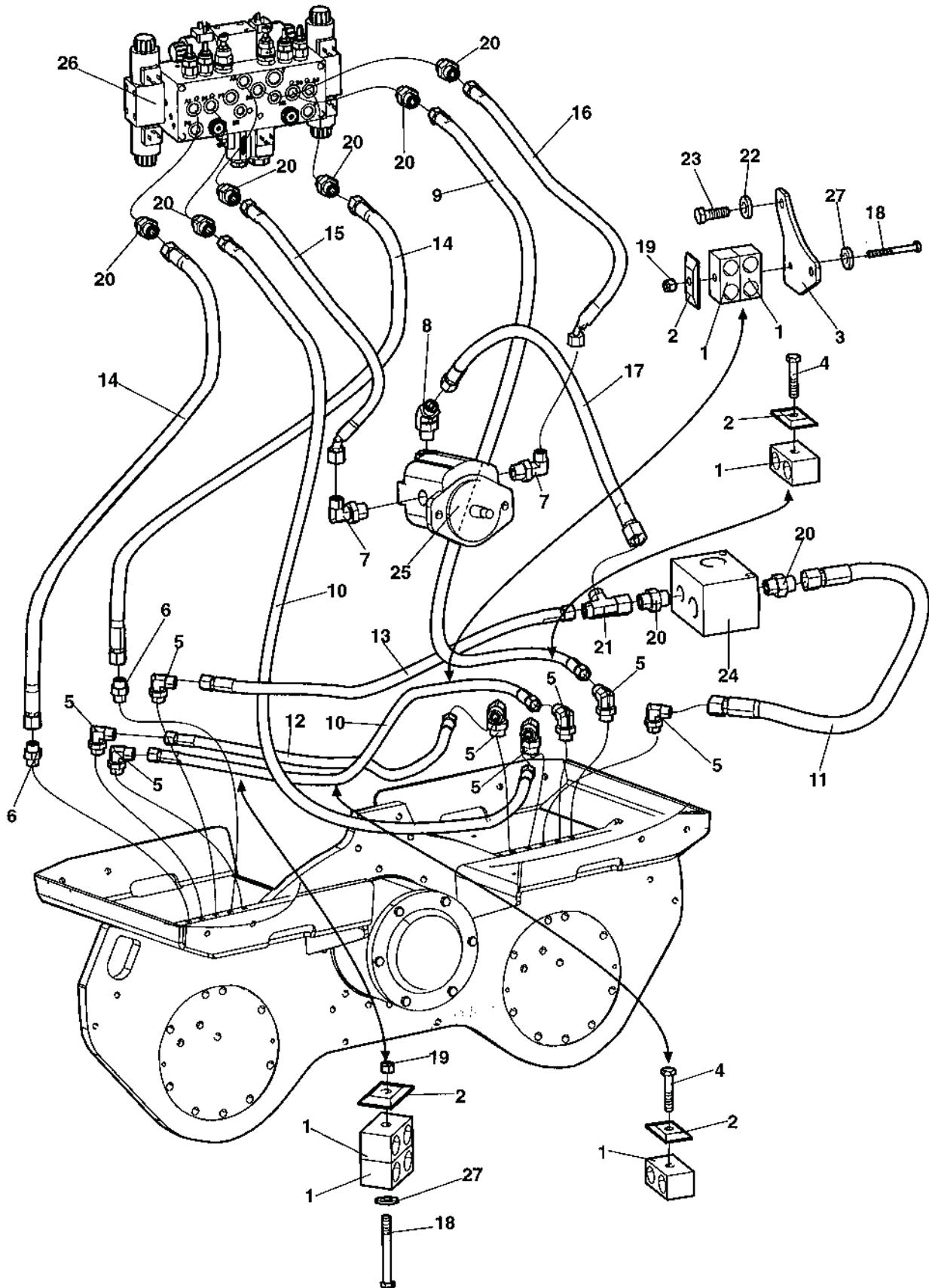


Hydraulic block, hydraulic pump and cooler

Item	Part No	Rem Qty	Description	Code
1	4700382315	1	Fan	
2	4700394362	1	Hydraulic oil cooler	
3		1	Hydraulic block ( Page 44 )	
4	4700396554	1	Cooler bracket	
5	4700389738	1	Hydraulic block	
6	4700388223	1	Hydraulic pump	
7	4700792252	1	Pipe clamp	
8	4700791932	1	Plate	
9	4700923405	2	Measuring nipple	C
10	4700791404	5	Straight o-ring connector	
11	4700791407	3	Straight o-ring connector	
12	4700791792	1	Tee-connector	
13	4700791414	1	T-connection, O-ring with swivel	C
14	4700377238	2	Connection	
15	4700791399	1	Elbow 90, O-ring	
16	4700791793	1	Tee-connector	
17	4700791714	1	Plug	
18	4700483632	1	Hydraulic hose	
19	4700483687	1	Hydraulic hose	
20	4700791400	1	Elbow 90, O-ring	
21	4700791791	1	Reducer	
22	4700483638	1	Hydraulic hose	
23	4700376547	1	Flange	
24	4700483642	1	Hydraulic hose	
25	4700508070	2	Screw	
26	4700791710	4	Screw	
27	4700500028	2	Screw	C
28	4700500026	3	Screw	M8-1,25x60 8,8
30	4700904230	1	Steel plain washer	C
31	4700904557	8	Steel plain washer	C
32	4700513023	1	Screw	
33	4700313035	4	Hose clamp	
34	4700903703	1	Clamp	
35	4700508029	2	Screw	M10-1,5x30H 8,8
36	4700500022	2	Screw	M8x30H 8.8 A2K
37	4700904556	9	Washer	8,4x16x3,0
38	4700791761	1	Elbow 90	
39	4700483627	1	Hydraulic hose	
40	4700500190	1	Screw	
41	4700500189	1	Screw	C
42	4700376580	1	Hydraulic hose	
43	4700483686	1	Hydraulic hose	
44	4700483685	1	Hydraulic hose	
45	4700508026	3	Screw	
46	4700791631	1	Straight connector	
47	4700160155	1	O-ring	
48	4700376581	1	Hydraulic hose	
49	4700904229	2	Washer	8,4x16x1,5
50	4700570005	2	Nut	M8

Hydraulic system for drum motors

17931-2





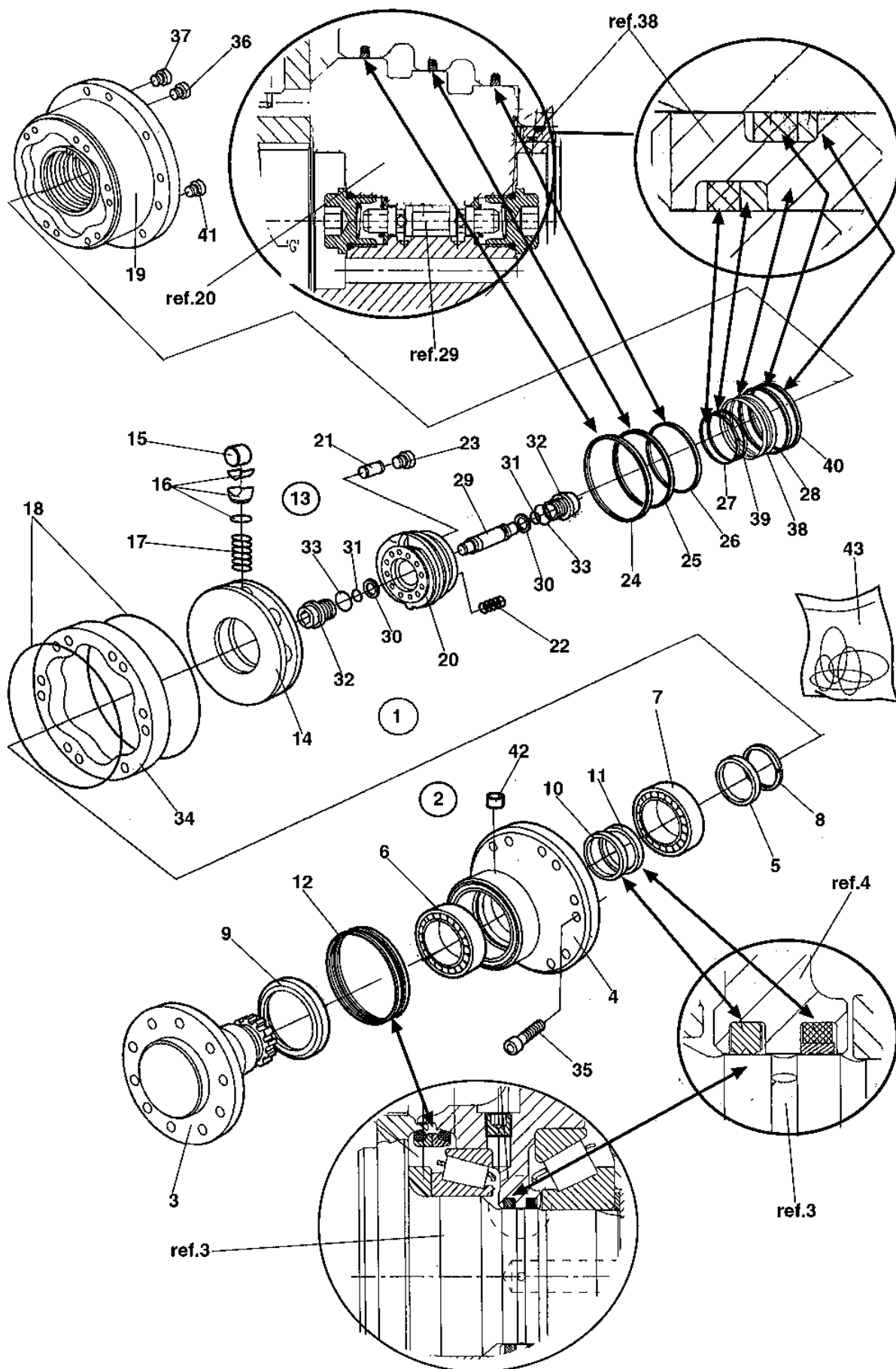
Hydraulic system for drum motors

Item	Part No	Rem	Qty	Description		Code
1	4700288161		6	Clamp		
2	4700288162		4	Cover plate		
3	4700388520		1	Bracket		
4	4700500024		2	Screw	M8x45	C
5	4700791398		8	Elbow 90, O-ring		
6	4700791404		2	Straight o-ring connector		
7	4700791399		2	Elbow 90, O-ring		
8	4700791397		1	Elbow 90, O-ring		
9	4700483629		1	Hydraulic hose		
10	4700483671		2	Hydraulic hose		
11	4700483631		1	Hydraulic hose		
12	4700483632		1	Hydraulic hose		
13	4700483633		1	Hydraulic hose		
14	4700483634		2	Hydraulic hose		
15	4700483892		1	Hydraulic hose		
16	4700483636		1	Hydraulic hose		
17	4700483631		1	Hydraulic hose		
18	4700500190		2	Screw		
19	4700586003		2	Lock nut	M8	C
20	4700791404		7	Straight o-ring connector		
21	4700791414		1	T-connection, O-ring with swivel		C
22	4700904230		2	Steel plain washer		C
23	4700500028		2	Screw		C
24		A	1	Hydraulic block		C
25	4700389522		1	Hydraulic motor		
26			1	Hydraulic block ( Page 44 )		
27	4700904229		2	Washer	8,4x16x1,5	C

A) See section hydraulic block, hydraulic pump and cooler

**Drum motor**

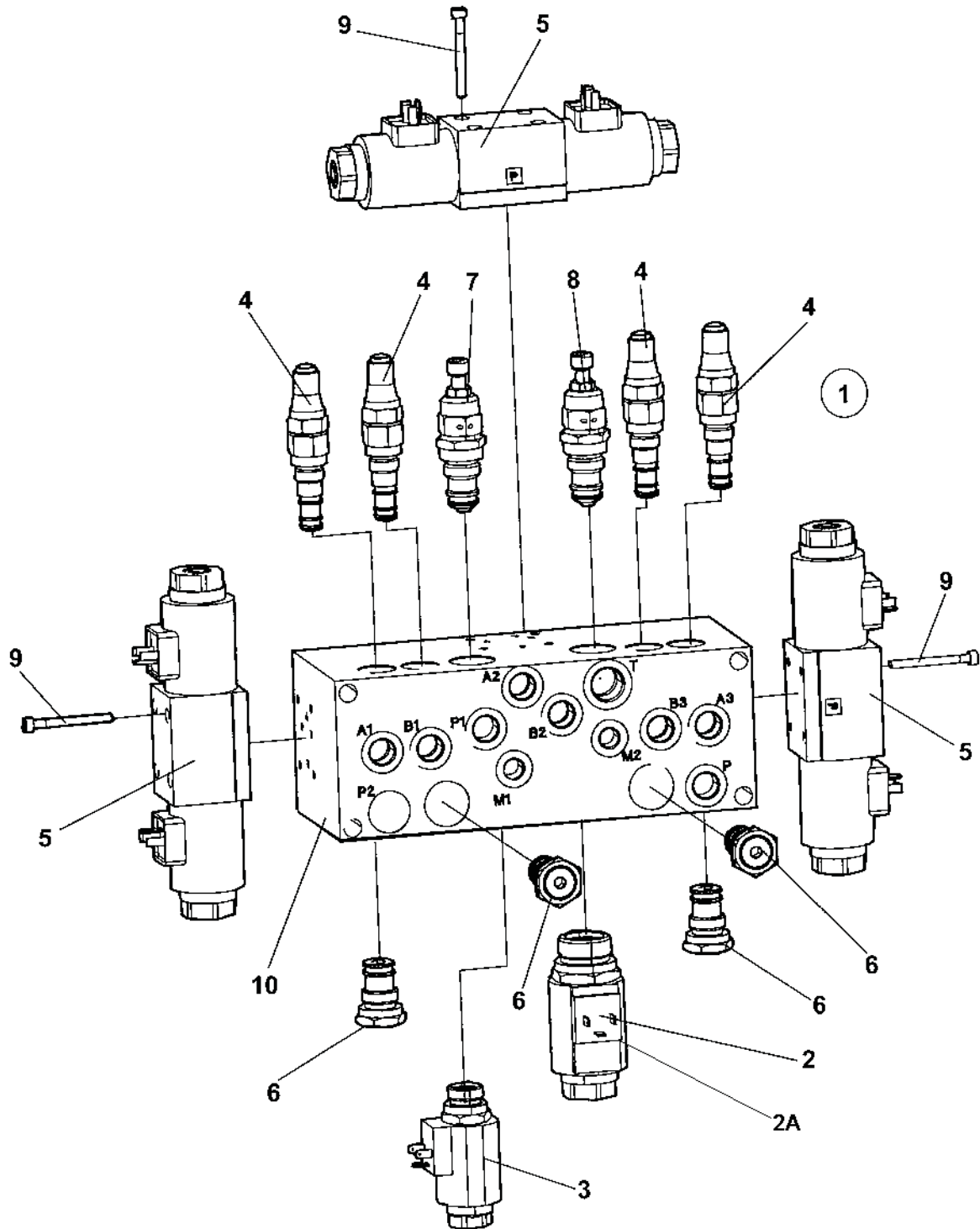
18173



**Drum motor**

Item	Part No	Rem	Qty	Description	Code
1	4700378700		1	Drum motor	
2	4700940619		1	.Housing, cpl	
3		A	1	..Shaft	
4		A	1	..Housing	
5	4700940620		1	..Washer	
6	4700939811		1	..Bearing	
7	4700940621		1	..Bearing	
8	4700940622		1	..Split ring	
9	4700939814		1	..Spacer ring	
10		B	1	..Seal	
11		B	1	..Seal	
12		B	1	.Seal	
13	4700940623		1	.Rotating group	
14	4700935981		1	..Cylinder block	
15		A	8	..Roller	
16		A	8	..Piston	
17	4700935983		8	..Spring	
18	4700909681	B	2	.O-ring	
19	4700940624		1	.Rear housing	
20	4700940625		1	.Distributor ring	
21	4700935988		1	.Dowel	
22	4700902398		9	.Spring	
23	4700935989		1	.Plug	
24		B	1	.Seal	
25		B	1	.Seal	
26		B	1	.Seal	
27		B	1	.Seal	
28		B	1	.Back-up ring	
29	4700940626		1	.Spool flushing	
30	4700939825		2	.Washer	
31	4700935997		2	.Spring	
32	4700935998		2	.Plug	
33		B	2	.O-ring	
34	4700935981	C	1	.Cylinder block	
35	4700936001		12	.Screw	
36	4700936003		2	.Plug	
37	4700936002		1	.Plug	
38	4700940627		1	.Seal ring	
39		B	1	.Back-up ring	
40		B	1	.Back-up ring	
41	4700940628		1	.Plug	
42	4700939219		1	.Plug	
43	4700940644		1	.Seal kit	

- A) Not sold separately
- B) Not sold separately, included in gasket kit P/N 939810
- C) Included in complete rotating group, item 13



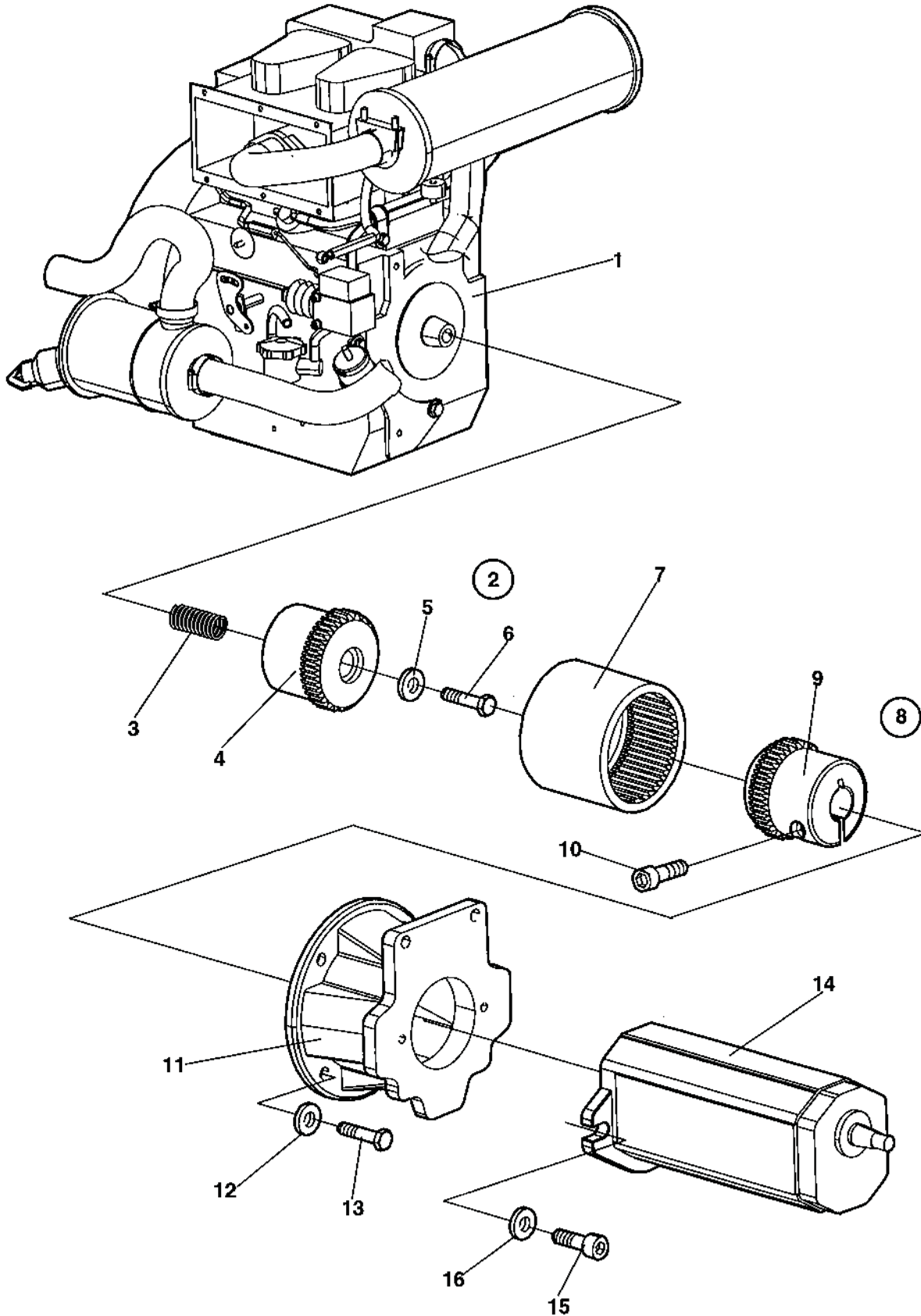
**Hydraulic block**

Item	Part No	Rem Qty	Description	Code
1	4700388222	1	Valve block	
2	4700940781	1	.Main valve	
	4700950285	A 1	Gasket kit	
3	4700940782	1	.High speed valve	
4	4700940790	4	.Cross over valve	
5	4700945740	3	.Control valve	
6	4700945739	4	.Non return valve	
7	4700945741	1	.Valve	
8	4700945826	1	.Valve	
9		12	.Scew	M5x50
10		1	.Block	Not sold separately

A) Consist of two(2) O-rings and one(1) backup ring

**Hydraulic pump installation**

18191



## Hydraulic pump installation

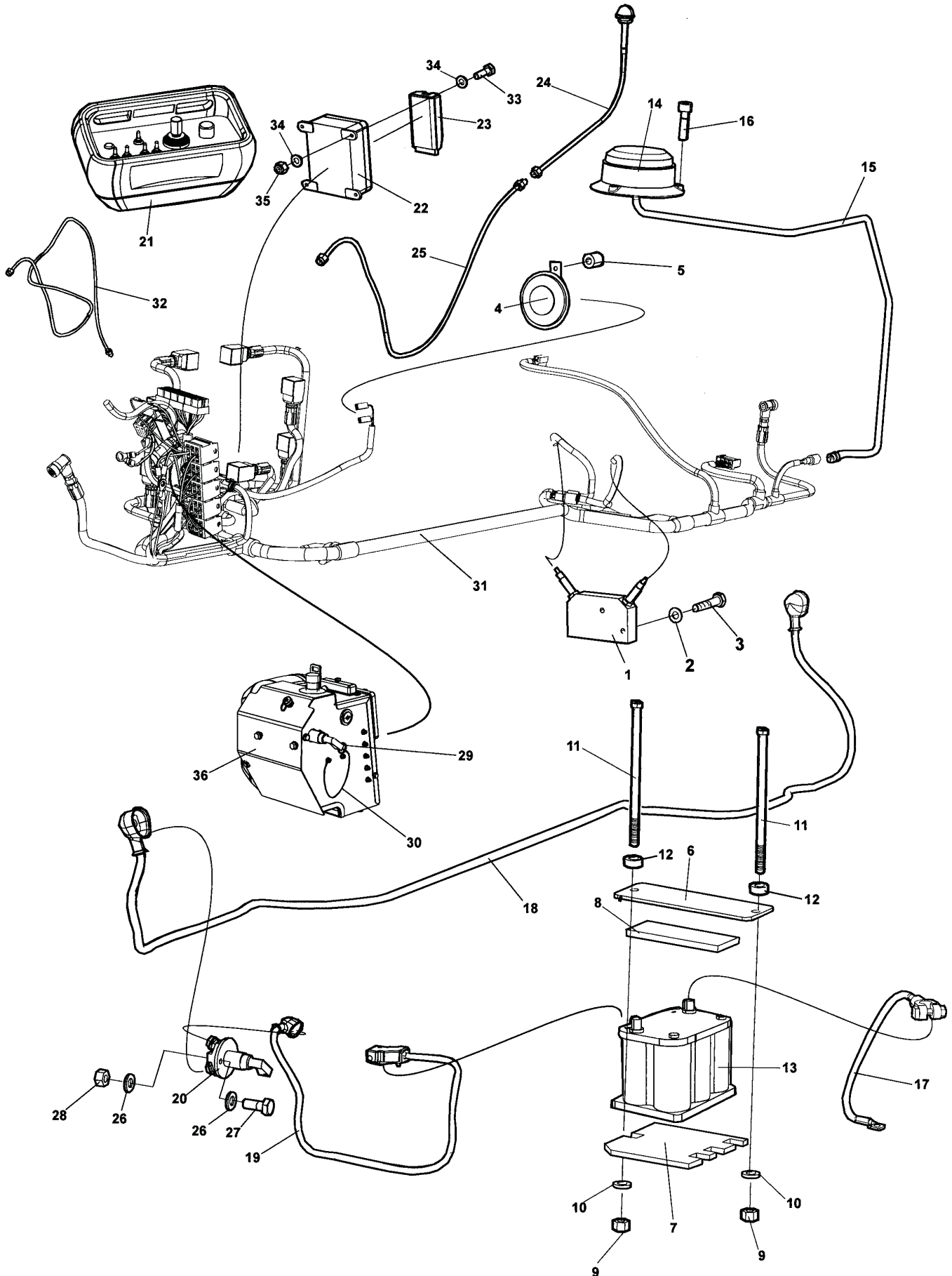
Item	Part No	Rem Qty	Description	Code
1		1	Engine	
2	4700939230	1	Flexible clutch, cpl	
3	4700909528	1	.Threaded insert	
4	4700940691	1	.Engine hub	C
5	4700940692	1	.Washer	C
6	4700940693	1	.Screw	
7	4700239600	1	.Clutch housing	
8	4700239601	1	Pump hub, cpl	
9		1	.Hub	
10		1	.Screw	
11	4700239605	1	Adapter	
12	4700238366	4	Washer	
13	4700940694	4	Screw	
14		1	Hydraulic pump	
15	4700904557	2	Steel plain washer	C
16	4700508029	2	Screw	C
			M10-1,5x30H 8,8	





**Electric equipment**

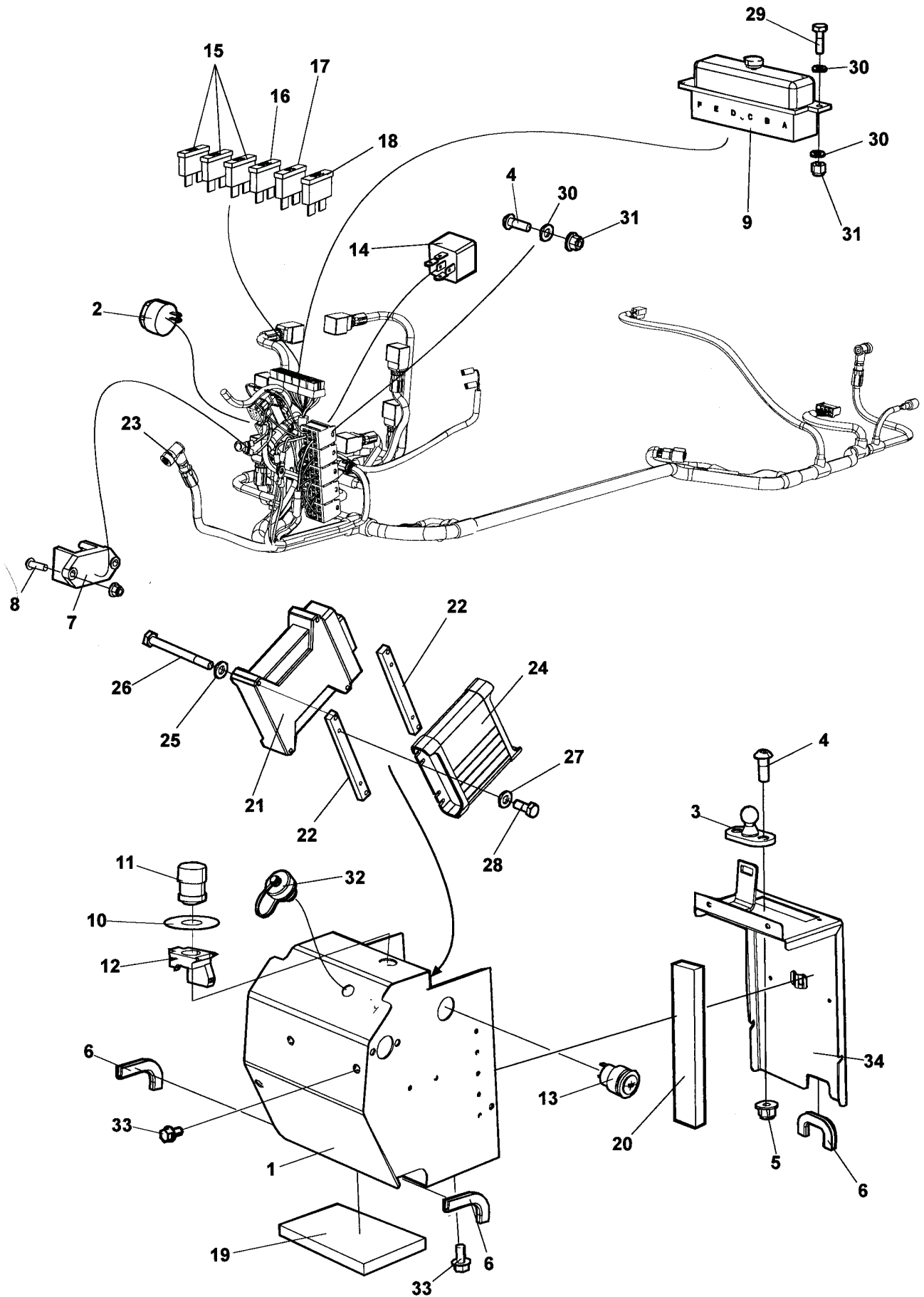
<b>Item</b>	<b>Part No</b>	<b>Rem Qty</b>	<b>Description</b>	<b>Code</b>
10		1	Electric equipment ( Page 50 )	
20		1	Control box ( Page 52 )	



<b>Item</b>	<b>Part No</b>	<b>Rem Qty</b>	<b>Description</b>	<b>Code</b>
1	4700388765	1	Tilt switch	
2	4700904229	2	Washer	8,4x16x1,5 C
3	4700500047	2	Hexagon head screw	C
4	4700999027	1	Horn	B
5	4700357278	1	Spacer sleeve	
6	4700388574	1	Holder	
7	4700388573	1	Insulation	
8	4700388577	1	Insulation	
9	4700586019	2	Lock nut	C
10	4700904703	2	Washer	C
11	4700791136	2	Screw	M12x240 8,8
12	4700359989	2	Spacer sleeve	
13	4700394643	1	Battery	
14	4811000162	1	Flashing beacon	
15	4812070476	1	Cable harness	
16	4700508020	3	Screw	C
17	4700791752	1	Battery cable	-
18	4700791092	1	Connection cable	
19	4700791751	1	Battery cable	+
20	4700357567	1	Battery switch, cpl	D
21	4812070401	1	Transmitter	
22	4812070414	1	Battery charger	
23	4812070404	1	Battery	
24	4812070403	1	Antenna	
25	4812070477	1	Cable	
26	4700904229	4	Washer	8,4x16x1,5 C
27	4700500053	2	Screw	M8x20H 8.8 C
28	4700570005	2	Nut	M8 C
29	4700358254	1	Key-ring	
30	4700376008	1	Wire	
31	4812070082	1	Cable harness	
32	4811000254	1	Transmitter cable	
33	4700500068	4	Screw	M08x65 C
34	4700904698	4	Washer	C
35	4700923976	4	Nut	C
36		1	Control box ( Page 52 )	

**Control box**

19096



**Control box**

Item	Part No	Rem Qty	Description	Code
1	4812070416	1	Control box	
2	4700385599	1	Buzzer	B
3	4700791169	1	Door bumper	D
4	4700904696	7	Screw	C
5	4700902284	4	Nut	M5 C
6	4700202028	1	Edge trim	D
7	4700392930	1	Junction box	D
8	4700904653	2	Screw	M5x16 A2-70 C
9	4700901256	1	Fuse box	D
10	4811000128	1	Dekal	
11	4700389839	1	Emergency stop	
12	4700389840	1	Connector	
13	4812110560	1	Power socket	12V
14	4700903956	5	Relay	A
15	4700901227	3	Fuse	10A A
16	4700903741	1	Fuse	20A Yellow Medium A
17	4700901225	1	Fuse	5A A
18	4700901230	1	Fuse	30A
19	4812070687	1	Insulation	
20	4812070686	1	Insulation	
21	4812070405	1	ECU	
22	4812070443	2	Bracket	
23	4811000179	1	Limit switch	
24	4812070402	1	Radio receiver	
25	4700904228	4	Washer	6,4x12x1,5 C
26	4700500187	4	Screw	M6x60
27	4700904281	4	Washer	5,3x10x1 300HV C
28	4700500004	4	Screw	M5 0,8x12 8,8 C
29	4700500086	2	Screw	C
30	4700904698	7	Washer	C
31	4700923976	2	Nut	C
32	4811000159	1	Protective cap	
33	4700901832	4	Screw	C
34	4812070222	1	Cover	

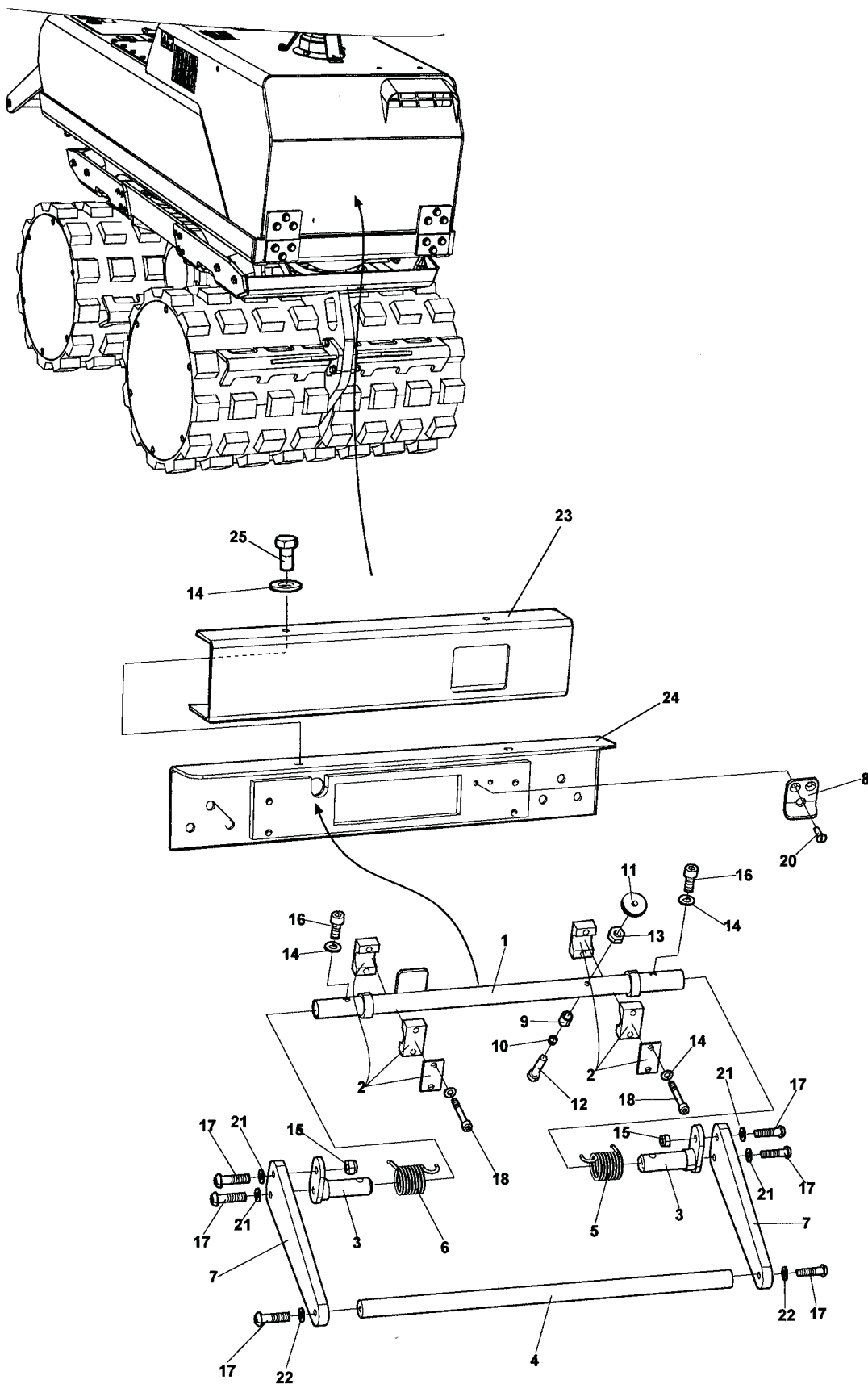
**Push stop, throttle control and parking brake**

**Push stop, throttle control and parking brake**

<b>Item</b>	<b>Part No</b>	<b>Rem Qty</b>	<b>Description</b>	<b>Code</b>
10			Push stop, front ( Page 56 )	
20			Push stop, rear ( Page 58 )	
30			Parking brake ( Page 60 )	

**Push stop, front**

19090



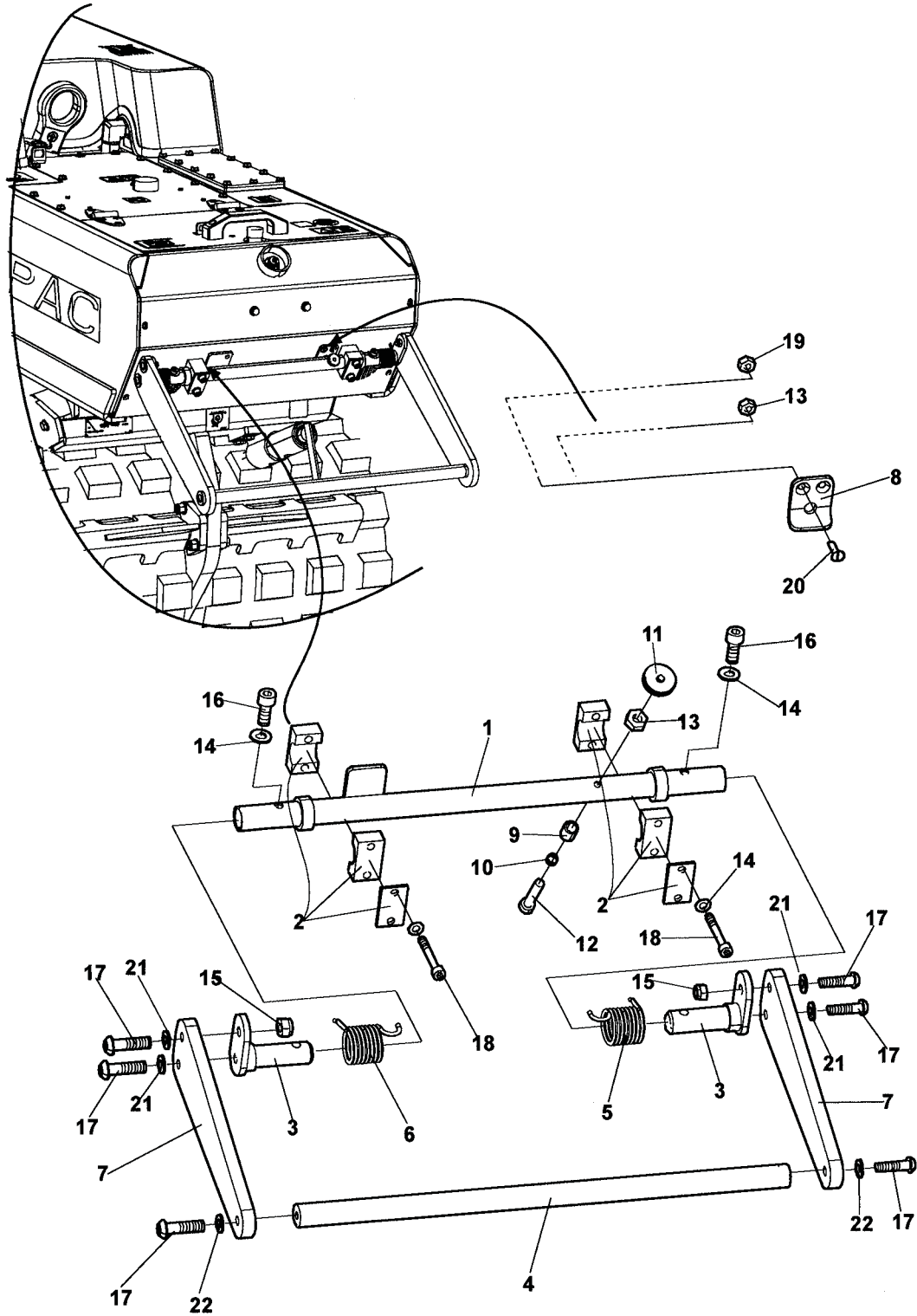


Push stop, front

Item	Part No	Rem Qty	Description	Code	
1	4812070444	1	Shaft		
2	4700377544	2	Clamp		
3	4812070436	2	Bracket		
4	4812070440	1	Handle		
5	4812070435	1	Spring		
6	4812070439	1	Spring		
7	4812070408	2	Lever		
8	4700377550	1	Stop		
9	4700377549	1	Spacer		
10	4700377548	1	Spring		
11	4700377551	1	Knob		
12	4700791322	1	Screw	M6 x 35	
13	4700570004	3	Nut	M6X1,00 -8 A2K	C
14	4700904229	8	Washer	8,4x16x1,5	C
15	4700791182	2	Lock nut	M8	
16	4700508092	2	Screw		C
17	4700792107	6	Screw		
18	4700508076	4	Screw		
19	4700570005	4	Nut	M8	C
20	4700535015	2	Screw		
21	4700904654	6	Screw		
22	4700603009	2	Washer		C
23	4812070407	1	Cover		
24	4812070406	1	Bracket		
25	4700500019	2	Screw	M8x16H 8.8 A2K	C

**Push stop, rear**

19087

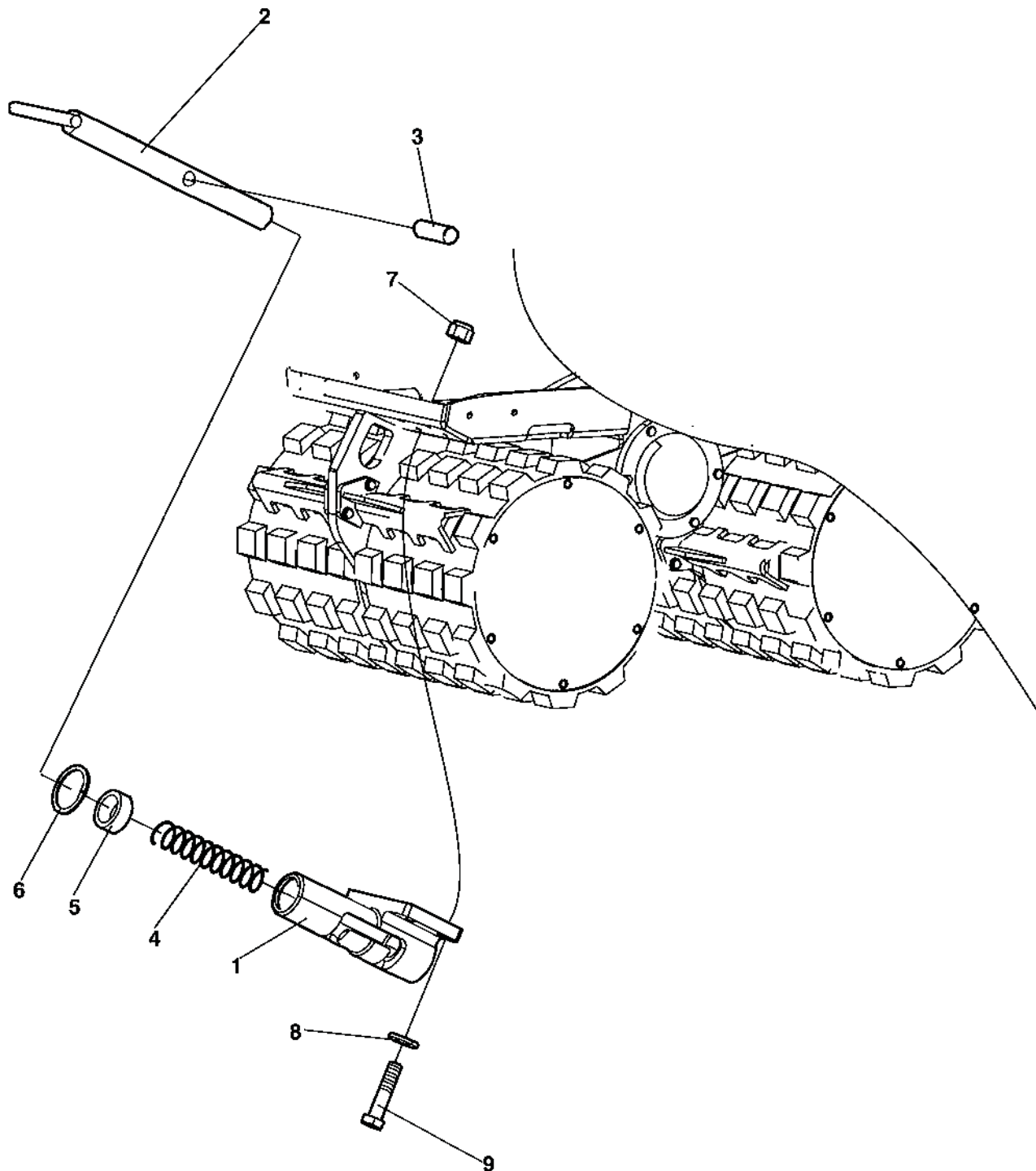


Push stop, rear

Item	Part No	Rem Qty	Description	Code	
1	4812070444	1	Shaft		
2	4700377544	2	Clamp		
3	4812070436	2	Bracket		
4	4812070440	1	Handle		
5	4812070435	1	Spring		
6	4812070439	1	Spring		
7	4812070409	2	Lever		
8	4700377550	1	Stop		
9	4700377549	1	Spacer		
10	4700377548	1	Spring		
11	4700377551	1	Knob		
12	4700791322	1	Screw	M6 x 35	
13	4700570004	3	Nut	M6X1,00 -8 A2K	C
14	4700904229	6	Washer	8,4x16x1,5	C
15	4700791182	2	Lock nut	M8	
16	4700508092	2	Screw		C
17	4700792107	6	Screw		
18	4700508076	4	Screw		
19	4700570005	4	Nut	M8	C
20	4700535015	2	Screw		
21	4700904654	6	Screw		
22	4700603009	2	Washer		C

**Parking brake**

17911



**Parking brake**

<b>Item</b>	<b>Part No</b>	<b>Rem Qty</b>	<b>Description</b>	<b>Code</b>
1	4700286327	1	Housing	
2	4700288200	1	Piston	
3	4700288446	1	Pin	
4	4700288202	1	Spring	
5	4700288201	1	Washer	
6	4700151011	1	Snap ring	
7	4700586018	4	Lock nut	C
8	4700615044	4	Washer	C
9	4700500161	4	Hexagon head screw	C

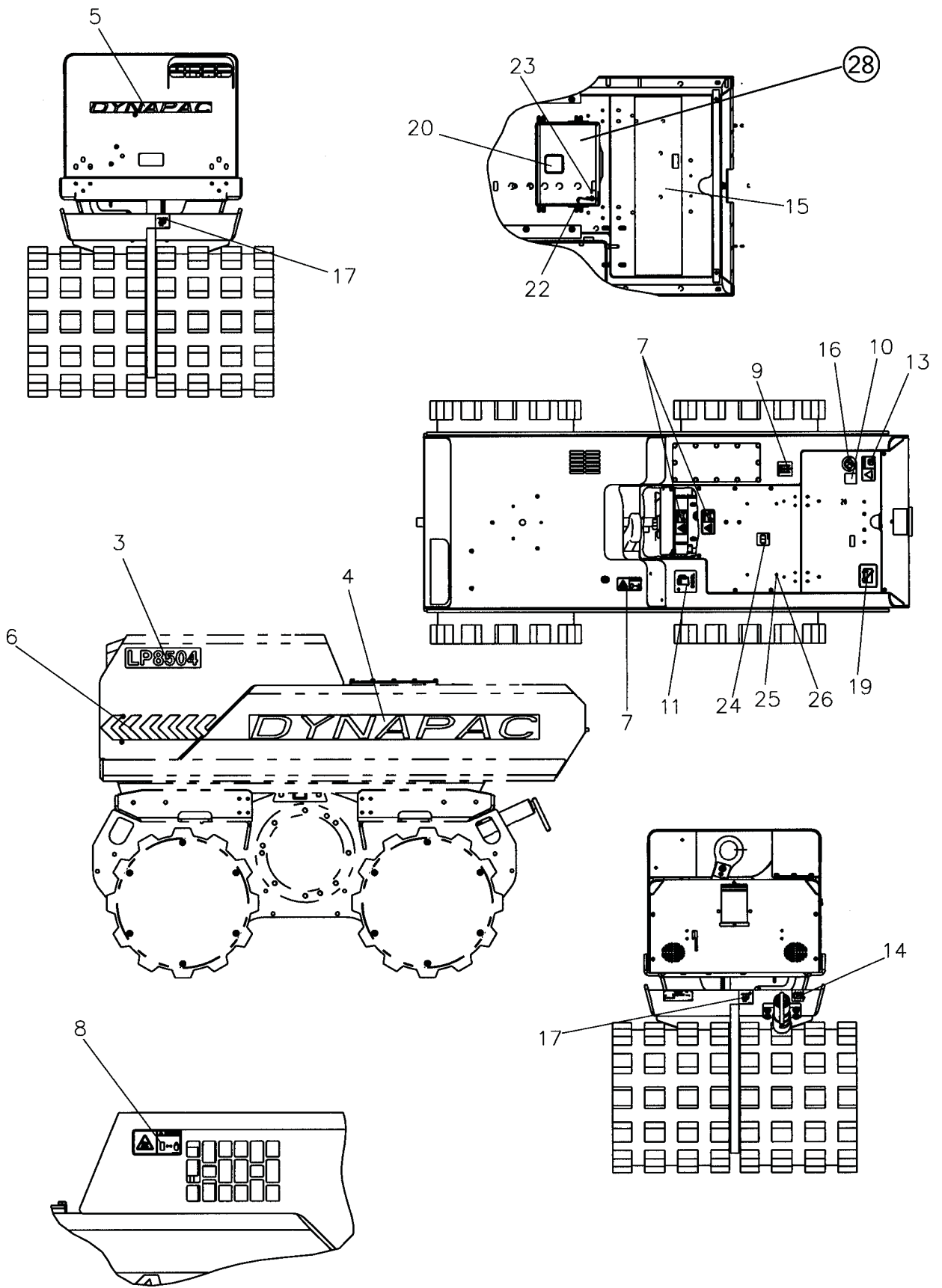


**Decals and documentation**

<b>Item</b>	<b>Part No</b>	<b>Rem Qty</b>	<b>Description</b>	<b>Code</b>
10		1	Decals and documentation ( Page 64 )	

Decals and documentation

19099





**Decals and documentation**

Item	Part No	Rem Qty	Description	Code
3	4812070688	2	Decal "MODEL CODE"	
4	4700904093	2	Decal "DYNAPAC"	L=1010 mm
5	4700904263	1	Decal "DYNAPAC"	
6	4700389095	2	Decal	
7	4700903423	4	Decal "SAFETY"	D
8	4700903424	1	Decal "HOT SURFACE"	D
9	4700272373	1	Decal "HYDRAULIC OIL"	D
10	4700791294	1	Decal "Sound power level"	106dB
11	4700991658	1	Decal "FUEL"	D
12	4700357587	1	Decal "LIFT POINT"	D
13	4700904680	1	Decal "Read instruction manual"	
14	4700389944	1	Decal "Parking brake "	
15	4812070684	1	Decal "Instruction"	
16	4700281898	1	Decal "Ear protection"	
17	4700382751	2	Decal "TIE DOWN POINT"	D
19	4700904835	1	Decal "BATTERY POWER"	D
20	4700383705	1	Instruction book holder	D
22	4700357643	1	Wire	D
23	4700358254	1	Key-ring	
24	4700903425	1	Decal "SAFETY MANUAL"	D
25	4700904698	8	Washer	C
26	4700500258	4	Screw	M4-0,7x20 8,8
27	4700570002	4	Nut	M4
28		1	Decals and documentation	C
		1	Spare parts catalogue	SLP8504-1EN1
		1	Instruction manual	C
		1	Instruction book, engine	C



**NUMERICAL INDEX**

Part Number	Page	Part Number	Page	Part Number	Page
4700150028	19	4700288200	61	4700379625	23
4700151011	61	4700288201	61	4700379626	23
4700160009	11	4700288202	61	4700379628	11
4700160155	39	4700288204	9	4700381803	35
4700162010	13	4700288232	19	4700381946	9
4700162011	13,15	4700288236	31	4700382315	39
4700202028	53	4700288241	19	4700382751	65
4700202046	35	4700288301	33	4700383194	13
4700202056	9	4700288321	31	4700383705	65
4700230195	33	4700288329	31	4700383839	35
4700230400	31	4700288332	35	4700385599	53
4700232143	13,15	4700288352	21	4700388222	45
4700238347	33	4700288353	35	4700388223	39
4700238353	33	4700288354	35	4700388400	13
4700238356	33	4700288356	9	4700388514	13
4700238360	33	4700288359	25	4700388515	13
4700238363	33	4700288401	7	4700388520	41
4700238366	47	4700288409	9	4700388573	51
4700238378	33	4700288416	35	4700388574	51
4700238380	31	4700288446	61	4700388577	51
4700238382	33	4700288447	33	4700388656	35
4700239592	31	4700288460	13	4700388658	9
4700239593	31	4700288461	9	4700388659	9
4700239595	31	4700288469	13	4700388765	51
4700239596	31	4700288474	15	4700389095	65
4700239597	31	4700297018	35	4700389522	41
4700239598	31	4700313008	31	4700389603	15
4700239599	31	4700313035	39	4700389604	13
4700239600	47	4700313121	31	4700389737	19
4700239601	47	4700330171	33	4700389738	39
4700239602	33	4700330328	13	4700389771	9
4700239605	47	4700334041	33	4700389772	7
4700239673	33	4700357278	51	4700389830	9
4700272373	65	4700357567	51	4700389831	9
4700281118	31	4700357587	65	4700389839	53
4700281898	65	4700357643	65	4700389840	53
4700282284	7,9	4700358254	51,65	4700389909	9
4700283711	33	4700359989	51	4700389944	65
4700286196	11	4700373460	15	4700389948	13
4700286327	61	4700373476	9	4700392930	53
4700286387	21,25	4700376008	51	4700393150	27
4700286409	9	4700376519	9	4700393151	27
4700286410	9	4700376520	9	4700393359	35
4700287336	31	4700376521	9	4700394362	39
4700287724	35	4700376547	39	4700394643	51
4700288063	7	4700376580	39	4700395064	31
4700288065	19	4700376581	39	4700395068	31
4700288066	19	4700376642	13	4700395248	31
4700288067	19	4700377238	39	4700396554	39
4700288068	19	4700377245	9	4700450066	7
4700288098	35	4700377544	57,59	4700483627	39
4700288116	35	4700377548	57,59	4700483629	41
4700288117	35	4700377549	57,59	4700483631	41
4700288118	35	4700377550	57,59	4700483632	39,41
4700288161	41	4700377551	57,59	4700483633	41
4700288162	41	4700378014	11	4700483634	41
4700288177	35	4700378015	11	4700483636	41
4700288182	9	4700378039	11	4700483638	39
4700288185	9	4700378146	35	4700483642	39
4700288187	9	4700378147	35	4700483671	41
4700288188	9	4700378448	31	4700483685	39
4700288194	9	4700378700	43	4700483686	39

**NUMERICAL INDEX**

Part Number	Page	Part Number	Page	Part Number	Page
4700483687	39	4700586003	33,41	4700904231	7,23,27,35
4700483892	41	4700586018	7,61	4700904232	9,11
4700499127	13	4700586019	7,51	4700904233	21,25
4700500004	53	4700603009	57,59	4700904263	65
4700500015	35	4700606017	7	4700904281	7,53
4700500018	13	4700615044	61	4700904375	13
4700500019	7,33,35,57	4700624012	13	4700904504	7
4700500022	39	4700628025	19	4700904556	39
4700500023	11	4700747282	31,33	4700904557	19,39,47
4700500024	41	4700748115	33	4700904639	9
4700500025	33	4700748478	33	4700904653	53
4700500026	39	4700791092	51	4700904654	57,59
4700500028	35,39,41	4700791136	51	4700904680	65
4700500029	11	4700791169	53	4700904696	53
4700500031	35	4700791182	7,31,57,59	4700904698	51,53,65
4700500040	9	4700791294	65	4700904703	7,51
4700500042	31	4700791322	57,59	4700904835	65
4700500043	13	4700791373	7	4700909528	47
4700500046	19	4700791397	41	4700909681	43
4700500047	21,25,51	4700791398	41	4700921119	35
4700500051	7	4700791399	39,41	4700923405	39
4700500053	35,51	4700791400	39	4700923976	51,53
4700500054	7	4700791404	39,41	4700924762	11
4700500056	7	4700791407	39	4700927974	13
4700500068	51	4700791414	39,41	4700928381	35
4700500075	7	4700791631	39	4700928444	11
4700500086	53	4700791710	39	4700928632	7
4700500161	9,61	4700791714	39	4700935377	13
4700500187	53	4700791751	51	4700935981	43
4700500188	35	4700791752	51	4700935983	43
4700500189	39	4700791761	39	4700935988	43
4700500190	39,41	4700791791	39	4700935989	43
4700500194	19	4700791792	39	4700935997	43
4700500205	21,25	4700791793	39	4700935998	43
4700500239	7	4700791932	39	4700936001	43
4700500240	7	4700792107	57,59	4700936002	43
4700500258	65	4700792247	31	4700936003	43
4700500296	35	4700792252	39	4700936907	33
4700500505	7,9	4700792524	23,27	4700937429	33
4700508002	35	4700792653	31	4700938313	33
4700508020	51	4700901121	33	4700938314	33
4700508026	39	4700901225	53	4700938332	33
4700508028	13	4700901227	53	4700939219	43
4700508029	19,31,39,47	4700901230	53	4700939230	47
4700508048	9	4700901256	53	4700939811	43
4700508056	7	4700901832	7,53	4700939814	43
4700508070	39	4700902284	53	4700939825	43
4700508076	57,59	4700902398	43	4700940218	31
4700508083	31	4700903233	19	4700940417	31
4700508092	57,59	4700903346	31	4700940609	35
4700513008	9	4700903386	31	4700940610	33
4700513009	9	4700903423	65	4700940611	33
4700513012	7	4700903424	65	4700940612	33
4700513017	9	4700903425	65	4700940619	43
4700513023	39	4700903703	39	4700940620	43
4700535015	57,59	4700903741	53	4700940621	43
4700570002	65	4700903956	53	4700940622	43
4700570004	9,35,57,59	4700904093	65	4700940623	43
4700570005	9,39,51,57,59	4700904228	7,9,31,35,53	4700940624	43
4700570008	13	4700904229	7,9,11,13,33,35	4700940625	43
4700586001	7		39,41,51,57,59	4700940626	43
4700586002	7,9	4700904230	7,9,11,35,39,41	4700940627	43

**NUMERICAL INDEX**

Part Number	Page	Part Number	Page	Part Number	Page
4700940628	43				
4700940644	43				
4700940646	31				
4700940647	31				
4700940691	47				
4700940692	47				
4700940693	47				
4700940694	47				
4700940781	45				
4700940782	45				
4700940790	45				
4700945739	45				
4700945740	45				
4700945741	45				
4700945826	45				
4700947691	23,27				
4700950285	45				
4700991658	65				
4700999027	51				
4811000128	53				
4811000159	53				
4811000162	51				
4811000179	53				
4811000254	51				
4812070082	51				
4812070222	53				
4812070401	51				
4812070402	53				
4812070403	51				
4812070404	51				
4812070405	53				
4812070406	57				
4812070407	57				
4812070408	57				
4812070409	59				
4812070414	51				
4812070416	53				
4812070435	57,59				
4812070436	57,59				
4812070439	57,59				
4812070440	57,59				
4812070443	53				
4812070444	57,59				
4812070449	7				
4812070475	9				
4812070476	51				
4812070477	51				
4812070684	65				
4812070686	53				
4812070687	53				
4812070688	65				
4812110560	53				
D388218-01	13				
D388253-01	15				
D388495-01	7				
D388496-01	7				
D388581-01	7				
D604044183	11				

