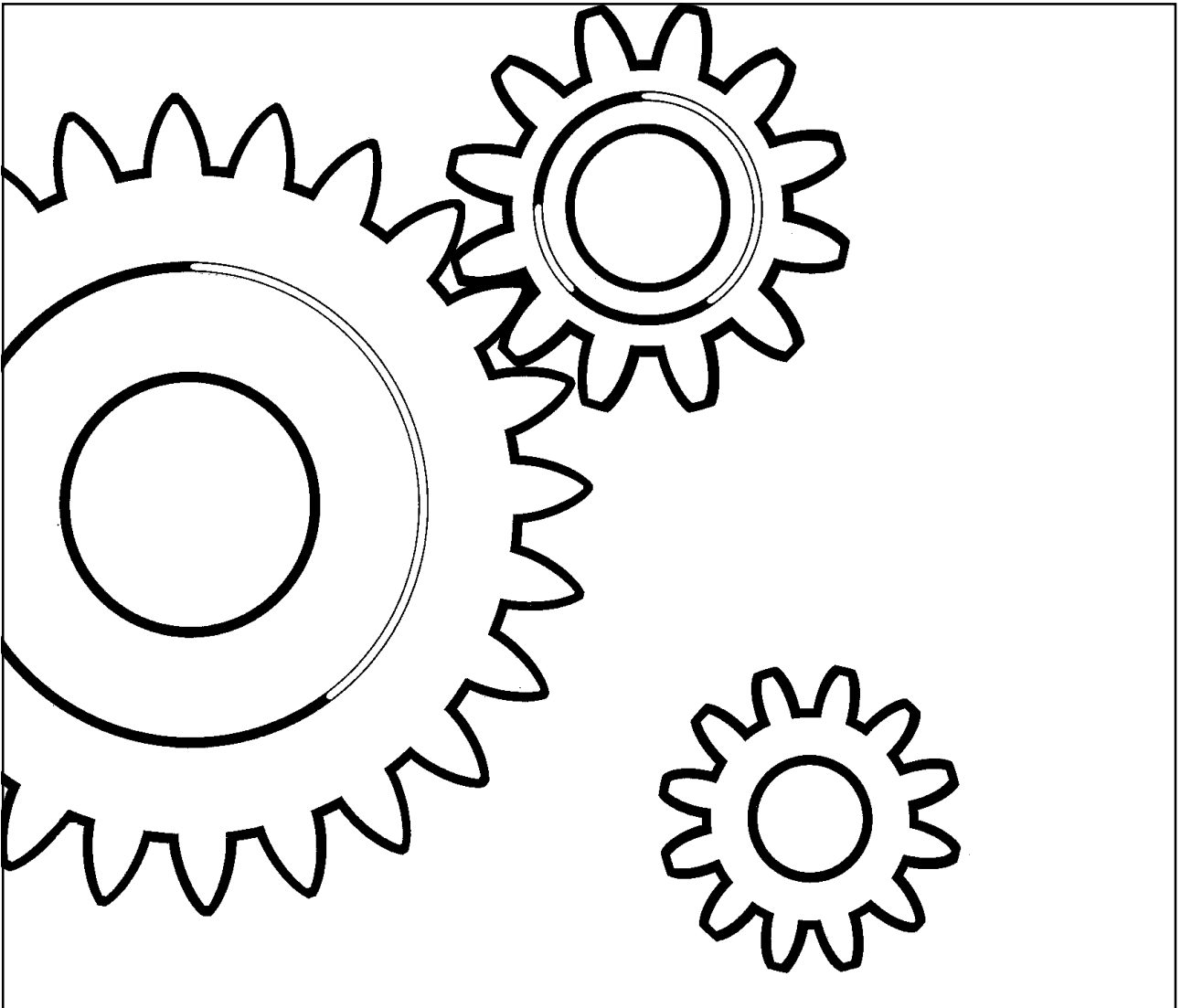


# DYNAPAC LP8500

## SPARE PARTS CATALOGUE SLP8500-1EN4



***DYNAPAC***

Part of the Atlas Copco Group

Atlas Copco Construction Tools AB

SE-105 23 Stockholm, Sweden



## **Trench Compactor LP 8500 Spare Parts Catalogue SLP8500-1EN4**

*Valid from serial number:*

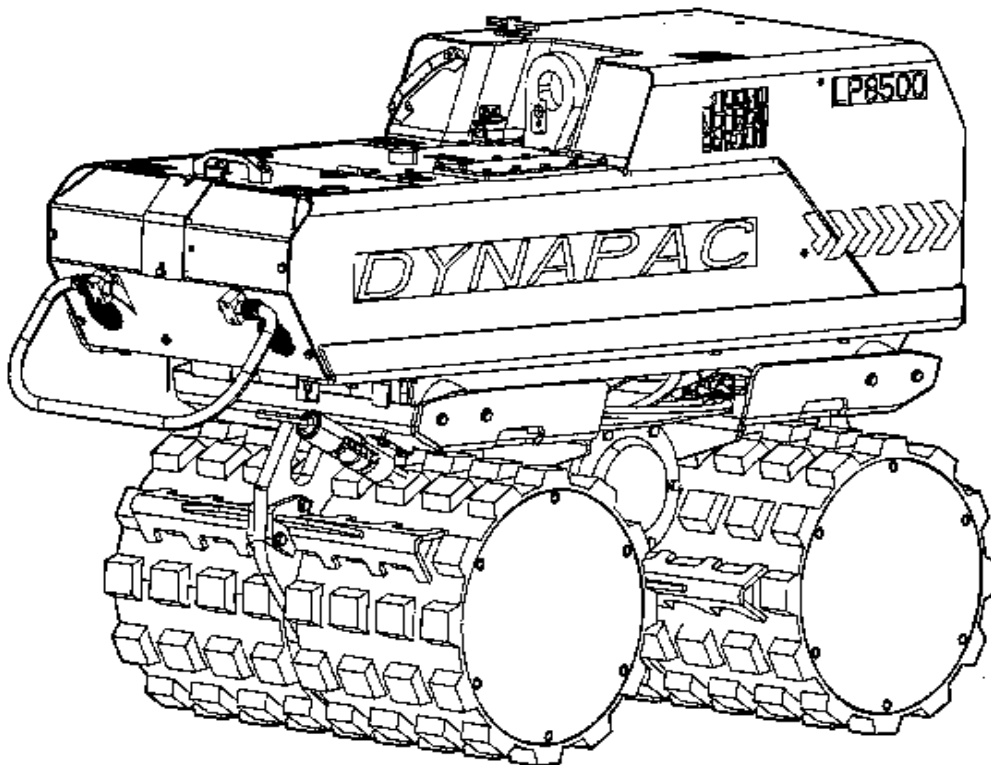
*\*18500011\**

*Engines:*

*Hatz 2G40*

*Published catalogue issues valid for these trench compactors:*

<i>Catalogue</i>	<i>Issue date</i>	
<i>SLP8500-1EN0</i>	<i>2003 - 12</i>	<i>Replaced by SLP8500-1EN1</i>
<i>SLP8500-1EN1</i>	<i>2004 - 03</i>	<i>Replaced by SLP8500-1EN2</i>
<i>SLP8500-1EN2</i>	<i>2005 - 03</i>	<i>Replaced by SLP8500-1EN3</i>
<i>SLP8500-1EN3</i>	<i>2007 - 09</i>	<i>Replaced by SLP8500-1EN4</i>
<i>SLP8500-1EN4</i>	<i>2009 - 04</i>	



**RESERVDLSBESTÄLLNING**

Följande uppgifter ska lämnas vid beställning av reservdelar för att undvika leveransfel:

1. Maskintyp.
2. Vältens serienummer.
3. Antal av önskad reservdel.
4. Reserdelens artikelnummer.
5. Reservdelens benämning.
6. Måttuppgifter vid beställning av metervara.

**ERSATZTEILBESTELLUNG**

Zur Vermeidung von Fehllieferungen sind bei der Bestellung von Ersatzteilen folgende Angaben zu machen:

1. Maschinentyp.
2. Herstellungsnummer.
3. Bestellmenge. (Quantity)
4. Ersatzteilnummer. (Part N°)
5. Ersatzteilbenennung. (Denomination)
6. Massangaben bei Bestellung von Meterware.

**PEDIDO DE RECAMBIOS**

Para evitar errores en las entregas, deberán indicarse los siguientes datos al hacer un pedido de recambios:

1. Tipo de máquina.
2. Número de serie.
3. Cantidad de piezas deseadas. (Quantity)
4. Número de artículo de la pieza de recambio. (Part N°)
5. Denominación de la pieza. (Denomination)
6. Indíquese la medida al solicitar un artículo que se expide por metros.

**ORDERING SPARE PARTS**

To avoid errors in delivery, please give the following information when ordering spare parts:

1. Type of machine.
2. Roller serial number.
3. Quantity required.
4. Part number.
5. Parts denomination.
6. Dimensions when ordering per length.

**ORDINI DI RICAMBI**

Per evitare errori nelle consegne di ricambi, Vi preghiamo di comunicarci le seguenti informazioni al momento dell'ordinazione:

1. Tipo di macchina.
2. Numero di serie della macchina.
3. Quantità dei pezzi desiderati. (Quantity)
4. Numero di codice del pezzo. (Part N°)
5. Descrizione del pezzo di ricambio. (Denomination)
6. Misura, in caso di ordine per metro.

**COMMANDE DE PIÈCES DE RECHANGE**

Les indications suivantes doivent être fournies lors de la commande de pièces de rechange, afin d'éviter toute erreur de livraison:

1. Type de machine.
2. Numéro de série.
3. Quantité désirée de pièce de rechange. (Quantity)
4. Numéro de la pièce de rechange. (Part N°)
5. Dénomination de la pièce de rechange. (Denomination)
6. Longueur en cas de commande au mètre.

**YOUR AGENT/DEALER:**

# DYNAPAC

## Text pages

The text pages is structured as the picture on the right.

1. This is the remarks for specific items and the descriptions of the remarks is at the bottom of the parts list.

2. Parts indicated by a dot and moved to the right are included when buying the assembled unit above.

3. Spare parts and service code for a specific part, mainly for internal use at Dynapac. "A" = Service part, "B" = Fast moving part, "C" = Suggested exchanged part and "D" = Regular spare part.

<b>DYNAPAC</b>						
Cooling system						
Ref. No.	Part No.	Rem.	Qty	Description	Code	
1	223047		1	Water cooler	③	C
2	935852		1	Radiator cap		D
3	935851	①	1	Cock	②	
4	373263	A	1	Radiator hose		D
5	313009		6	Clamp		
6	205058	B	1XL	Rubber clutch		
7	373261	C	1	Radiator hose		D
8			1	Oil cooler		D
9	223289		1	Plate		
10	902166	D	1XL	Edge trim		
11	223287	E	1	Holder		
12	223288	F	1	Holder		
13	908168		1	Fan guard		
14	908170		1	Fan shroud		
15	908171		2	Mounting bar		
16	908169		1	Fan guard		
17	500021		14	Screw		
18	902286		14	Nut		
19	600006		14	Washer		
20	313102		2	Cable strap		

A) Upper  
 B) L=060MM  
 C) Lower  
 D) L=2280MM  
 E) Left  
 F) Right

## Changes

PARTS INFO	SERVICE INFO	GROUP	PAGE	NOTES

## Notes

---



---



---



---



---



---



---



---



---



---



## PÄRMETIKETT

För att undvika fel vid reservdelsbeställning finns här nedan två etiketter som passar i fickorna på pärmarnas ryggar. På dessa kan man se från vilket vältnummer av aktuell maskin reservdelskatalogen gäller. Gör så här:

1. Tag denna sida ur pärmen.
2. Klipp ut etiketten till **VÄNSTER** (1) och sätt in den i fickan på **DENNA** pärmens rygg.
3. Finns det en etikett till **HÖGER** (2), kan denna användas på pärmen för **FÖREGÅENDE** utgåva av denna katalog.
4. Kasta detta papper.

## KATALOG-BESCHRIFTUNG

Zur Vermeidung von Fehlern bei der Ersatzteilbestellung benutzen Sie bitte die unteren Beschriftungen, um die Kataloge auf der Rückseite zu kennzeichnen. Auf der Beschriftung ist angegeben, für welche Maschinennummern der jeweilige Katalog gültig ist. Ablauf:

1. Nehmen Sie dieses Blatt aus dem Katalog.
2. Schneiden Sie die **LINKE** Beschriftung (1) aus. Schieben Sie die Beschriftung in die tasche auf **DEM** Katalogrücke.
3. Sollte die Beschriftung unten **RECHTS** (2) mitgeliefert werden, kennzeichnen Sie damit bitte die **ÄLTERE** Ausführung dieses Kataloges.
4. Den Rest dieses Blattes bitte vernichten.

## ETIQUETA PARA LA CARPETA

Para evitar errores al pedir repuestos utilicen las etiquetas abajo descritas para identificar los catálogos en la parte trasera de la carpeta. En la etiqueta se ven los números de referencia de la serie para la cual es válido el catálogo. Instrucciones:

1. Quitar esta página de la carpeta.
2. Corta la etiqueta **IZQUIERDA** (1) y ponerla en **ESTA** carpeta en la parte trasera.
3. Si hay una etiqueta en la parte **DERECHA** (2) se puede utilizar en la carpeta para el catálogo que **PRECEDE** a esta.
4. Tirar esta hoja.

## BINDER LABEL

To avoid errors when ordering spare parts use the labels below to identify the catalogues on the back of the binder. The label contain the serial number range for which the catalogue is valid. Do like this:

1. Remove this page from the binder.
2. Cut out the **LEFT** label (1) and put it on **THIS** binders back.
3. If there is a label to the **RIGHT** (2), it can be used on the binder for **PRECEDING** issue of this catalogue.
4. Throw away this paper.

## ETICHETTAPOSTASULRACCOGLITORE

Per evitare errori quando ordinate pezzi di ricambio, usate le etichette in calce che servono ad identificare i cataloghi sul retro del raccoglitore. L'etichetta indica il numero di matricola delle macchine prese in considerazione nel catalogo.

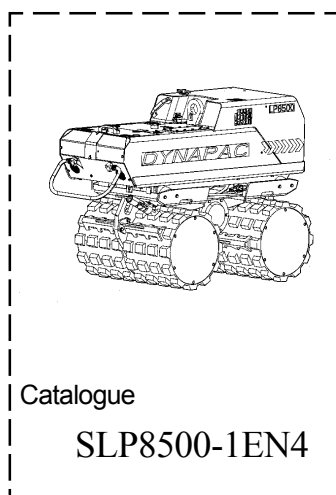
1. Rimuovete questa pagina dal raccoglitore.
2. Ritagliate l'etichetta posta a **SINISTRA** (1) e ponetela sul retro **DEL** raccoglitore.
3. Se trovate anche un'etichetta sulla **DESTRA** (2), ritagliatela e ponetela sul raccoglitore relativo alla **PRECEDENTE** edizione del catalogo.
4. Distruggete questo foglio.

## ETIQUETAGE DU CATALOGUE

Afin d'éviter des erreurs lors de commandes de pièces de rechange, nous vous conseillons d'apposer les marquages ci-dessous à l'arrière du classeur, pour identifier les catalogues. Ce marquage indique les numéros de série pour lesquels le catalogue est adapté. Il convient de procéder de la façon suivante:

1. Retirez cette page du classeur.
2. Découpez l'étiquette de **GAUCHE** (1), et apposez-la à l'arrière de **CE** catalogue.
3. Si il y a une étiquette à **DROITE** (2), vous pourrez l'apposer sur le classeur de l'édition **PRECEDENTE** du catalogue.
4. Détruire cette feuille.

1.



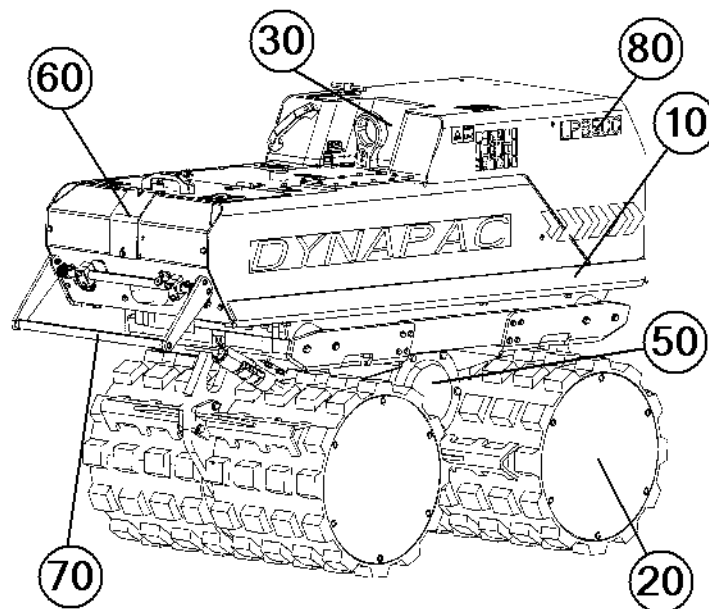




<b>LP8500</b> .....	<b>2</b>
<b>Frame</b> .....	<b>4</b>
Frame and covers .....	6
Engine hood and noise supression .....	8
Lower part .....	10
Hydraulic oil tank .....	12
Fuel tank .....	14
<b>Eccentric element, drums and scrapers</b> .....	<b>16</b>
Eccentric element .....	18
Drums, standard Widht 850 mm .....	20
Scrapers for standard drums with widht 850 mm .....	22
Drums, option Widht 630 mm .....	24
Scrapers for option drums with widht 630 mm .....	26
<b>Engine, engine installation and fuel system</b> .....	<b>28</b>
Engine .....	30
Fuel system .....	32
Engine installation .....	34
<b>Hydraulic system</b> .....	<b>36</b>
Hydraulic block, hydraulic pump and cooler .....	38
Hydraulic system for wheel motors .....	40
Drum motor .....	42
Hydraulic block .....	44
Hydraulic pump installation .....	46
<b>Electrical equipment</b> .....	<b>48</b>
Electrical equipment .....	50
Control panel .....	52
<b>Push stop. throttle control and parking brake</b> .....	<b>54</b>
Push stop Up to 18500104 .....	56
Push stop From 18500105 .....	58
Parking brake .....	60
<b>Decals and documentation</b> .....	<b>62</b>
Decals and documentation .....	64

LP8500

LP8500100



**LP8500**

<b>Item</b>	<b>Part No.</b>	<b>Rem. Qty</b>	<b>Description</b>	<b>Code</b>
10			Frame ( Page 4 )	
20			Eccentric element, drums and scrapers ( Page 16 )	
30			Engine, engine installation and fuel system ( Page 28 )	
50			Hydraulic system ( Page 36 )	
60			Electrical equipment ( Page 48 )	
70			Push stop, throttle control and parking brake ( Page 54 )	
80			Decals and documentation ( Page 62 )	

1

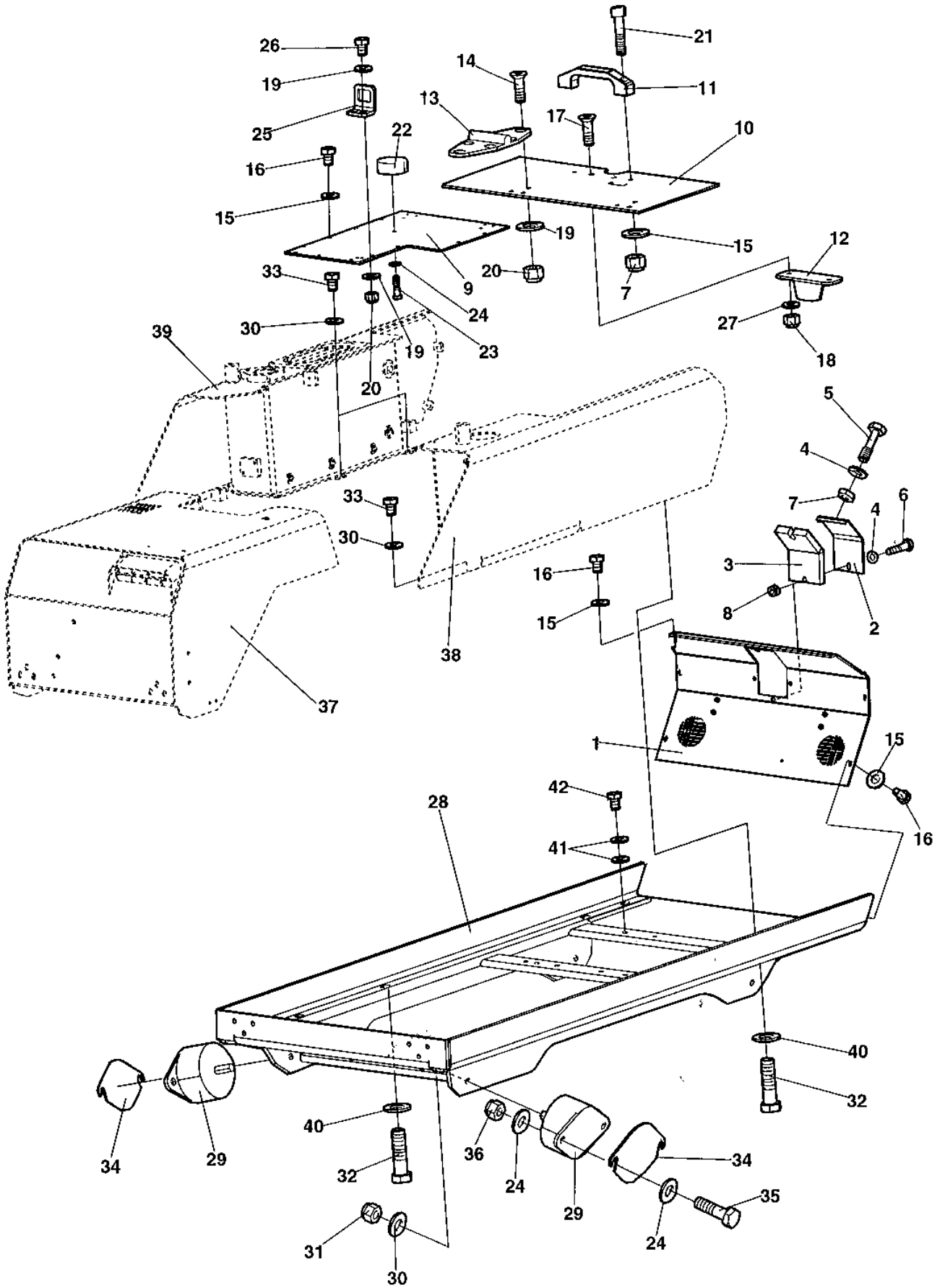


**Frame**

<b>Item</b>	<b>Part No.</b>	<b>Rem. Qty</b>	<b>Description</b>	<b>Code</b>
10			Frame and covers ( Page 6 )	
20			Engine hood and noise supression ( Page 8 )	
25			Lower part ( Page 10 )	
30			Hydraulic oil tank ( Page 12 )	
40			Fuel tank ( Page 14 )	

Frame and covers

17887-2



**Frame and covers**

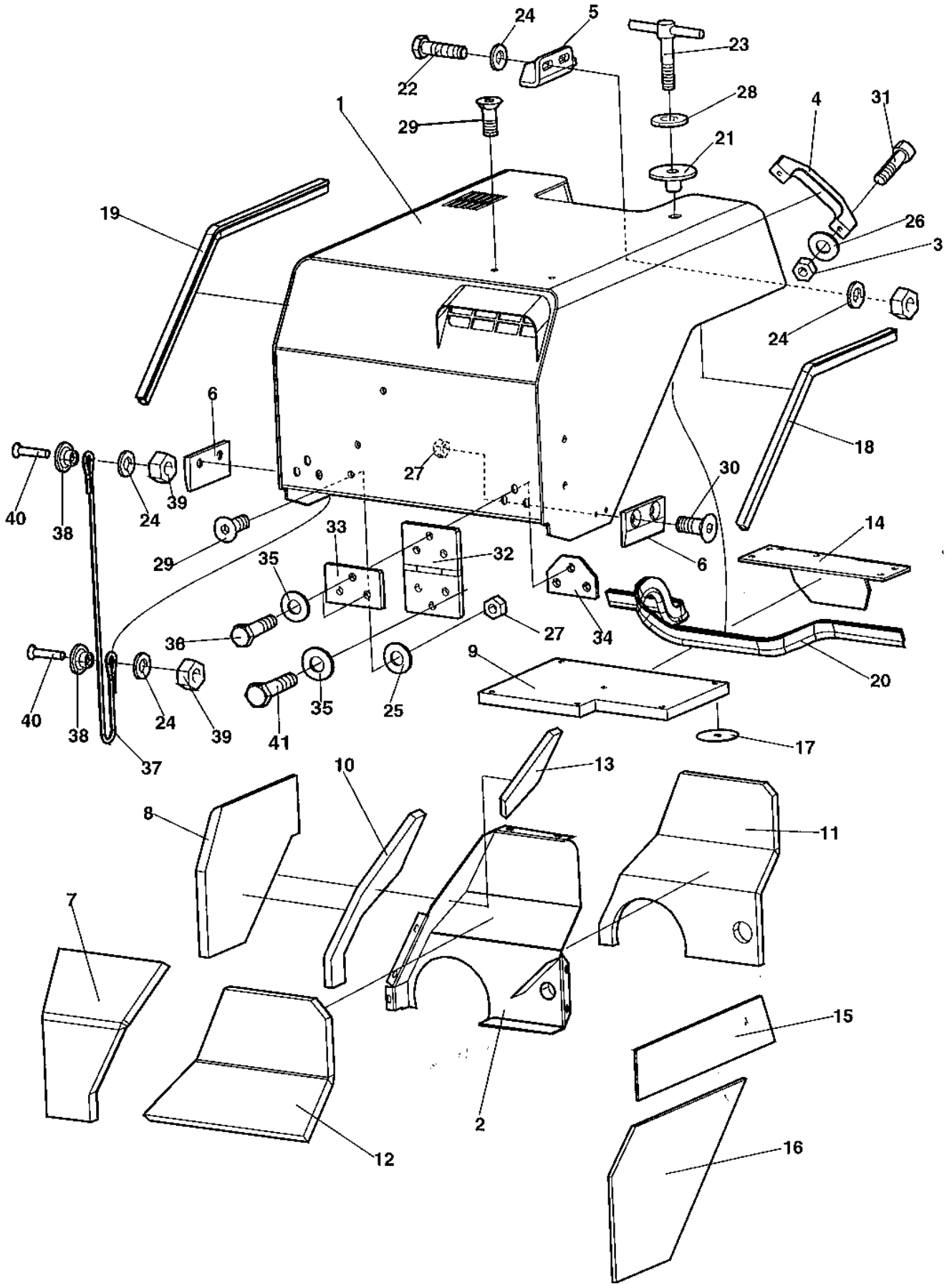
Item	Part No.	Rem. Qty	Description	Code
1	4700388778	1	Rear plate Up to 18500104	
	D377880-01	1	Rear plate From 18500105	
2	4700388734	1	Protecting cover	
3	4700389032	1	Insulation	
4	4700904229	2	Washer	8,4x16x1,5
5	4700389037	1	Screw	
6	4700500239	1	Screw	
7	4700791182	3	Lock nut	M8
8	4700573008	1	Nut	M8
9	D388496-01	1	Cover	
10	D388495-01	1	Cover	
11	4700282284	1	Grab handle	
12	4700450066	1	Door bumper	D
13	4700928632	2	Hinge	
14	4700513012	12	Screw	M6x20 10,9
15	4700904229	16	Washer	8,4x16x1,5
16	4700500019	14	Screw	
17	4700904504	2	Screw	M5 x 18
18	4700586001	2	Lock nut	
19	4700904228	16	Washer	6,4x12x1,5
20	4700586002	14	Lock nut	M6 -8
21	4700508056	2	Screw	M8x40
22	4700791373	1	Shock absorber	
23	4700500054	1	Screw	
24	4700904230	17	Washer	
25	4700389772	1	Bracket	
26	4700500075	2	Screw	M6-1,0x25 8.8
27	4700904281	2	Washer	5,3x10x1 300HV
28	D388581-01	1	Frame	
29	4700288063	4	Shock absorber	B
30	4700904231	7	Washer	13x24x2 300 HV
31	4700586019	4	Lock nut	
32	4700500056	9	Screw	
33	4700500051	3	Screw	M12x25H 8.8 A3K
34	4700288401	B 4	Shims	
35	4700500030	8	Screw	
36	4700586018	8	Lock nut	
37		1	Engine hood and noise supression ( Page 8 )	
38		1	Fuel tank ( Page 14 )	
39		1	Hydraulic oil tank ( Page 12 )	
40	4700904703	8	Washer	
41	4700606017	A 2	Washer	External teeth
42	4700500053	1	Screw	M8x20H 8.8

A) Lock washers for the electrical system's ground point. old version

B) Old version, not in use anymore

**Engine hood and noise supression**

17879-2





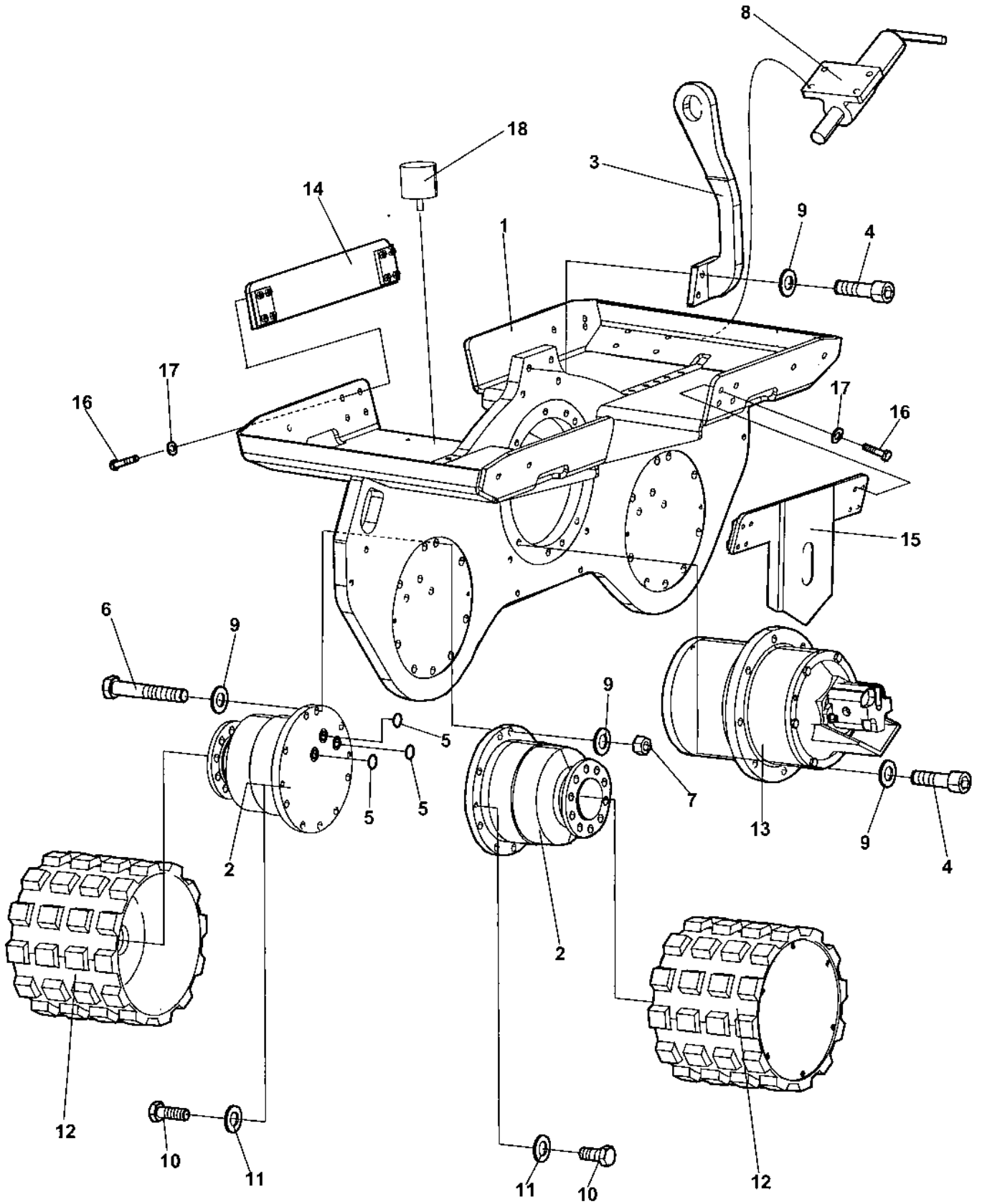
Engine hood and noise supression

Item	Part No.	Rem. Qty	Description	Code
1	4700388658	1	Hood	
2	4700388659	1	Air inlet	
3	4700570005	2	Nut	M8
4	4700282284	1	Grab handle	
5	4700389771	1	Bracket	
6	4700288409	2	Spacer	
7	4700288182	1	Insulating plate	
8	4700377245	1	Insulating plate	
9	4700288185	1	Insulating plate	
10	4700288187	1	Insulating plate	
11	4700288188	1	Insulating plate	
12	4700288194	1	Insulating plate	
13	4700288204	1	Insulating plate	
14	4700389830	1	Insulation	
15	4700389831	1	Insulation	
16	4700389909	1	Insulation	
17	4700373476	20	Insulating washer	
18	4700288356	A 1XL	Edge trim	
19	4700288356	B 1XL	Edge trim	
20	4700202056	C 1XL	Edge trim	
21	4700381946	1	Flange nut	
22	4700500040	2	Screw	M6-1x20 8,8
23	4700288461	1	Screw	
24	4700904228	6	Washer	6,4x12x1,5
25	4700904639	7	Washer	6,7x14x1,5
26	4700904229	2	Washer	8,4x16x1,5
27	4700570004	7	Nut	M6X1,00 -8 A2K
28	4700904232	1	Washer	
29	4700513008	7	Screw	
30	4700513009	4	Screw	
31	4700508048	2	Screw	
32	4700376519	2	Hinge	
33	4700376520	4	Plate	
34	4700376521	2	Bracket	
35	4700904230	12	Washer	
36	4700500161	7	Screw	
37	4700286409	1	Wire	
38	4700286410	2	Washer	
39	4700586002	2	Lock nut	M6 -8
40	4700513017	2	Screw	M6x30H 10,9
41	4700500030	5	Screw	
42	4700586002	2	Lock nut	M6 -8

- A) L=0,61m
- B) L=0,67 m
- C) L=0,9 m

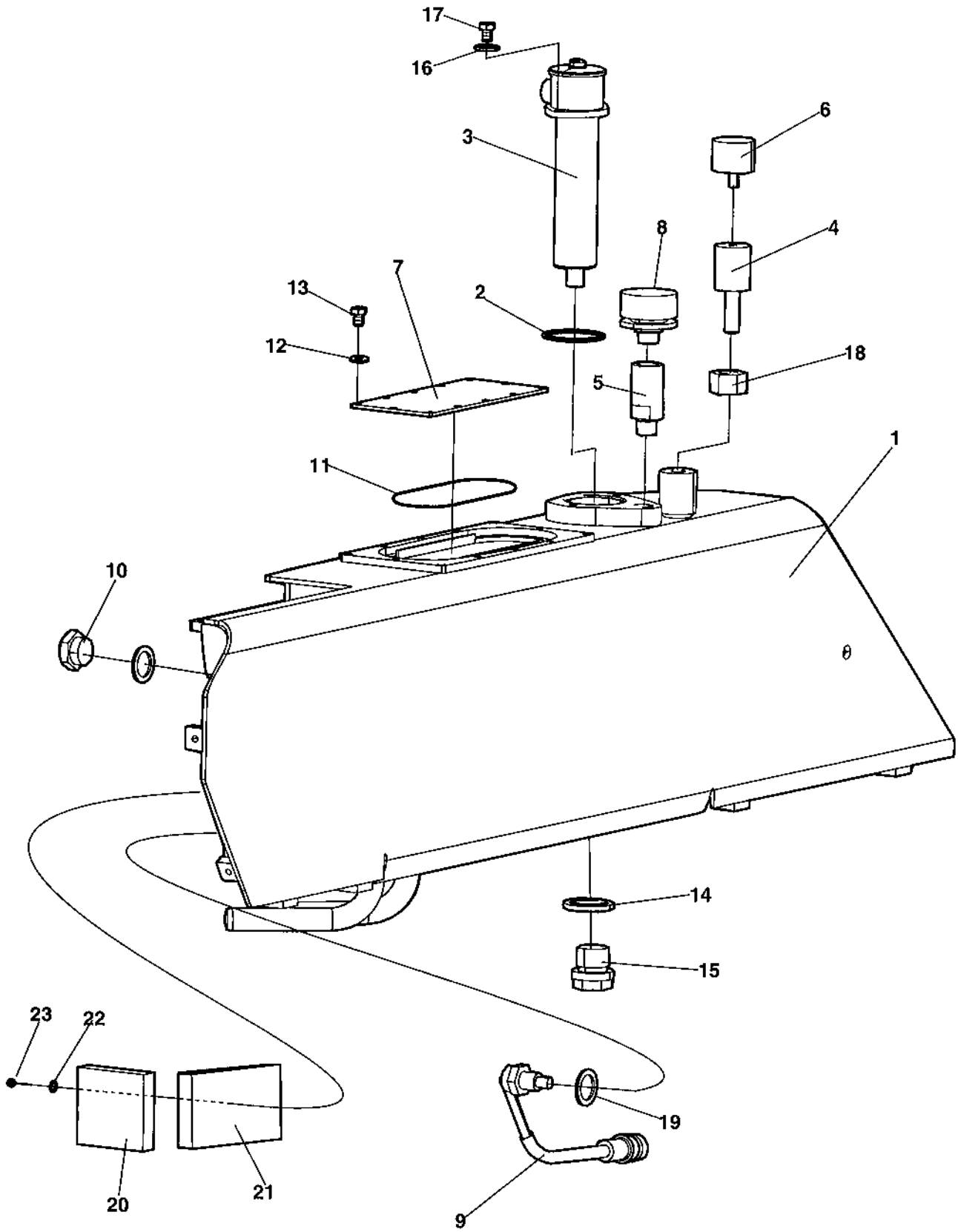
Lower part

17915-2



Lower part

Item	Part No.	Rem. Qty	Description	Code
1	4700389861	1	Lower part Up to 18500201 and 214	
	4700379628	1	Lower part From 18500202 not 214	
2		4	Drum motor ( Page 42 )	
3	4700378039	1	Lifting eye	
4	4700928444	12	Screw	
5	4700160009	12	O-ring	D
6	4700924762	18	Screw	
7	4700286196	18	Nut	
8		1	Parking brake ( Page 60 )	
9	4700904232	48	Washer	
10	4700500029	8	Screw	
11	4700904230	8	Washer	
12		4	Drums, standard ( Page 20 )	Widht 850 mm
13		1	Eccentric element ( Page 18 )	
14	4700378015	1	Protecting plate	
15	4700378014	1	Protecting plate	
16	4700500023	16	Screw	M8-1,25x40 8,8
17	4700904229	16	Washer	8,4x16x1,5
18	D604044183	2	Shock absorber	

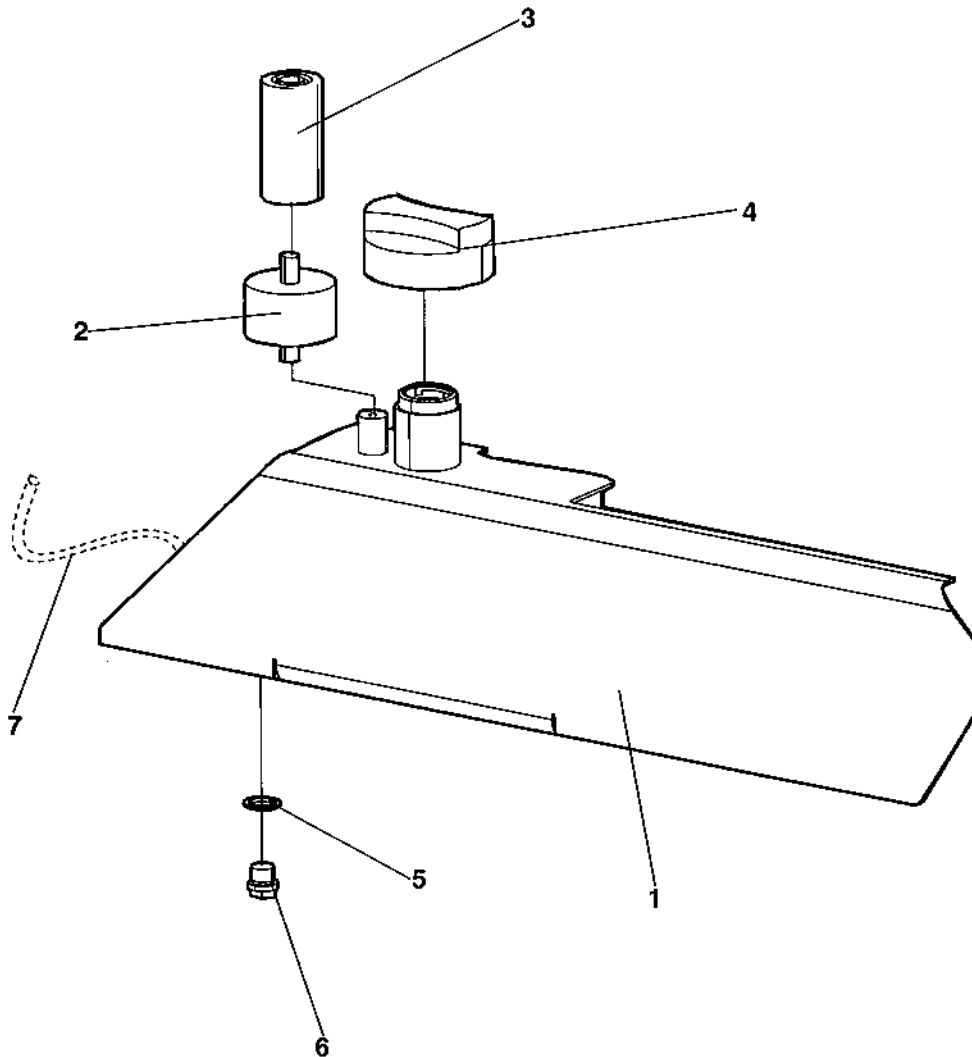


Hydraulic oil tank

Item	Part No.	Rem. Qty	Description	Code
1	D388218-01	1	Oil tank	
2	4700904375	1	O-ring	
3	4700288469	1	Hydraulic filter, cpl.	
	4700935377	1	.Filter element	A
4	4700389604	1	Stud	
5	4700388400	1	Spacer	
6	4700288460	1	Shock absorber	
7	4700388515	1	Cover	
8	4700383194	1	Air breather	
9	4700383245	1	Temperature sensor	
10	4700499127	1	Sight plug	
11	4700388514	1	O-ring	
12	4700904229	12	Washer	8,4x16x1,5
13	4700500018	12	Screw	M8-1,25x12 8,8
14	4700162011	1	Washer, sealing	D
15	4700232143	1	Plug	
16	4700162010	2	Seal ring	D
17	4700508028	2	Screw	
18	4700570008	1	Nut	M16 -8
19	4700330328	1	Copper washer	10x14x1
20	4700389948	1	Insulation	
21	4700376642	1	Insulation	
22	4700927974	2	Washer	
23	4700624012	2	Rivet	

**Fuel tank**

17886



**Fuel tank**

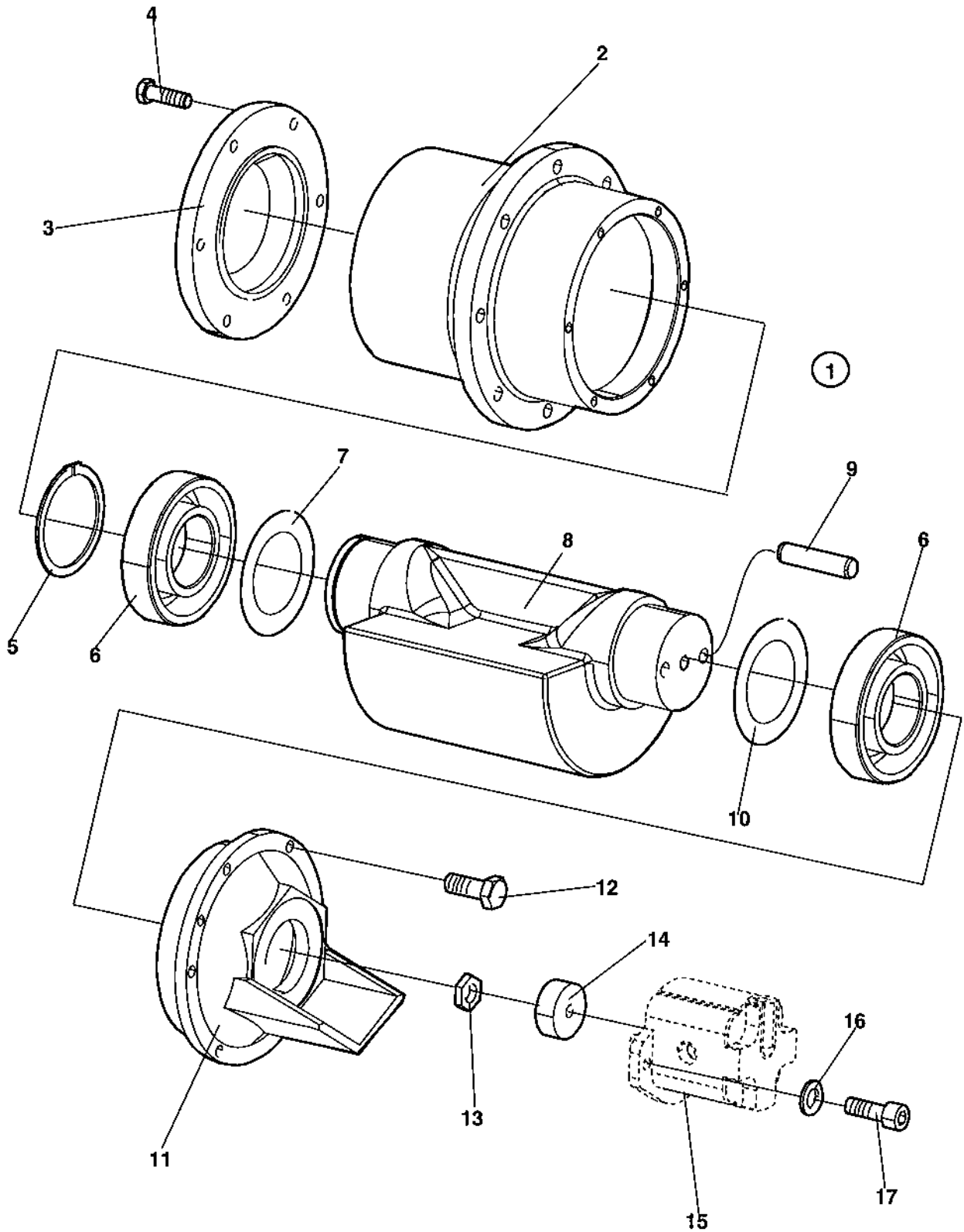
<b>Item</b>	<b>Part No.</b>	<b>Rem. Qty</b>	<b>Description</b>	<b>Code</b>
1	D388253-01	1	Fuel tank	
2	4700288474	1	Shock absorber	D
3	4700389603	1	Stud	
4	4700373460	1	Fuel cap	D
5	4700162011	1	Washer, sealing	D
6	4700232143	1	Plug	
7		1	Fuel system ( Page 32 )	

**Eccentric element, drums and scrapers**



**Eccentric element, drums and scrapers**

<b>Item</b>	<b>Part No.</b>	<b>Rem. Qty</b>	<b>Description</b>	<b>Code</b>
10			Eccentric element ( Page 18 )	
20		4	Drums, standard ( Page 20 )	Widht 850 mm
25			Scrapers for standard drums with widht 850 mm ( Page 22 )	
30		4	Drums, option ( Page 24 )	Widht 630 mm
35			Scrapers for option drums with widht 630 mm ( Page 26 )	



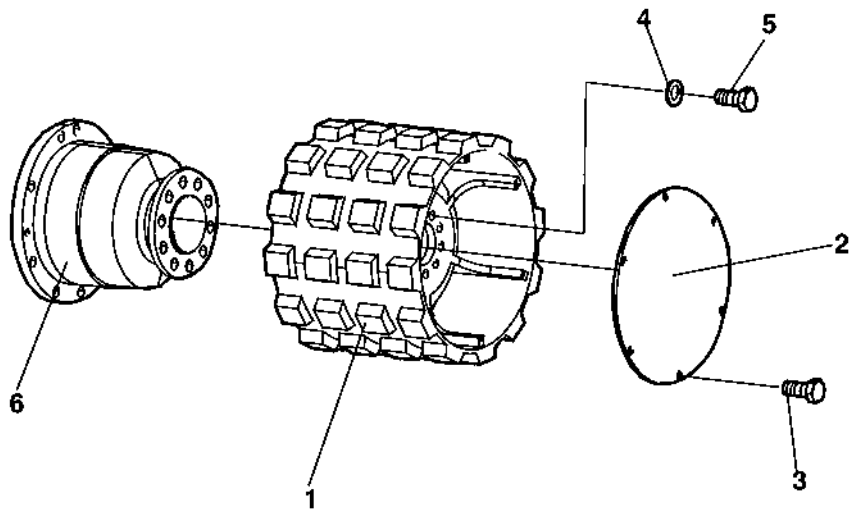
**Eccentric element**

Item	Part No.	Rem. Qty	Description	Code
1		1	Eccentric element, cpl	
2	4700288065	1	Housing	
3	4700288067	1	Cover	
4	4700500194	6	Screw	
5	4700150028	1	Snap ring	
6	4700903233	2	Bearing	
7	4700288241	1	Plate	
8	4700288068	1	Eccentric weight	
9	4700628025	2	Cylindric pin	
10	4700288232	1	Plate	
11	4700288066	1	Bearing housing	
12	4700500046	6	Screw	
13		A 1	Nut	
14	4700389737	1	Coupling	
15		B 1	Hydraulic motor	
16	4700904557	2	Washer	
17	4700508029	2	Screw	M10-1,5x30H 8,8

- A) Supplied with hydraulic motor
- B) See section hydraulic system for wheel motors

**Drums, standard Widht 850 mm**

17916

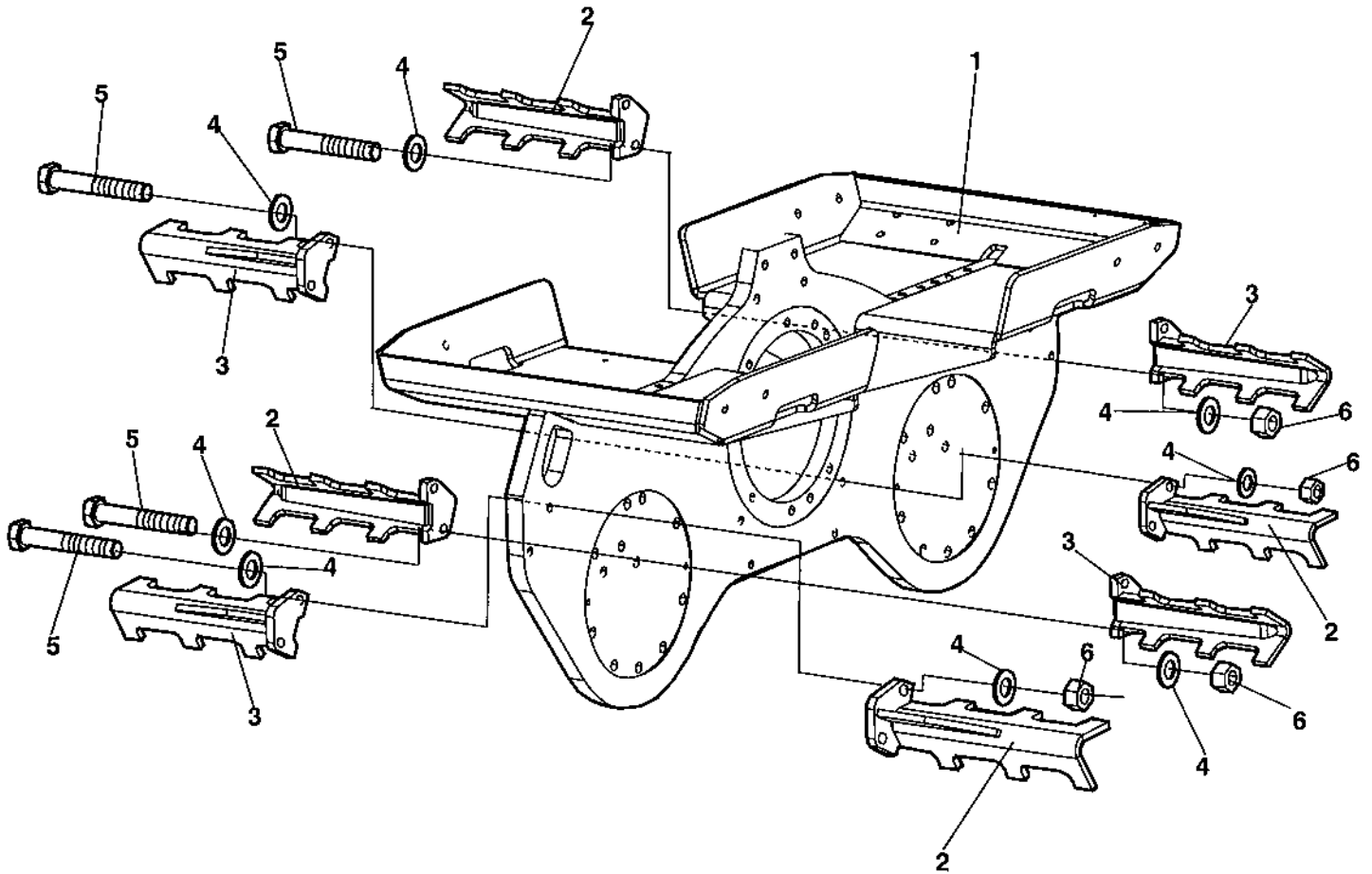


**Drums, standard Widht 850 mm**

<b>Item</b>	<b>Part No.</b>	<b>Rem. Qty</b>	<b>Description</b>	<b>Code</b>
1	4700288352	1	Drum	
2	4700286387	1	Cover	
3	4700500047	6	Screw	
4	4700904233	10	Washer	21x36x3
5	4700500205	10	Screw	
6		1	Drum motor ( Page 42 )	

Scrapers for standard drums with width 850 mm

17910



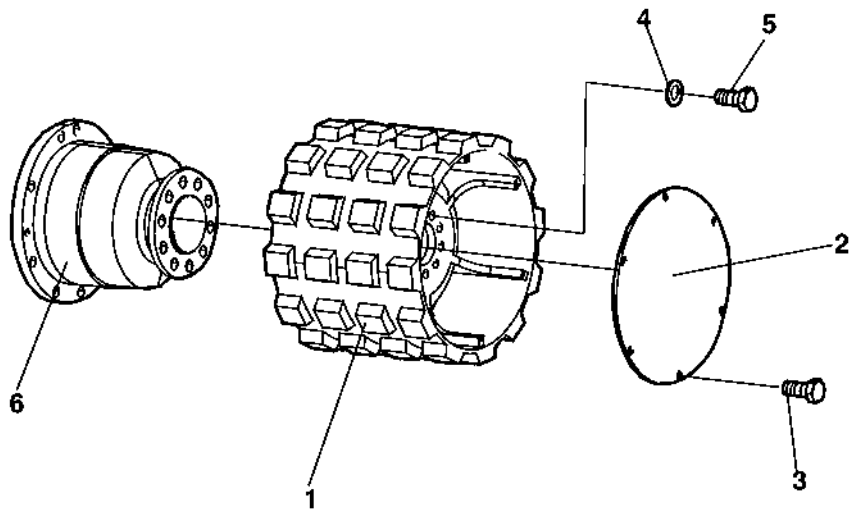
**Scrapers for standard drums with width 850 mm**

<b>Item</b>	<b>Part No.</b>	<b>Rem. Qty</b>	<b>Description</b>	<b>Code</b>
1		A 1	Frame	
2	4700388073	4	Scraper Up to 18500201 and 214	
	4700379625	4	Scraper From 18500202 not 214	
3	4700388074	4	Scraper Up to 18500201 and 214	
	4700379626	4	Scraper From 18500202 not 214	
4	4700904231	16	Washer	13x24x2 300 HV
5	4700947691	8	Screw	
6	4700792524	8	Nut	

A) See section lower part

**Drums, option Widht 630 mm**

17916



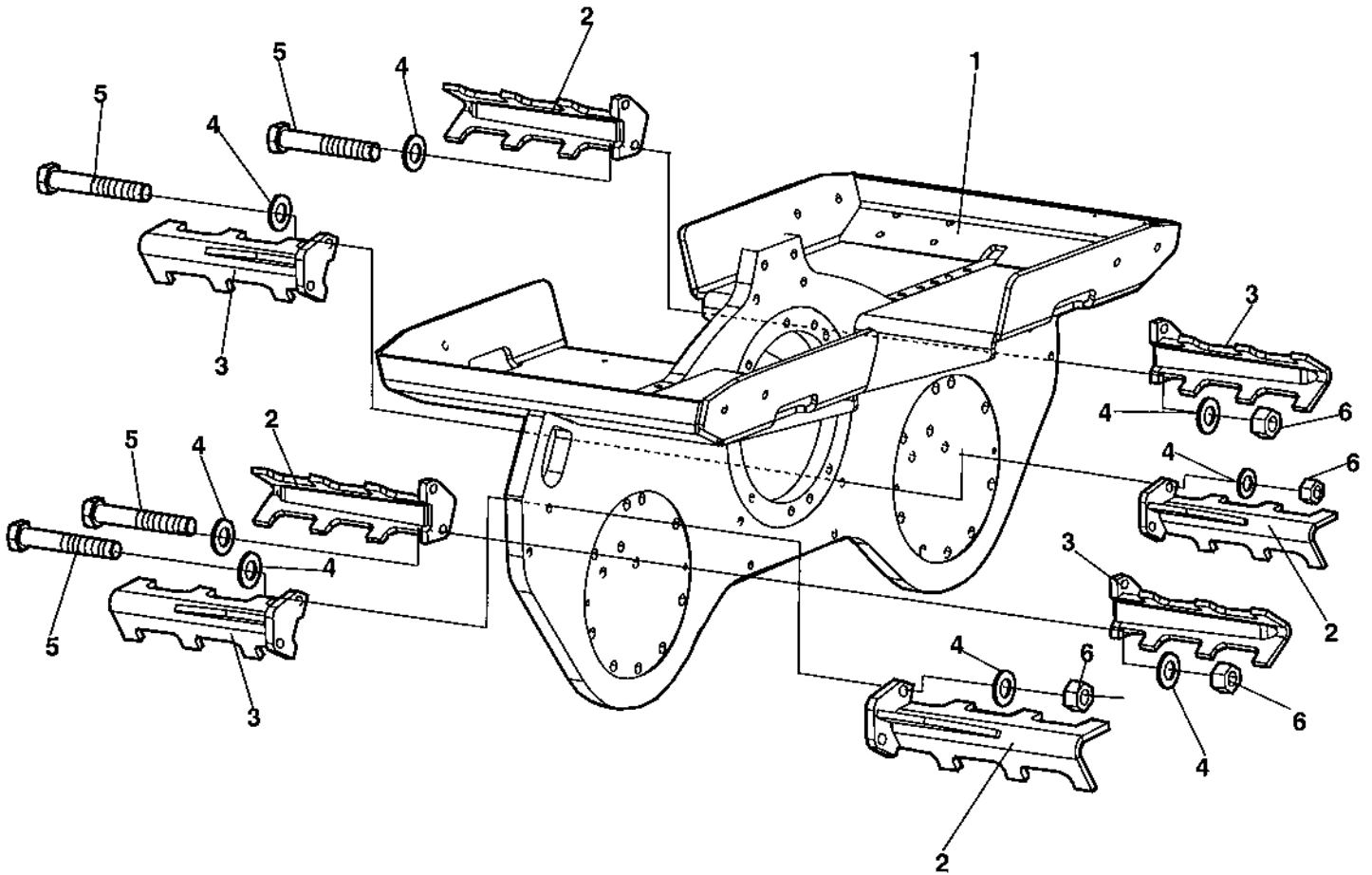


**Drums, option Widht 630 mm**

<b>Item</b>	<b>Part No.</b>	<b>Rem. Qty</b>	<b>Description</b>	<b>Code</b>
1	4700288359	1	Drum	
2	4700286387	1	Cover	
3	4700500047	6	Screw	
4	4700904233	10	Washer	21x36x3
5	4700500205	10	Screw	
6		1	Drum motor ( Page 42 )	

Scrapers for option drums with width 630 mm

17910



**Scrapers for option drums with width 630 mm**

<b>Item</b>	<b>Part No.</b>	<b>Rem. Qty</b>	<b>Description</b>	<b>Code</b>
1		A 1	Frame	
2	4700376556	4	Scraper Up to 18500201 and 214	
	4700393150	4	Scraper From 18500202 not 214	
3	4700376557	4	Scraper Up to 18500201 and 214	
	4700393151	4	Scraper From 18500202 not 214	
4	4700904231	16	Washer	13x24x2 300 HV
5	4700947691	8	Screw	
6	4700792524	8	Nut	

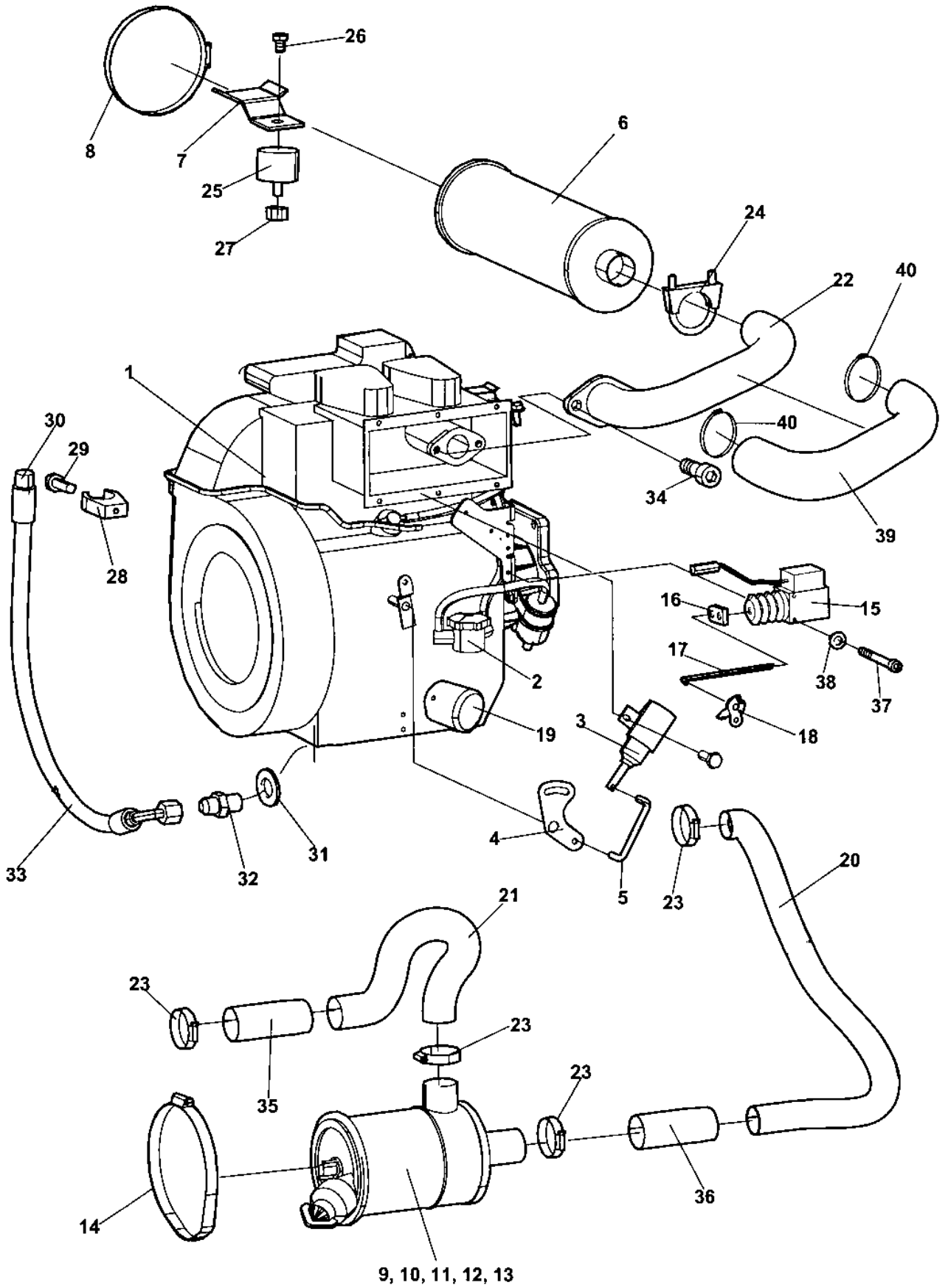
A) See section lower part



**Engine, engine installation and fuel system**

<b>Item</b>	<b>Part No.</b>	<b>Rem. Qty</b>	<b>Description</b>	<b>Code</b>
10			Engine ( Page 30 )	
20			Fuel system ( Page 32 )	
30			Engine installation ( Page 34 )	

**Engine**  
17882-3



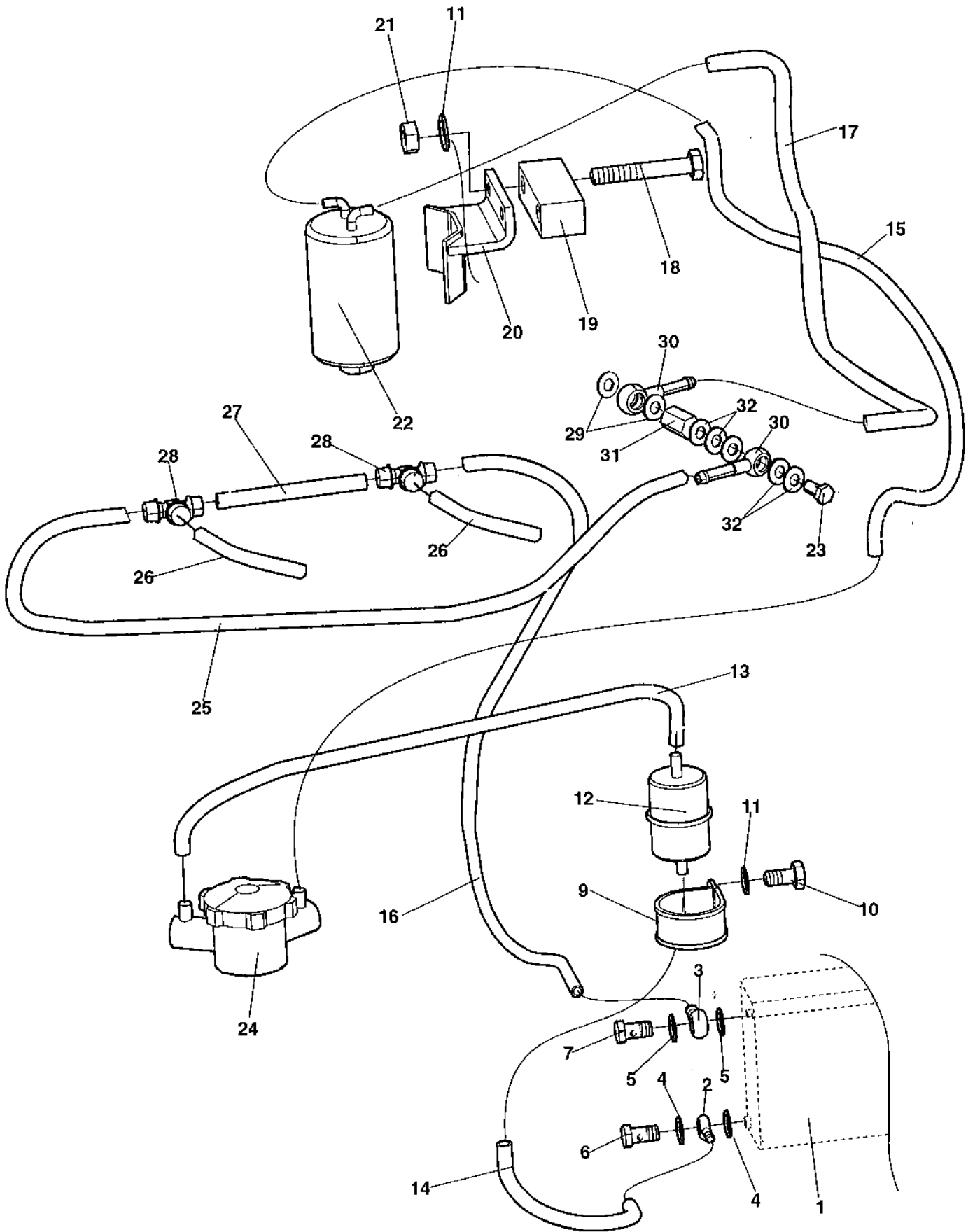
**Engine**

Item	Part No.	Rem. Qty	Description	Code
1	4700379106	1	Engine, cpl	Hatz 2G40
	4700903346	1	Starter	
2		1	.Fuel system ( Page 32 )	
3	4700940218	1	.Solenoid	
4		1	.Bracket	
5		1	.Arm	
6	4700239592	1	.Muffler	D
7	4700378448	2	.Bracket	
8	4700239593	2	.Clamp	
9	4700239595	1	.Air filter, cpl	
10	4700239596	1	..Filter element	A
11	4700239597	1	..Nut	
12	4700239598	1	..Cover	
13	4700239599	1	..Evacuator valve	
14		1	.Clamp	
15	4700940417	1	.Solenoid	
16	4700940647	1	.Bracket	
17	4700940646	1	.Rod	
18		1	.Arm	
19	4700238380	1	.Oil filter	A
20	4700792247	C 1XL	Hose	B
21	4700792247	B 1XL	Hose	B
22	4700395064	1	Exhaust pipe	
23	4700313008	4	Hose clamp	D
24	4700313121	1	Clamp	
25	4700288329	2	Shock absorber	B
26	4700500042	2	Screw	
27	4700791182	2	Lock nut	M8
28	4700281118	1	Ryw-clips	
29	4700903386	1	Screw	
30	4700230400	1	Cap	D
31	4700747282	1	Copper washer	
32	4700288236	1	Adapter	
33	4700287336	1	Hydraulic hose	
34	4700508029	2	Screw	M10-1,5x30H 8,8
35	4700288321	D 1	Hose protection	
36	4700288321	D 1	Hose protection	
37	4700508083	A 2	Screw	
38	4700904228	A 2	Washer	6,4x12x1,5
39	4700395068	E 1XL	Insulation	
40	4700792653	2	Cable tie	

- A) Supplied with engine
- B) L = 0,44 m
- C) L = 0,88m
- D) Old version, not in use anymore
- E) L = 0,35 m

**Fuel system**

17881-2



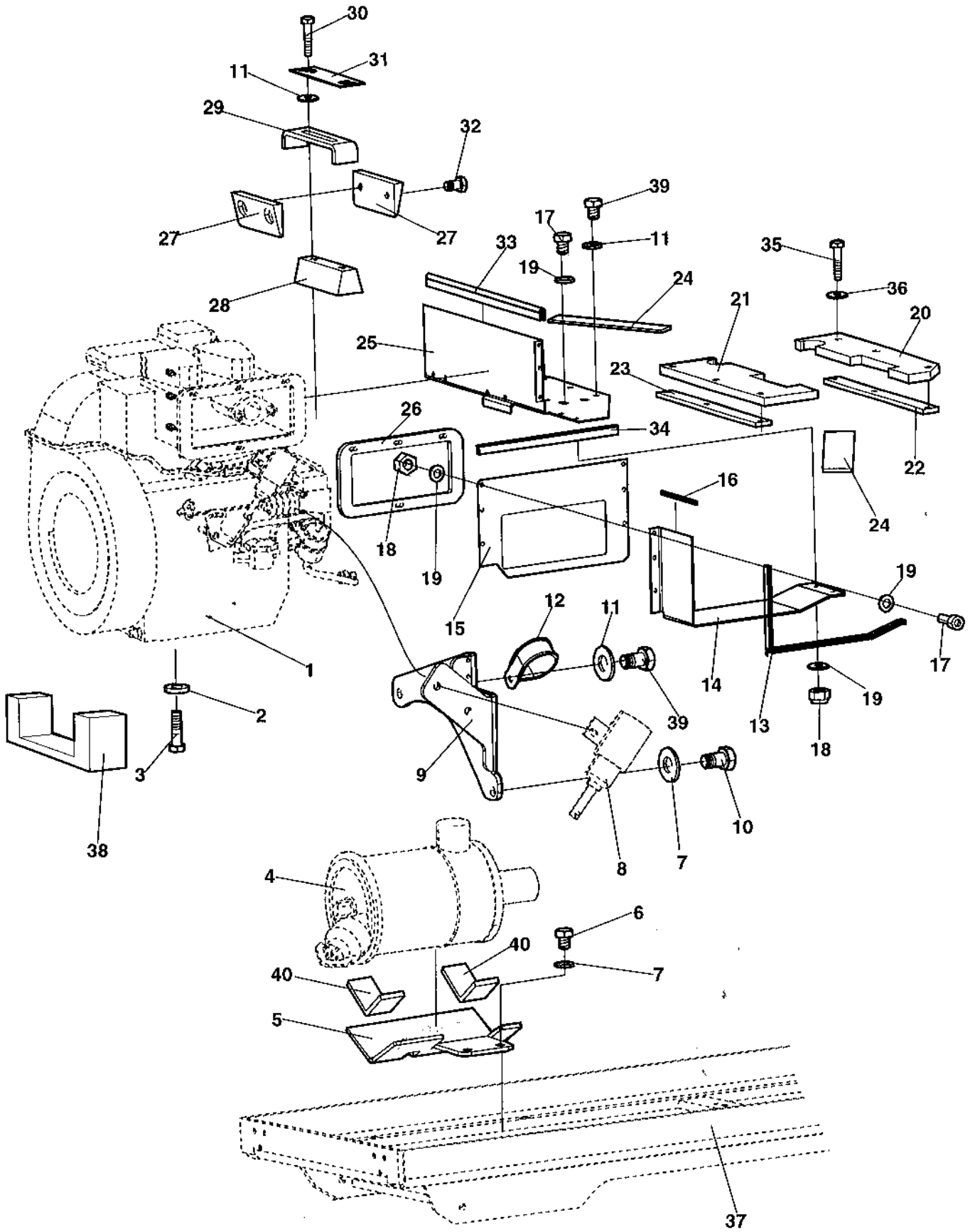


**Fuel system**

Item	Part No.	Rem. Qty	Description	Code
1		1	Fuel tank ( Page 14 )	
2	4700901121	1	Banjo fitting	14x6 Hose 8
3	4700334041	1	Banjo nipple	
4	4700747282	2	Copper washer	
5	4700748115	2	Copper washer	D
6	4700330171	1	Hollow screw	
7	4700230195	1	Hollow screw	
8	4700239673	1	Fuel hose	
9	4700283711	1	Hose clamp	
10	4700500019	1	Screw	
11	4700904229	3	Washer	8,4x16x1,5
12	4700238360	1	Fuel filter	A
13	4700937429	1	Fuel hose	
14	4700938332	1	Fuel hose	
15	4700940612	1	Fuel hose	
16		1	Fuel hose	
17	4700940612	1	Fuel hose	
18	4700500025	2	Screw	M8-1,25x50 8,8
19	4700288301	1	Spacer	
20	4700288447	1	Bracket	
21	4700586003	2	Lock nut	M8
22	4700239602	1	Fuel filter with separator	A
23	4700238382	1	Hollow screw	
24	4700238378	1	Injection pump	
	4700938313	1	Shim	
	4700938314	1	Shim	
25	4700238356	1	Fuel hose	
26	4700940610	2	Fuel hose	
27	4700238353	1	Fuel hose	
28	4700940611	2	T-connection	
29	4700748478	2	Washer	
30	4700238363	2	Banjo nipple	
31	4700238347	1	Nipple	
32	4700936907	4	Washer	

**Engine installation**

17883-2



**Engine installation**

Item	Part No.	Rem. Qty	Description	Code
1		A	Engine ( Page 30 )	
2	4700904231	8	Washer	13x24x2 300 HV
3	4700500031	8	Screw	
4		A	Air filter	
5	4700388656	1	Air filter bracket	
6	4700500053	2	Screw	M8x20H 8.8
7	4700904229	5	Washer	8,4x16x1,5
8		A	Solenoid	
9	4700940609	1	Bracket	
10	4700500019	1	Screw	
11	4700904230	9	Washer	
12	4700921119	1	Pipe clamp	
13	4700287724	C 1XL	Edge trim	
14	4700288117	1	Plate	
15	4700288116	1	Plate	
16	4700287724	D 1XL	Edge trim	
17	4700508002	8	Screw	
18	4700570004	8	Nut	M6X1,00 -8 A2K
19	4700904228	16	Washer	6,4x12x1,5
20	4700378147	1	Gasket	
21	4700378146	1	Gasket	
22	4700288353	1	Plate	
23	4700288354	1	Plate	
24	4700297018	B 2XL	Rubber strip	
25	4700288118	1	Plate	
26	4700288332	1	Gasket	
27	4700288416	2	Key	
28	4700393359	1	Key	
29	4700381803	1	Plate	
30	4700500296	2	Screw	
31	4700383839	1	Lock washer	
32	4700500188	4	Screw	M8-1,25x14 8,8
33	4700288177	E 1XL	Edge trim	
34	4700287724	F 1XL	Edge trim	
35	4700500015	6	Screw	M6-1x30 8,8
36	4700928381	6	Washer	6,4x18x1,6
37			Frame	
38	4700288098	1	Air guide	
39	4700500028	5	Screw	
40	4700202046	2XL	Rubber strip	25x10

- A) See section engine
- B) L=0,12m
- C) L=0,56m
- D) L=0,26m
- E) L=0,43m
- F) L=0,46m

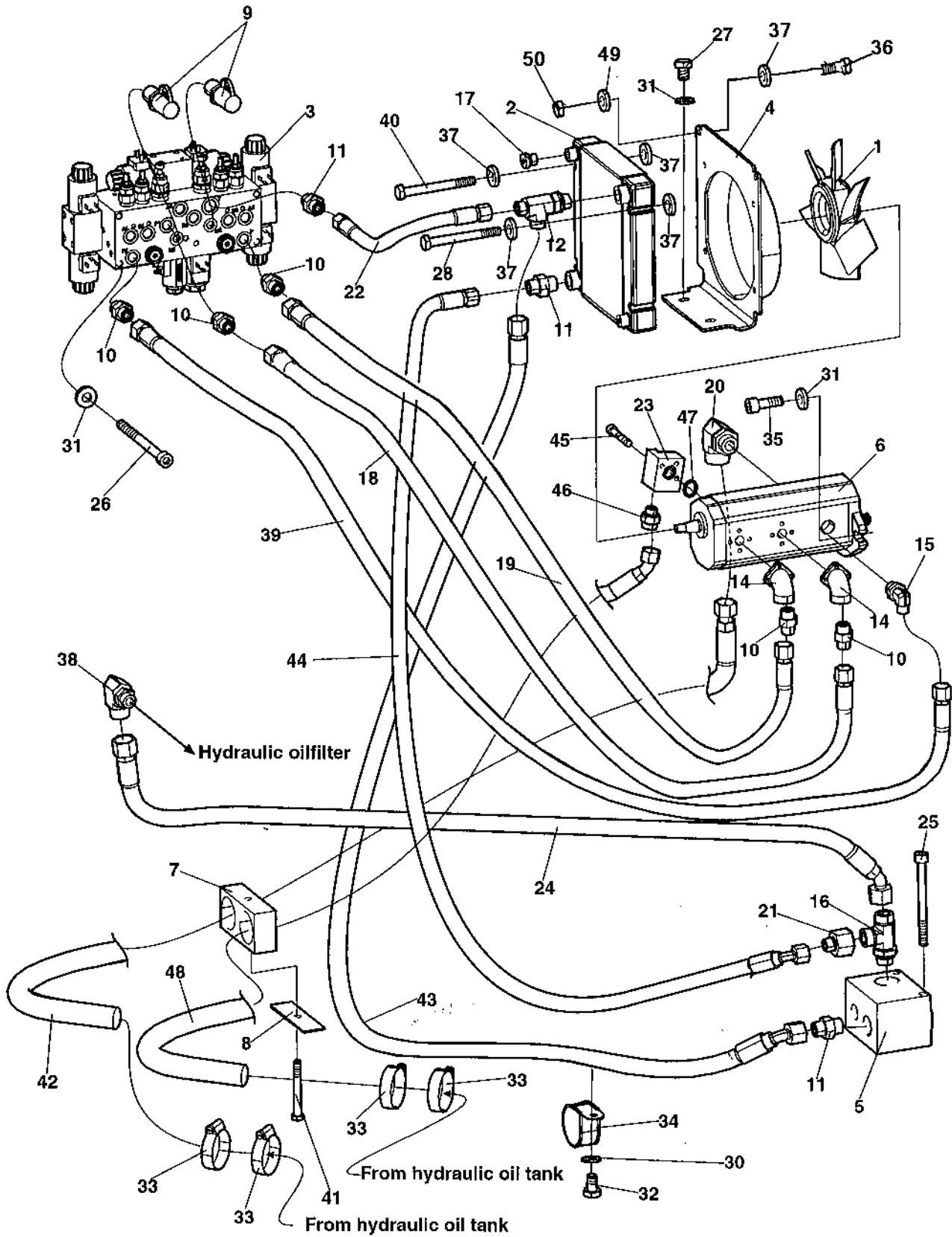


**Hydraulic system**

<b>Item</b>	<b>Part No.</b>	<b>Rem. Qty</b>	<b>Description</b>	<b>Code</b>
10			Hydraulic block, hydraulic pump and cooler ( Page 38 )	
20			Hydraulic system for wheel motors ( Page 40 )	
30			Drum motor ( Page 42 )	
40			Hydraulic block ( Page 44 )	
50			Hydraulic pump installation ( Page 46 )	

**Hydraulic block, hydraulic pump and cooler**

17929-2

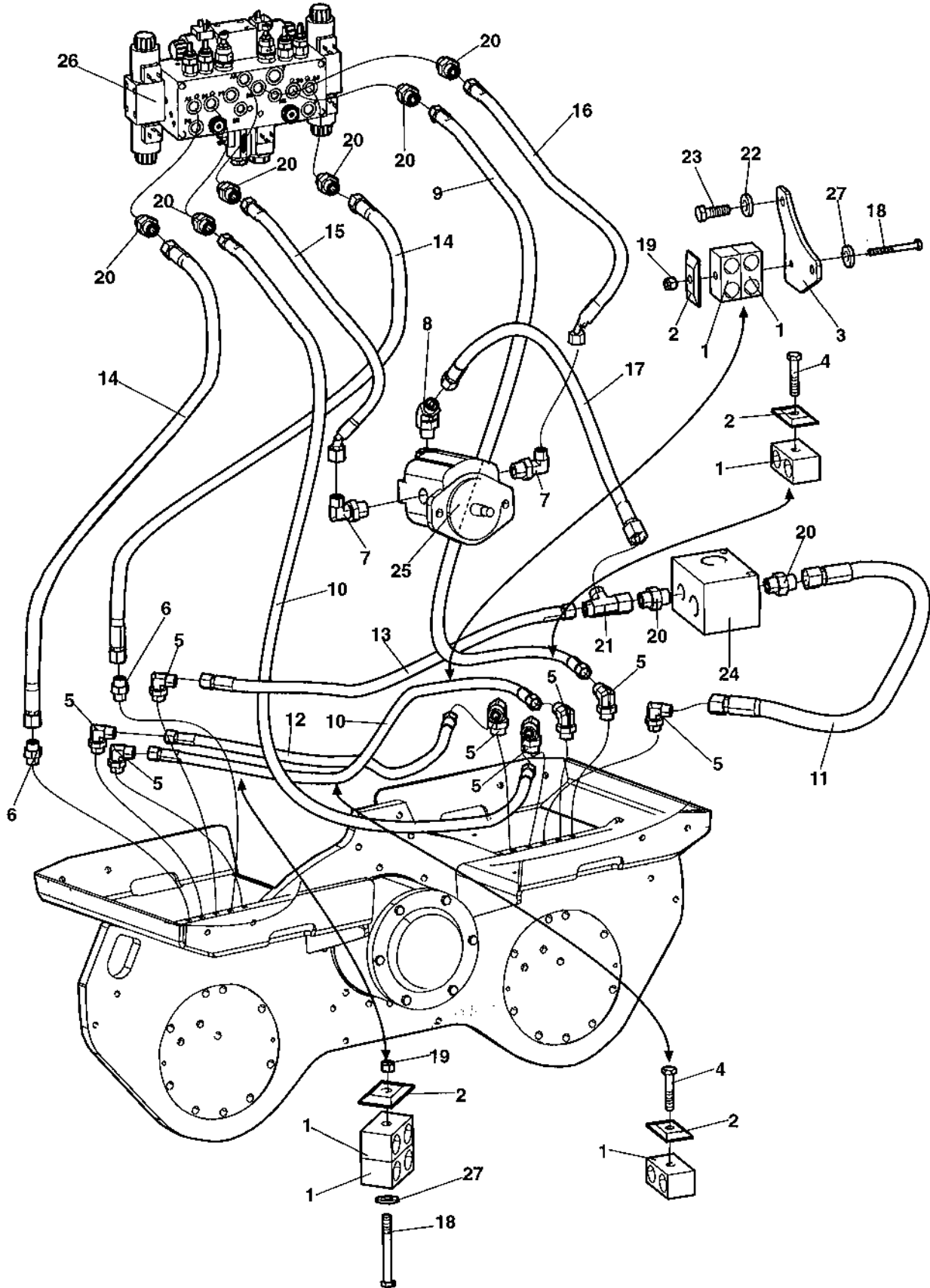


Hydraulic block, hydraulic pump and cooler

Item	Part No.	Rem. Qty	Description	Code
1	4700382315	1	Fan	
2	4700394362	1	Hydraulic oil cooler	
3		1	Hydraulic block ( Page 44 )	
4	4700396554	1	Cooler bracket	
5	4700389738	1	Hydraulic block	
6	4700388223	1	Hydraulic pump	
7	4700792252	1	Pipe clamp	
8	4700791932	1	Plate	
9	4700923405	2	Measuring nipple	D
10	4700791404	5	Straight o-ring connector	
11	4700791407	3	Straight o-ring connector	
12	4700791792	1	Tee-connector	
13	4700791414	1	T-connection, O-ring with swivel	
14	4700377238	2	Connection	
15	4700791399	1	Elbow 90, O-ring	
16	4700791793	1	Tee-connector	
17	4700791714	1	Plug	
18	4700483632	1	Hydraulic hose	
19	4700483687	1	Hydraulic hose	
20	4700791400	1	Elbow 90, O-ring	
21	4700791791	1	Reducer	
22	4700483638	1	Hydraulic hose	
23	4700376547	1	Flange	
24	4700483642	1	Hydraulic hose	
25	4700508070	2	Screw	
26	4700791710	4	Screw	
27	4700500028	2	Screw	
28	4700500026	3	Screw	M8-1,25x60 8,8
30	4700904230	1	Washer	
31	4700904557	8	Washer	
32	4700513023	1	Screw	
33	4700313035	4	Hose clamp	
34	4700903703	1	Clamp	
35	4700508029	2	Screw	M10-1,5x30H 8,8
36	4700500022	2	Screw	M8x30H 8.8 A2K
37	4700904556	9	Washer	8,4x16x3,0
38	4700791761	1	Elbow 90	
39	4700483627	1	Hydraulic hose	
40	4700500190	1	Screw	
41	4700500189	1	Screw	
42	4700376580	1	Hydraulic hose	
43	4700483686	1	Hydraulic hose	
44	4700483685	1	Hydraulic hose	
45	4700508026	3	Screw	
46	4700791631	1	Straight connector	
47	4700160155	1	O-ring	
48	4700376581	1	Hydraulic hose	
49	4700904229	2	Washer	8,4x16x1,5
50	4700570005	2	Nut	M8

Hydraulic system for wheel motors

17931-2





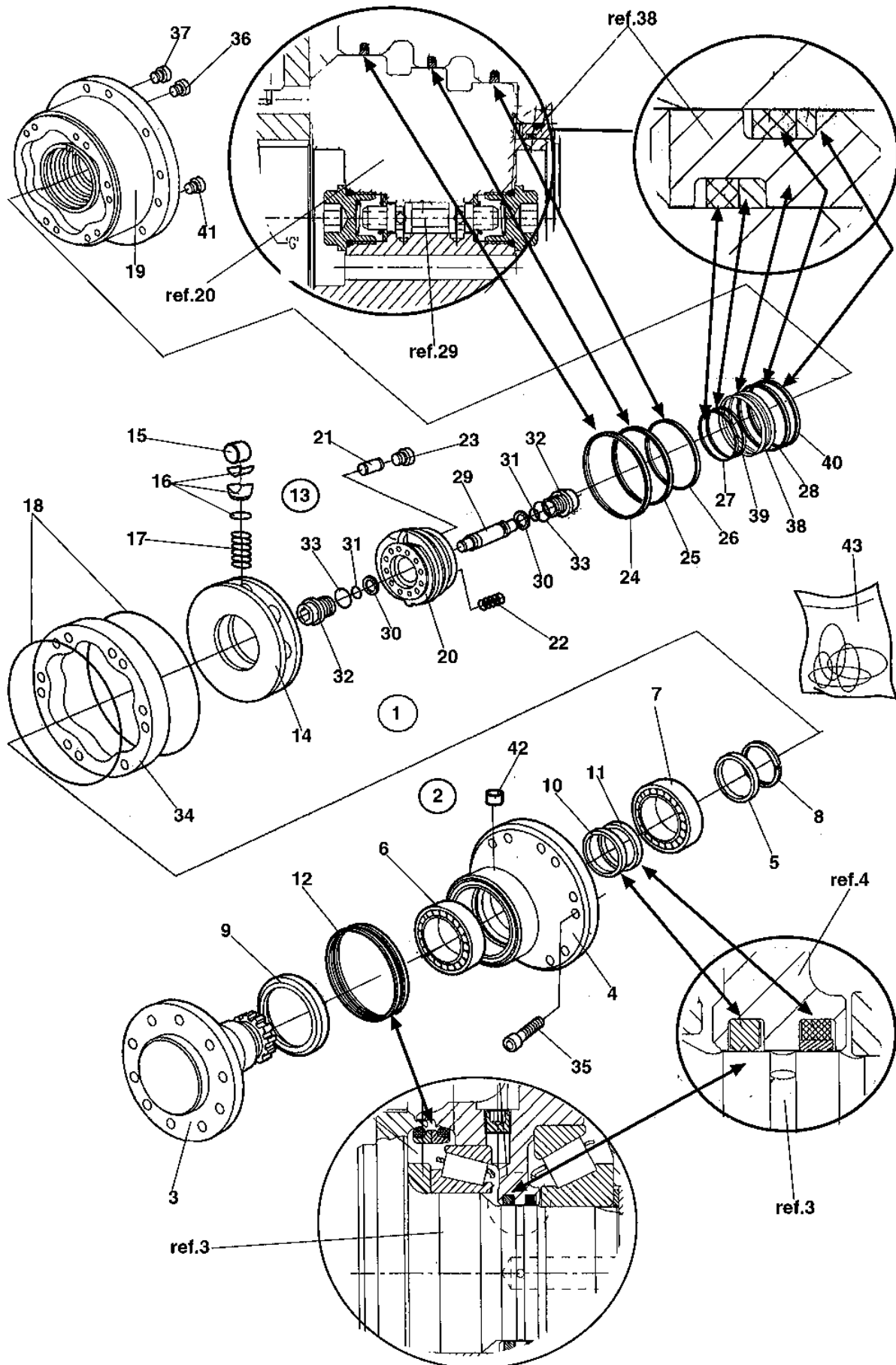
Hydraulic system for wheel motors

Item	Part No.	Rem. Qty	Description	Code
1	4700288161	6	Clamp	
2	4700288162	4	Cover plate	
3	4700388520	1	Bracket	
4	4700500024	2	Screw	M8x45
5	4700791398	8	Elbow 90, O-ring	
6	4700791404	2	Straight o-ring connector	
7	4700791399	2	Elbow 90, O-ring	
8	4700791397	1	Elbow 90, O-ring	
9	4700483629	1	Hydraulic hose	
10	4700483671	2	Hydraulic hose	
11	4700483631	1	Hydraulic hose	
12	4700483632	1	Hydraulic hose	
13	4700483633	1	Hydraulic hose	
14	4700483634	2	Hydraulic hose	
15	4700483892	1	Hydraulic hose	
16	4700483636	1	Hydraulic hose	
17	4700483631	1	Hydraulic hose	
18	4700500190	2	Screw	
19	4700586003	2	Lock nut	M8
20	4700791404	7	Straight o-ring connector	
21	4700791414	1	T-connection, O-ring with swivel	
22	4700904230	2	Washer	
23	4700500028	2	Screw	
24		A	Hydraulic block	
25	4700389522	1	Hydraulic motor	
26		1	Hydraulic block ( Page 44 )	
27	4700904229	2	Washer	8,4x16x1,5

A) See section hydraulic block, hydraulic pump and cooler

**Drum motor**

18173



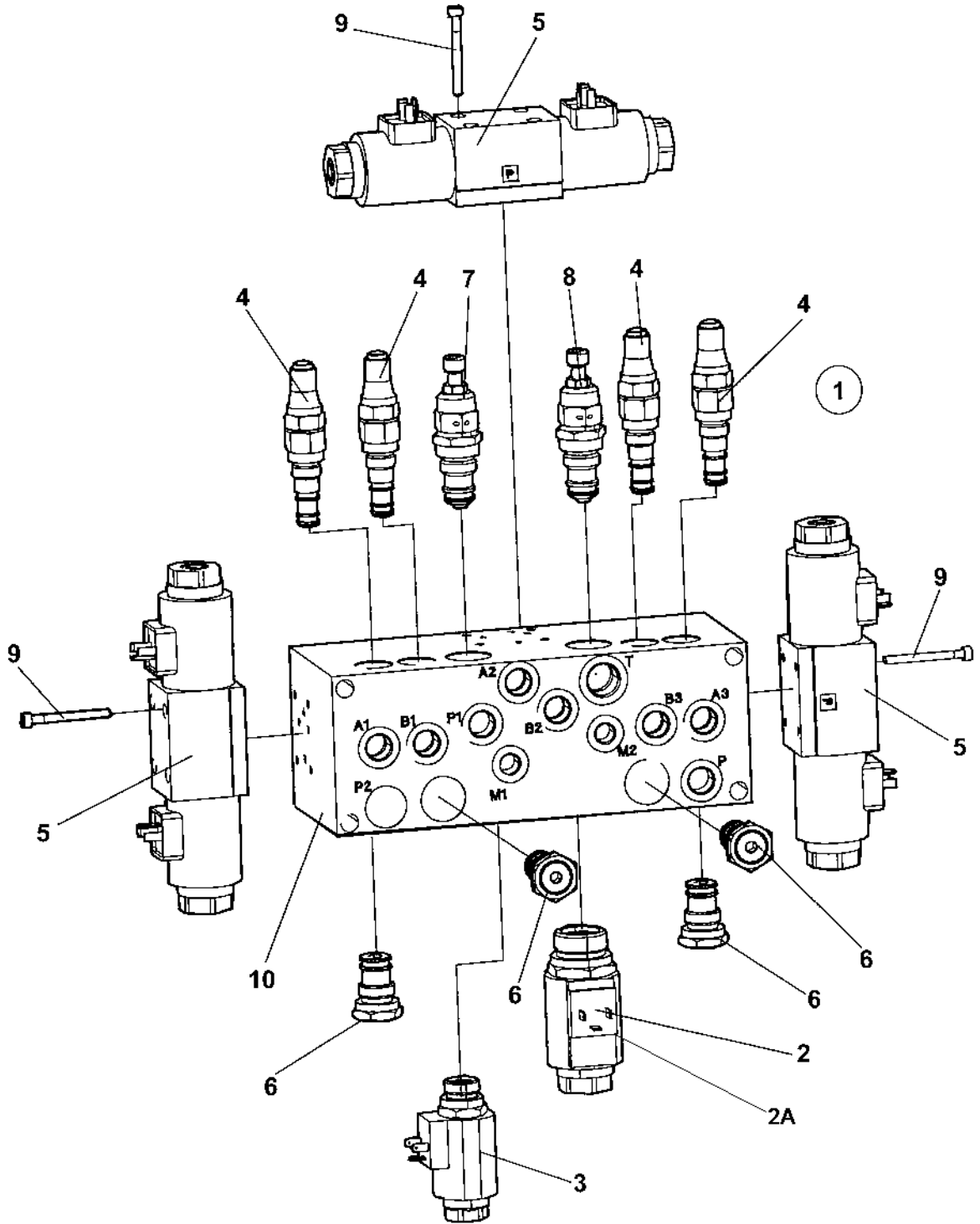
**Drum motor**

Item	Part No.	Rem. Qty	Description	Code
1	4700378700	1	Drum motor	
2	4700940619	1	.Housing, cpl	
3		A 1	..Shaft	
4		A 1	..Housing	
5	4700940620	1	..Washer	
6	4700939811	1	..Bearing	
7	4700940621	1	..Bearing	
8	4700940622	1	..Split ring	
9	4700939814	1	..Spacer ring	
10		B 1	..Seal	
11		B 1	..Seal	
12		B 1	.Seal	
13	4700940623	1	.Rotating group	
14	4700935981	1	..Cylinder block	
15		A 8	..Roller	
16		A 8	..Piston	
17	4700935983	8	..Spring	
18	4700909681	B 2	.O-ring	
19	4700940624	1	.Rear housing	
20	4700940625	1	.Distributor ring	
21	4700935988	1	.Dowel	
22	4700902398	9	.Spring	
23	4700935989	1	.Plug	
24		B 1	.Seal	
25		B 1	.Seal	
26		B 1	.Seal	
27		B 1	.Seal	
28		B 1	.Back-up ring	
29	4700940626	1	.Spool flushing	
30	4700939825	2	.Washer	
31	4700935997	2	.Spring	
32	4700935998	2	.Plug	
33		B 2	.O-ring	
34	4700935981	C 1	.Cylinder block	
35	4700936001	12	.Screw	
36	4700936003	2	.Plug	
37	4700936002	1	.Plug	
38	4700940627	1	.Seal ring	
39		B 1	.Back-up ring	
40		B 1	.Back-up ring	
41	4700940628	1	.Plug	
42	4700939219	1	.Plug	
43	4700940644	1	.Seal kit	

- A) Not sold separately
- B) Not sold separately, included in gasket kit P/N 4700939810
- C) Included in complete rotating group, item 13

**Hydraulic block**

17932-1



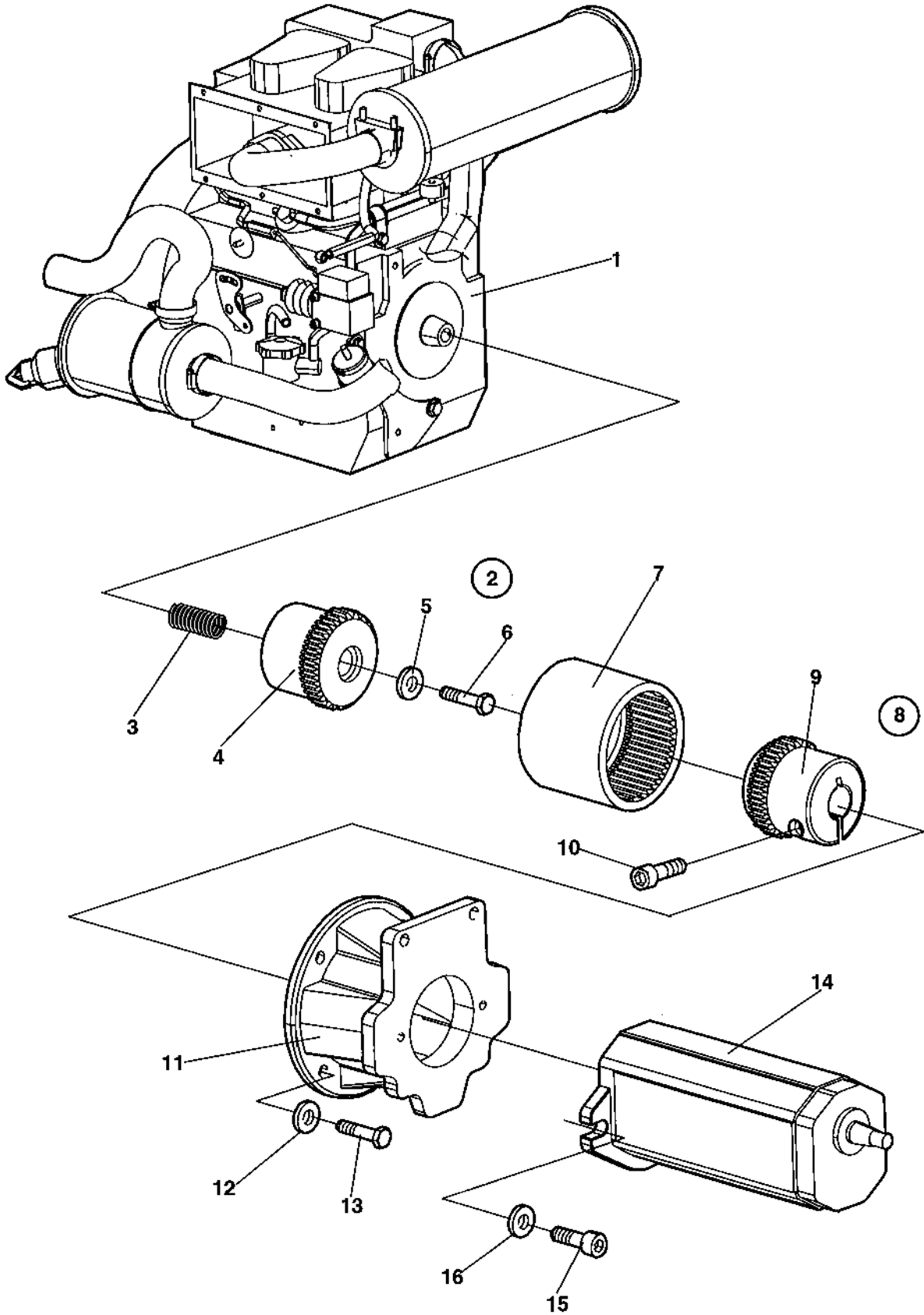
**Hydraulic block**

Item	Part No.	Rem. Qty	Description	Code
1	4700388222	1	Valve block	
2	4700940781	1	.Main valve	
	4700950285	A 1	Gasket kit	
3	4700940782	1	.High speed valve	
4	4700940790	4	.Cross over valve	
5	4700945740	3	.Control valve	
6	4700945739	4	.Non return valve	
7	4700945741	1	.Valve	
8	4700945826	1	.Valve	
9		12	.Scew	M5x50
10		1	.Block	Not sold separately

A) Consist of two(2) O-rings and one(1) backup ring

**Hydraulic pump installation**

18191



## Hydraulic pump installation

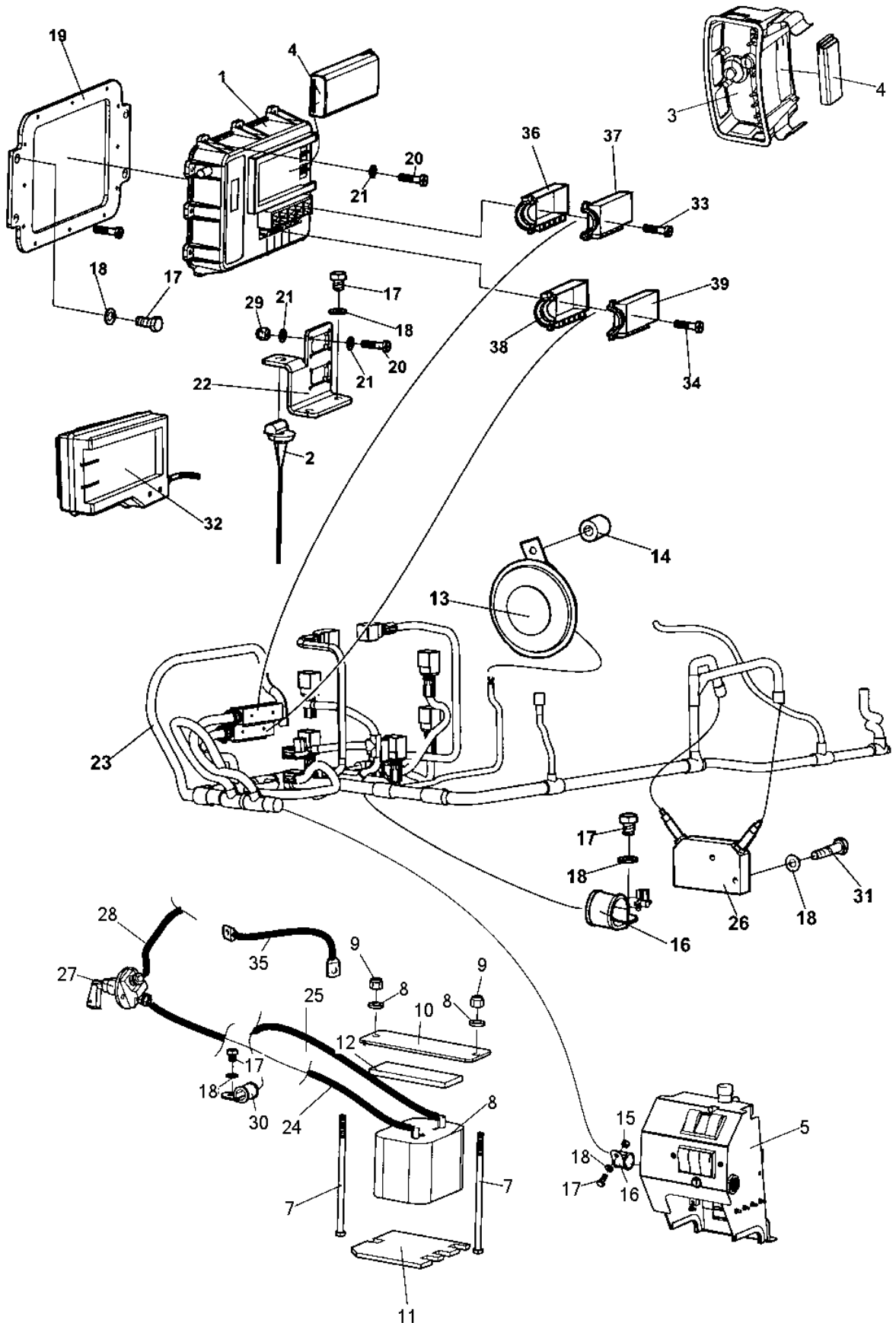
Item	Part No.	Rem. Qty	Description	Code
1		1	Engine	
2	4700939230	1	Flexible clutch, cpl	
3	4700909528	1	.Threaded insert	
4	4700940691	1	.Engine hub	C
5	4700940692	1	.Washer	C
6	4700940693	1	.Screw	
7	4700239600	1	.Clutch housing	
8	4700239601	1	Pump hub, cpl	
9		1	.Hub	
10		1	.Screw	
11	4700239605	1	Adapter	
12	4700238366	4	Washer	
13	4700940694	4	Screw	
14		1	Hydraulic pump	
15	4700904557	2	Washer	
16	4700508029	2	Screw	M10-1,5x30H 8,8





**Electrical equipment**

<b>Item</b>	<b>Part No.</b>	<b>Rem. Qty</b>	<b>Description</b>	<b>Code</b>
10			Electrical equipment ( Page 50 )	
20			Control panel ( Page 52 )	

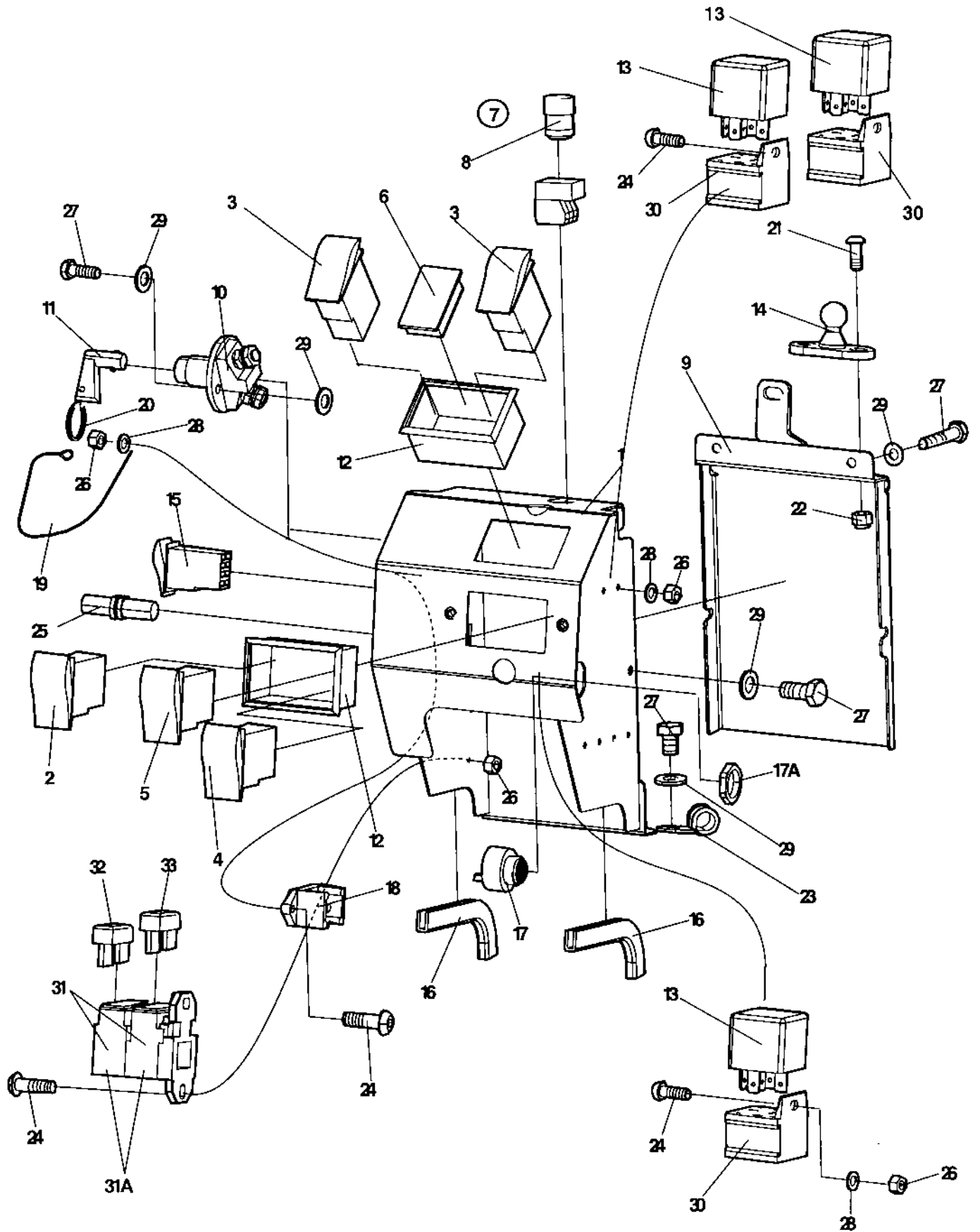


Item	Part No.	Rem. Qty	Description	Code
1	4700378351	1	Radio receiver	
2	4700389499	1	Antenna	
3	4700388994	1	Radio transmitter	
4	4700386068	2	Battery	
5		1	Control panel ( Page 52 )	
6	4700792023	1	Battery	
7	4700791136	2	Screw	M12x240 8,8
8	4700904703	2	Washer	
9	4700586019	2	Lock nut	
10	4700388574	1	Holder	
11	4700388553	1	Insulation	
12	4700388577	1	Insulation	
13	4700999027	1	Horn	D
14	4700357278	1	Spacer sleeve	
15	4700570005	1	Nut	M8
16	4700921056	2	Clamp	
17	4700500053	9	Screw	M8x20H 8.8
18	4700904229	10	Washer	8,4x16x1,5
19	4700388519	1	Plate	
20	4700533012	20	Screw	
21	4700904698	28	Washer	
22	4700389411	1	Bracket	
23	4700390623	1	Cable harness	
	4700313041	2	Cable ties	
24	4700791751	1	Battery cable	+
25	4700791752	1	Battery cable	-
26	4700388765	1	Tilt switch	
27		A	Battery switch	
28	4700791092	B	Connection cable	
29	4700923976	8	Nut	
30	4700904346	1	Clamp	
31	4700500047	2	Screw	
32	4700386070	E,G	Charger	230V, 7.2V DC
	4700386074	E,G	Charger	115V, 7.2V DC
	4700386280	E,G	Charger	12/24V
	4700391136	H	battry charger	
33	4700900243	C	Screw	M3 x 30
34	4700533083	D	Screw	M3 x 40
	4700900243	I	Screw	M3 x 30
35	4700287893	F	Cable	
36	4700791608	1	Contact piece, inner	
37	4700791609	1	Conact piece, outer	
38	4700791662	1	Contact piece, inner	
39	4700791663	1	Contact piece, outer	

- A) See section control panel
- B) Connected to engine starter
- C) Mountring parts for the upper connection block
- D) Mounting parts for the lower connection block, old version
- E) Option
- F) Ground cable, connected between engine and farne
- G) Replaced by charger 4700391136
- H) New version, charger for 110V, 220V and 12 V. Replacment for former chargers.
- I) Mounting parts for the lower connection block, new version

**Control panel**

17917-4



**Control panel**

Item	Part No.	Rem. Qty	Description	Code
1	4700388640	1	Control panel Up to 18500104	
	4700377889	1	Control panel From 18500105	
2	4700791657	1	Switch, Hi-Lo Speed	
3	4700791653	2	Switch	
4	4700791656	1	Switch	
5	4700791655	1	Switch	
6	4700791588	1	Panel plug	
7	4700389844	1	Emergency stop, cpl	
8	4700389839	1	.Emergency stop	
9	4700389864	1	Cover	
10	4700357567	1	Battery switch, cpl	D
11	4700902560	1	.Handle	D
12	4700791658	2	Panel	
13	4700903956	6	Relay	D
14	4700791169	1	Door bumper	D
15	4700791654	1	Switch	
16	4700202028	C 2XL	Edge trim	
17	4700385599	A 1	Buzzer	
		A 1	.Nut	
18	4700392930	1	Junction box	
19	4700376008	1	Wire	
20	4700358254	1	Key-ring	
21	4700904696	2	Screw	
22	4700902284	2	Nut	M5
23	4700904346	1	Clamp	
24	4700904653	10	Screw	M5x16 A2-70
25	4700388649	1	Switch	
26	4700791476	10	Nut	M5 -8
27	4700500053	8	Screw	M8x20H 8.8
28	4700904281	12	Washer	5,3x10x1 300HV
29	4700904229	10	Washer	8,4x16x1,5
30		6	Relay holder	
31		2	Fuse holder	
31-A	4700940313	B 2	Cover	
32	4700901230	1	Fuse	30A
33	4700791042	1	Fuse	40A

- A) Supplied with buzzer
- B) Cover for fuse holder
- C) L=0,12 m

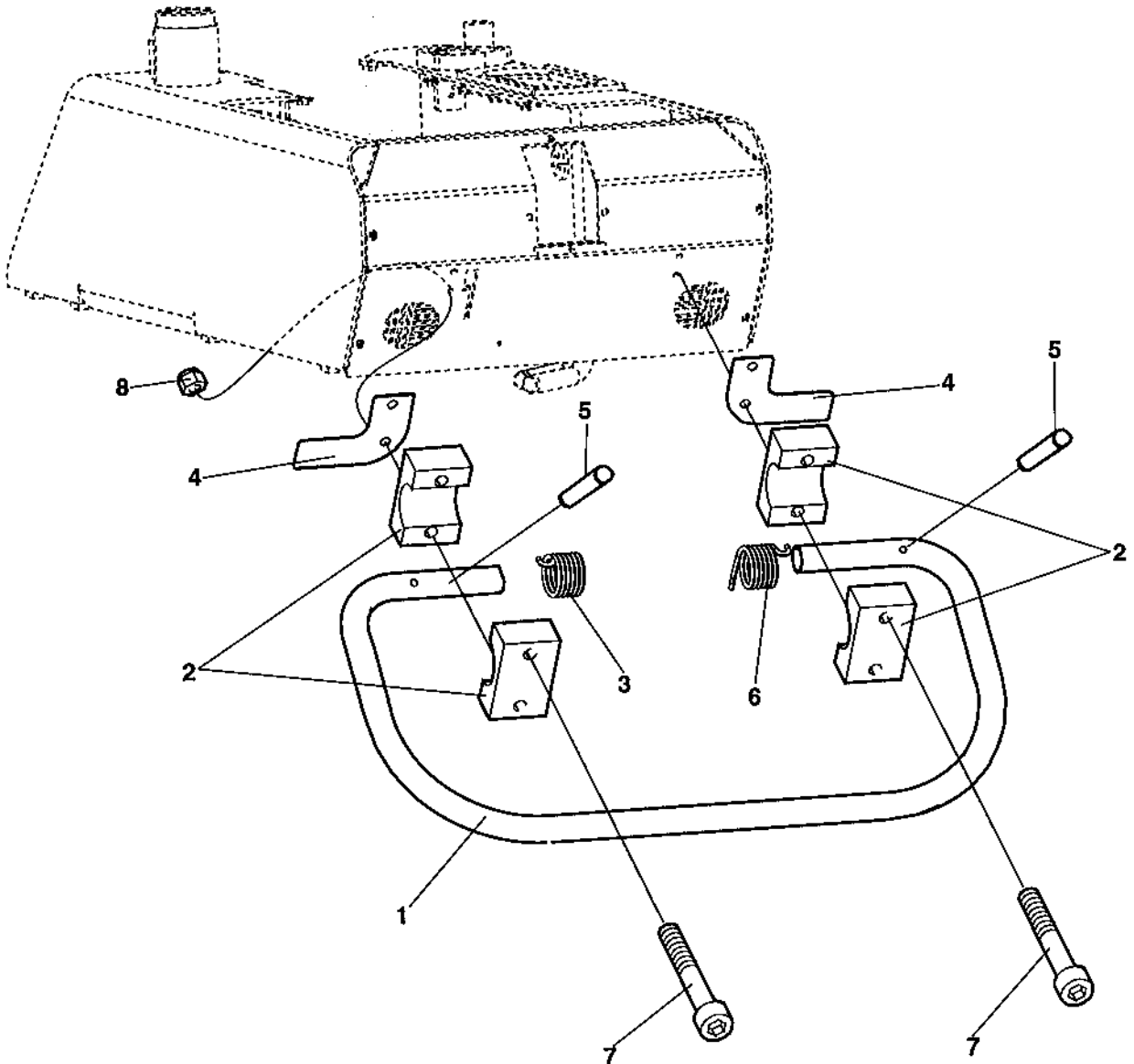
**Push stop, throttle control and parking brake**

**Push stop, throttle control and parking brake**

<b>Item</b>	<b>Part No.</b>	<b>Rem. Qty</b>	<b>Description</b>	<b>Code</b>
20			Push stop Up to 18500104 ( Page 56 )	
25			Push stop From 18500105 ( Page 58 )	
30			Parking brake ( Page 60 )	

**Push stop**

17885-1



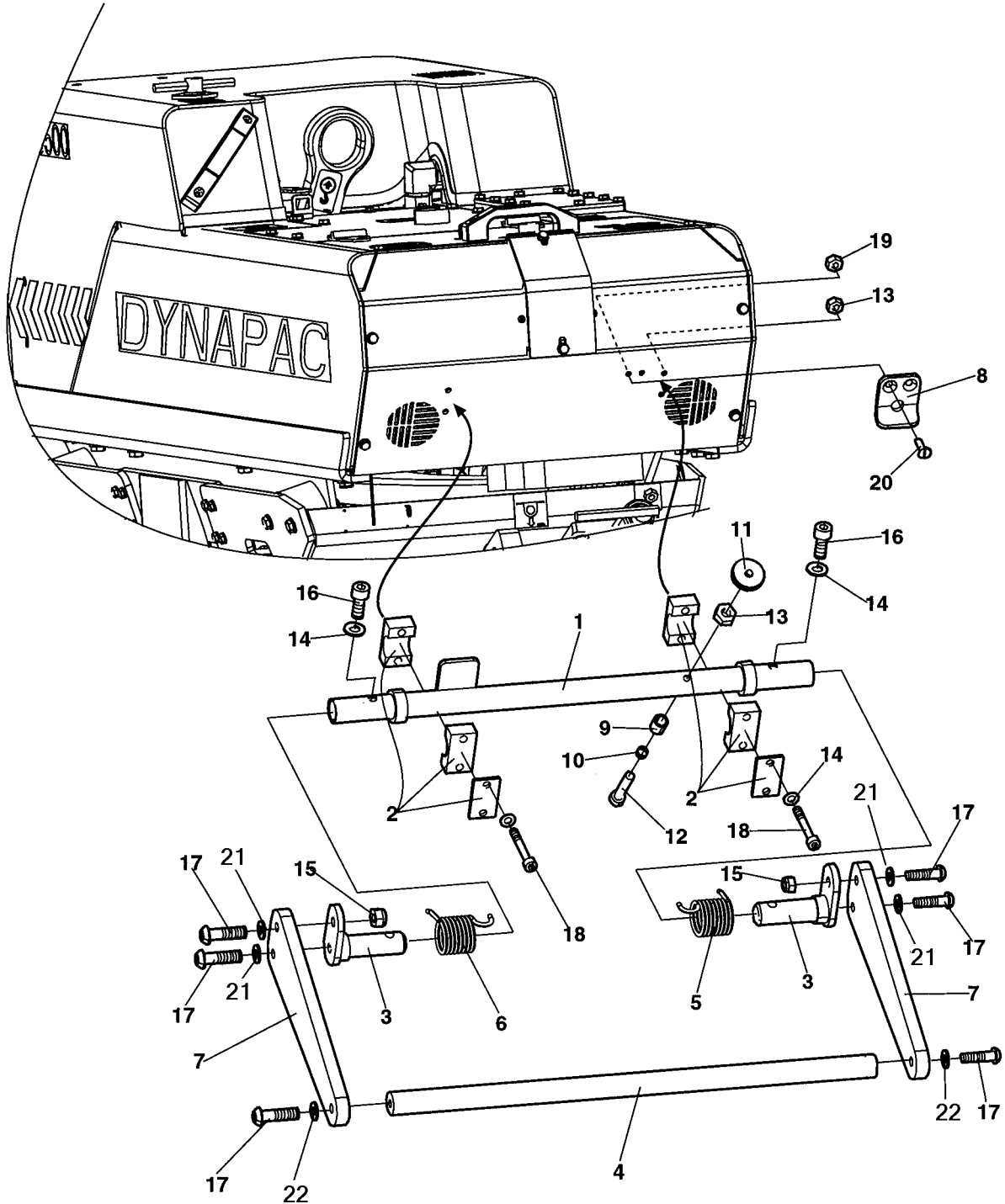


**Push stop**

<b>Item</b>	<b>Part No.</b>	<b>Rem. Qty</b>	<b>Description</b>	<b>Code</b>
1	4700388380	1	Handle	
2	4700377239	2	Clamp	
3	4700388781	1	Spring	
4	4700389081	2	Plate	
5	4700791664	2	Spirol pin	
6	4700389753	1	Spring	
7	4700508026	4	Screw	
8	4700904563	4	Lock nut	M6

**Push stop**

18150-1

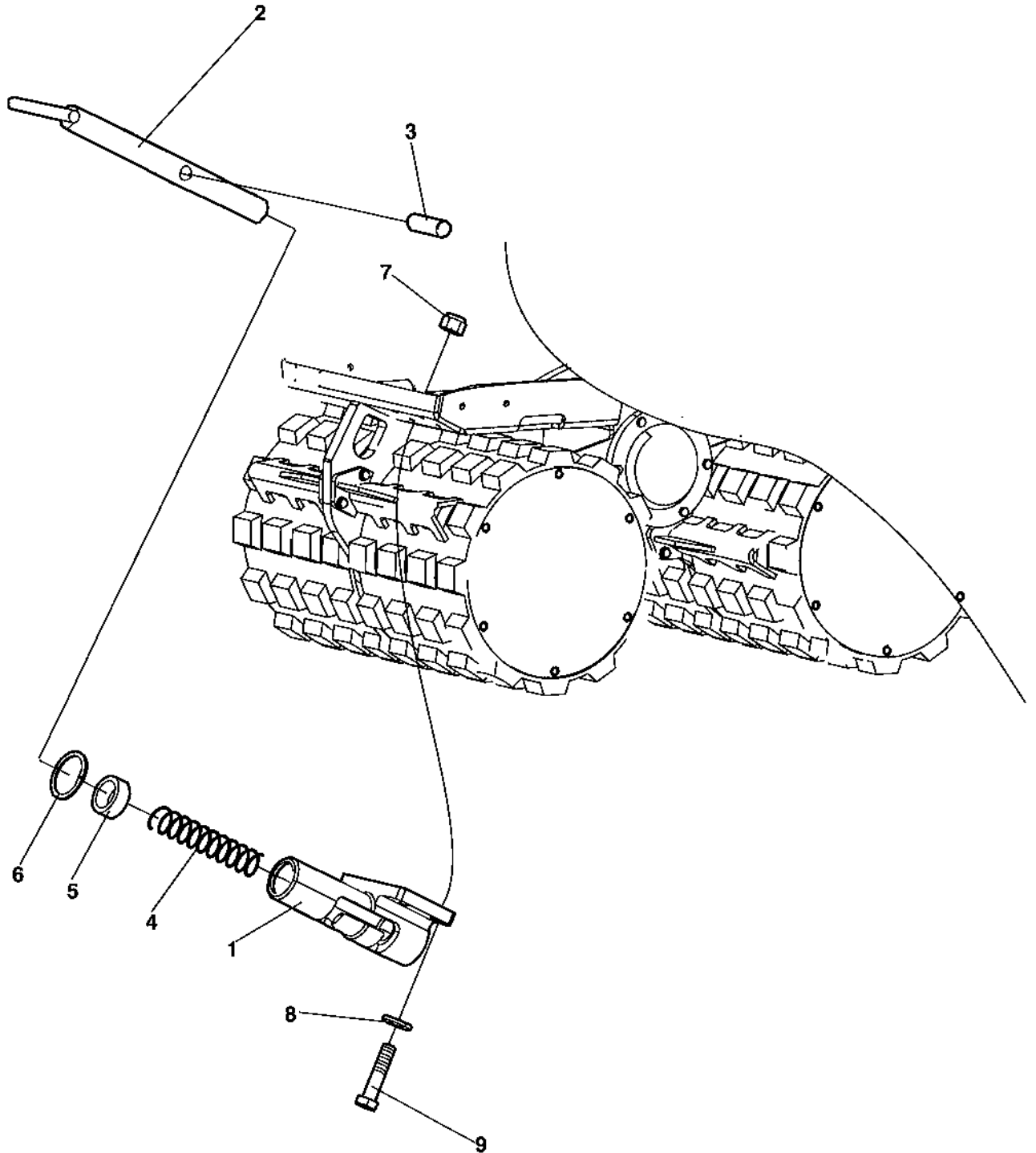


**Push stop**

<b>Item</b>	<b>Part No.</b>	<b>Rem. Qty</b>	<b>Description</b>	<b>Code</b>
1	D377527-01	1	Shaft	
2	4700377544	2	Clamp	
3	D377547-01	2	Bracket	
4	D377530-01	1	Handle	
5	4700377541	1	Spring	
6	4700377542	1	Spring	
7	4700377539	2	Lever	
8	4700377550	1	Stop	
9	4700377549	1	Spacer	
10	4700377548	1	Spring	
11	4700377551	1	Knob	
12	4700791322	1	Screw	
13	4700570004	3	Nut	M6X1,00 -8 A2K
14	4700904229	6	Washer	8,4x16x1,5
15	4700791182	2	Lock nut	M8
16	4700508092	2	Screw	
17	4700792107	6	Screw	
18	4700508076	4	Screw	
19	4700570005	4	Nut	M8
20	4700535015	2	Screw	
21	4700904654	6	Screw	
22	4700603009	2	Washer	

**Parking brake**

17911



**Parking brake**

<b>Item</b>	<b>Part No.</b>	<b>Rem. Qty</b>	<b>Description</b>	<b>Code</b>
1	4700286327	1	Housing	
2	4700288200	1	Piston	
3	4700288446	1	Pin	
4	4700288202	1	Spring	
5	4700288201	1	Washer	
6	4700151011	1	Snap ring	
7	4700586018	4	Lock nut	
8	4700615044	4	Washer	D
9	4700500161	4	Screw	

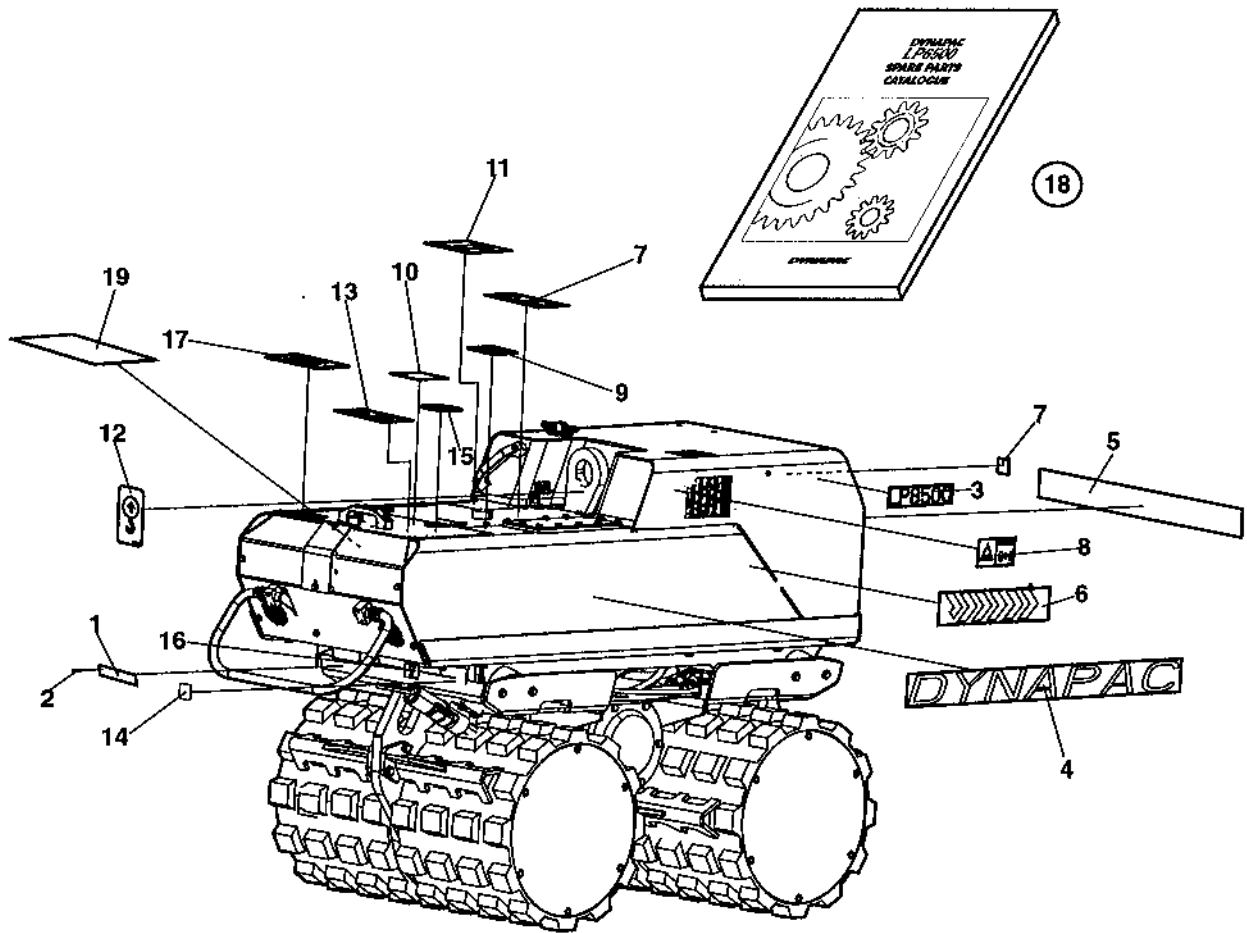


**Decals and documentation**

<b>Item</b>	<b>Part No.</b>	<b>Rem. Qty</b>	<b>Description</b>	<b>Code</b>
10			Decals and documentation ( Page 64 )	

Decals and documentation

17941-1





Decals and documentation

Item	Part No.	Rem. Qty	Description	Code
1	4700281270	1	Sign plate	
2	4700527002	4	Drive screw	
3	4700389094	2	Decal "LP8500"	
4	4700904093	2	Decal "DYNAPAC"	L=1010 mm
5	4700904263	1	Decal "DYNAPAC"	
6	4700389095	2	Decal	
7	4700903423	4	Decal "SAFETY"	
8	4700903424	1	Decal "HOT SURFACE"	
9	4700272373	1	Decal "HYDRAULIC OIL"	
10	4700791294	1	Decal "Sound power level"	106dB
11	4700991658	1	Decal "FUEL"	
12	4700281269	1	Decal "LIFT"	
13	4700904680	1	Decal "Read instruction manual"	
14	4700389944	1	Decal "Parking brake "	
15	4700281898	1	Decal "Ear protection"	
16	4700382751	2	Decal "TIE DOWN POINT"	
17	4700904835	1	Decal "BATTERY POWER"	
18		1	Documentation	
		1	.Instruction book, engine	
		1	.Operation and maintenance	ILP8500
		1	.Spare parts catalogue	SLP8500
		1	.Warranty registration certificate	
		1	.Warranty conditions	
19	4700389816	1	Instruction decal	
20	4700383705	1	Instruction book holder	
21		1	Operation and maintenance	ILP8500, format A5
22	4700357643	1	Wire	
23	4700358254	1	Key-ring	
24	4700903425	1	Decal "SAFETY MANUAL"	
25	4700904698	8	Washer	
26	4700500258	4	Screw	M4-0,7x20 8,8
27	4700570002	4	Nut	M4



**NUMERICAL INDEX**

Part Number	Page	Part Number	Page	Part Number	Page
4700150028	19	4700288187	9	4700377551	59
4700151011	61	4700288188	9	4700377889	53
4700160009	11	4700288194	9	4700378014	11
4700160155	39	4700288200	61	4700378015	11
4700162010	13	4700288201	61	4700378039	11
4700162011	13,15	4700288202	61	4700378146	35
4700202028	53	4700288204	9	4700378147	35
4700202046	35	4700288232	19	4700378351	51
4700202056	9	4700288236	31	4700378448	31
4700230195	33	4700288241	19	4700378700	43
4700230400	31	4700288301	33	4700379106	31
4700232143	13,15	4700288321	31	4700379625	23
4700238347	33	4700288329	31	4700379626	23
4700238353	33	4700288332	35	4700379628	11
4700238356	33	4700288352	21	4700381803	35
4700238360	33	4700288353	35	4700381946	9
4700238363	33	4700288354	35	4700382315	39
4700238366	47	4700288356	9	4700382751	65
4700238378	33	4700288359	25	4700383194	13
4700238380	31	4700288401	7	4700383245	13
4700238382	33	4700288409	9	4700383705	65
4700239592	31	4700288416	35	4700383839	35
4700239593	31	4700288446	61	4700385599	53
4700239595	31	4700288447	33	4700386068	51
4700239596	31	4700288460	13	4700386070	51
4700239597	31	4700288461	9	4700386074	51
4700239598	31	4700288469	13	4700386280	51
4700239599	31	4700288474	15	4700388073	23
4700239600	47	4700297018	35	4700388074	23
4700239601	47	4700313008	31	4700388222	45
4700239602	33	4700313035	39	4700388223	39
4700239605	47	4700313041	51	4700388380	57
4700239673	33	4700313121	31	4700388400	13
4700272373	65	4700330171	33	4700388514	13
4700281118	31	4700330328	13	4700388515	13
4700281269	65	4700334041	33	4700388519	51
4700281270	65	4700357278	51	4700388520	41
4700281898	65	4700357567	53	4700388553	51
4700282284	7,9	4700357643	65	4700388574	51
4700283711	33	4700358254	53,65	4700388577	51
4700286196	11	4700373460	15	4700388640	53
4700286327	61	4700373476	9	4700388649	53
4700286387	21,25	4700376008	53	4700388656	35
4700286409	9	4700376519	9	4700388658	9
4700286410	9	4700376520	9	4700388659	9
4700287336	31	4700376521	9	4700388734	7
4700287724	35	4700376547	39	4700388765	51
4700287893	51	4700376556	27	4700388778	7
4700288063	7	4700376557	27	4700388781	57
4700288065	19	4700376580	39	4700388994	51
4700288066	19	4700376581	39	4700389032	7
4700288067	19	4700376642	13	4700389037	7
4700288068	19	4700377238	39	4700389081	57
4700288098	35	4700377239	57	4700389094	65
4700288116	35	4700377245	9	4700389095	65
4700288117	35	4700377539	59	4700389411	51
4700288118	35	4700377541	59	4700389499	51
4700288161	41	4700377542	59	4700389522	41
4700288162	41	4700377544	59	4700389603	15
4700288177	35	4700377548	59	4700389604	13
4700288182	9	4700377549	59	4700389737	19
4700288185	9	4700377550	59	4700389738	39

**NUMERICAL INDEX**

Part Number	Page	Part Number	Page	Part Number	Page
4700389753	57	4700500189	39	4700791609	51
4700389771	9	4700500190	39,41	4700791631	39
4700389772	7	4700500194	19	4700791653	53
4700389816	65	4700500205	21,25	4700791654	53
4700389830	9	4700500239	7	4700791655	53
4700389831	9	4700500258	65	4700791656	53
4700389839	53	4700500296	35	4700791657	53
4700389844	53	4700508002	35	4700791658	53
4700389861	11	4700508026	39,57	4700791662	51
4700389864	53	4700508028	13	4700791663	51
4700389909	9	4700508029	19,31,39,47	4700791664	57
4700389944	65	4700508048	9	4700791710	39
4700389948	13	4700508056	7	4700791714	39
4700390623	51	4700508070	39	4700791751	51
4700391136	51	4700508076	59	4700791752	51
4700392930	53	4700508083	31	4700791761	39
4700393150	27	4700508092	59	4700791791	39
4700393151	27	4700513008	9	4700791792	39
4700393359	35	4700513009	9	4700791793	39
4700394362	39	4700513012	7	4700791932	39
4700395064	31	4700513017	9	4700792023	51
4700395068	31	4700513023	39	4700792107	59
4700396554	39	4700527002	65	4700792247	31
4700450066	7	4700533012	51	4700792252	39
4700483627	39	4700533083	51	4700792524	23,27
4700483629	41	4700535015	59	4700792653	31
4700483631	41	4700570002	65	4700900243	51
4700483632	39,41	4700570004	9,35,59	4700901121	33
4700483633	41	4700570005	9,39,51,59	4700901230	53
4700483634	41	4700570008	13	4700902284	53
4700483636	41	4700573008	7	4700902398	43
4700483638	39	4700586001	7	4700902560	53
4700483642	39	4700586002	7,9	4700903233	19
4700483671	41	4700586003	33,41	4700903346	31
4700483685	39	4700586018	7,61	4700903386	31
4700483686	39	4700586019	7,51	4700903423	65
4700483687	39	4700603009	59	4700903424	65
4700483892	41	4700606017	7	4700903425	65
4700499127	13	4700615044	61	4700903703	39
4700500015	35	4700624012	13	4700903956	53
4700500018	13	4700628025	19	4700904093	65
4700500019	7,33,35	4700747282	31,33	4700904228	7,9,31,35
4700500022	39	4700748115	33	4700904229	7,9,11,13,33,35
4700500023	11	4700748478	33		39,41,51,53,59
4700500024	41	4700791042	53	4700904230	7,9,11,35,39,41
4700500025	33	4700791092	51	4700904231	7,23,27,35
4700500026	39	4700791136	51	4700904232	9,11
4700500028	35,39,41	4700791169	53	4700904233	21,25
4700500029	11	4700791182	7,31,59	4700904263	65
4700500030	7,9	4700791294	65	4700904281	7,53
4700500031	35	4700791322	59	4700904346	51,53
4700500040	9	4700791373	7	4700904375	13
4700500042	31	4700791397	41	4700904504	7
4700500046	19	4700791398	41	4700904556	39
4700500047	21,25,51	4700791399	39,41	4700904557	19,39,47
4700500051	7	4700791400	39	4700904563	57
4700500053	7,35,51,53	4700791404	39,41	4700904639	9
4700500054	7	4700791407	39	4700904653	53
4700500056	7	4700791414	39,41	4700904654	59
4700500075	7	4700791476	53	4700904680	65
4700500161	9,61	4700791588	53	4700904696	53
4700500188	35	4700791608	51	4700904698	51,65

**NUMERICAL INDEX**

Part Number	Page	Part Number	Page	Part Number	Page
4700904703	7,51	4700945741	45		
4700904835	65	4700945826	45		
4700909528	47	4700947691	23,27		
4700909681	43	4700950285	45		
4700921056	51	4700991658	65		
4700921119	35	4700999027	51		
4700923405	39	D377527-01	59		
4700923976	51	D377530-01	59		
4700924762	11	D377547-01	59		
4700927974	13	D377880-01	7		
4700928381	35	D388218-01	13		
4700928444	11	D388253-01	15		
4700928632	7	D388495-01	7		
4700935377	13	D388496-01	7		
4700935981	43	D388581-01	7		
4700935983	43	D604044183	11		
4700935988	43				
4700935989	43				
4700935997	43				
4700935998	43				
4700936001	43				
4700936002	43				
4700936003	43				
4700936907	33				
4700937429	33				
4700938313	33				
4700938314	33				
4700938332	33				
4700939219	43				
4700939230	47				
4700939811	43				
4700939814	43				
4700939825	43				
4700940218	31				
4700940313	53				
4700940417	31				
4700940609	35				
4700940610	33				
4700940611	33				
4700940612	33				
4700940619	43				
4700940620	43				
4700940621	43				
4700940622	43				
4700940623	43				
4700940624	43				
4700940625	43				
4700940626	43				
4700940627	43				
4700940628	43				
4700940644	43				
4700940646	31				
4700940647	31				
4700940691	47				
4700940692	47				
4700940693	47				
4700940694	47				
4700940781	45				
4700940782	45				
4700940790	45				
4700945739	45				
4700945740	45				

