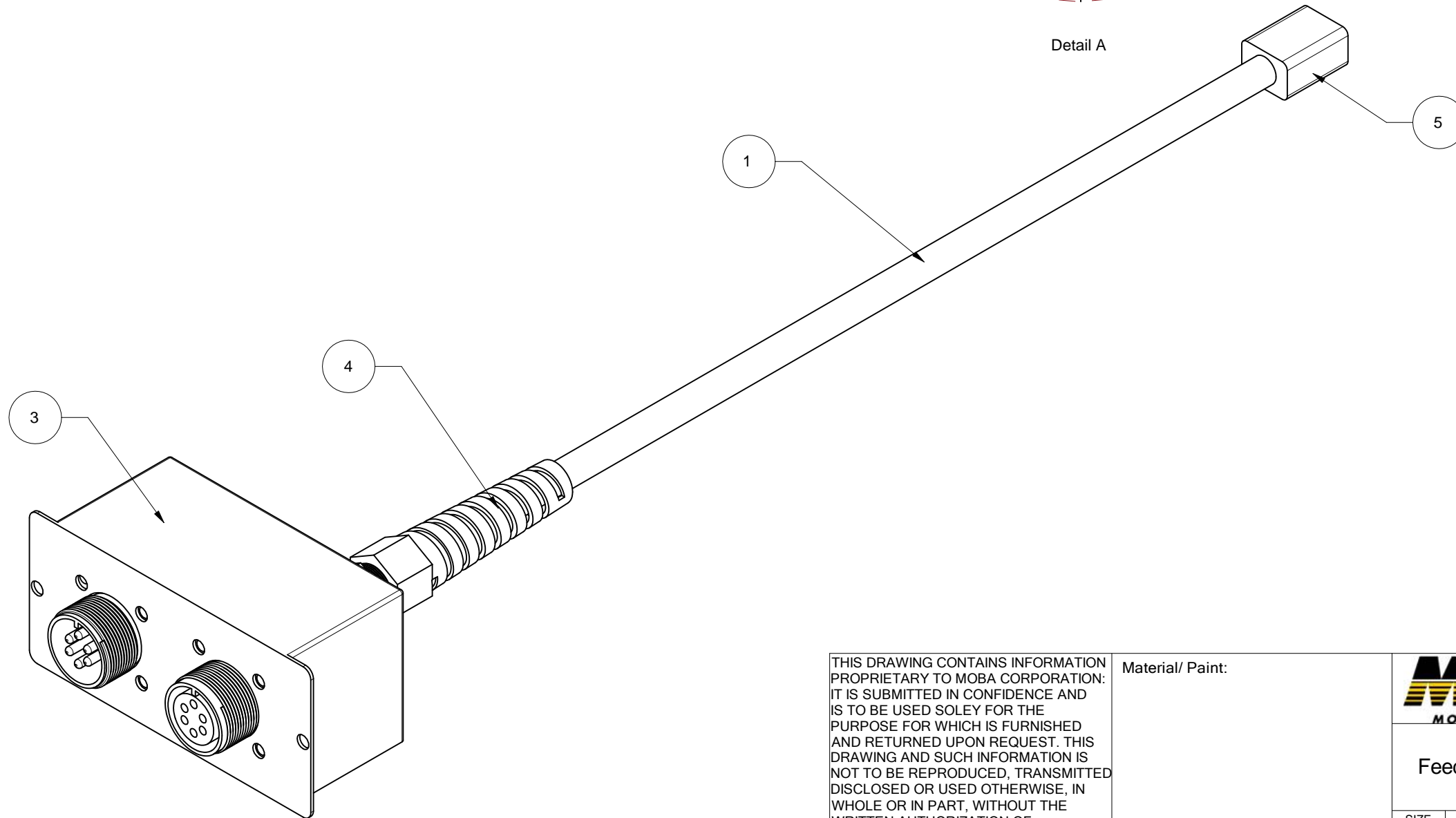
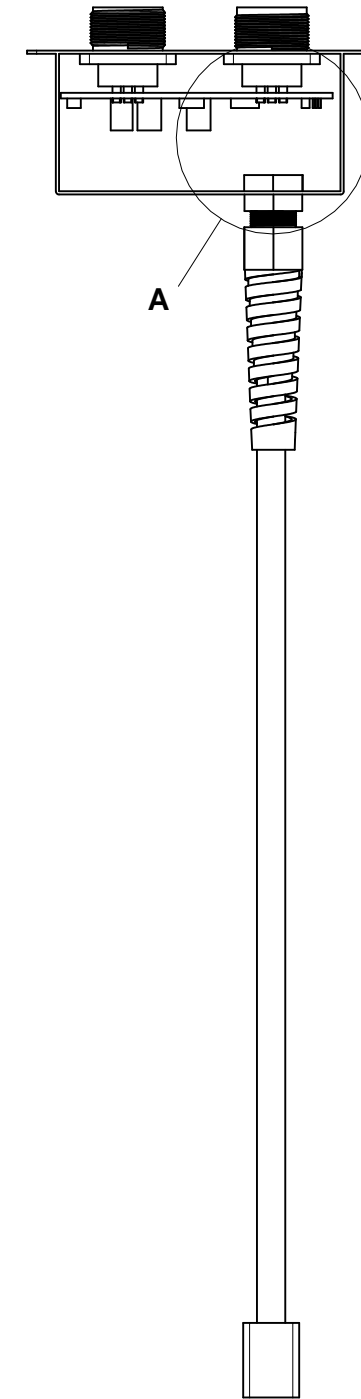
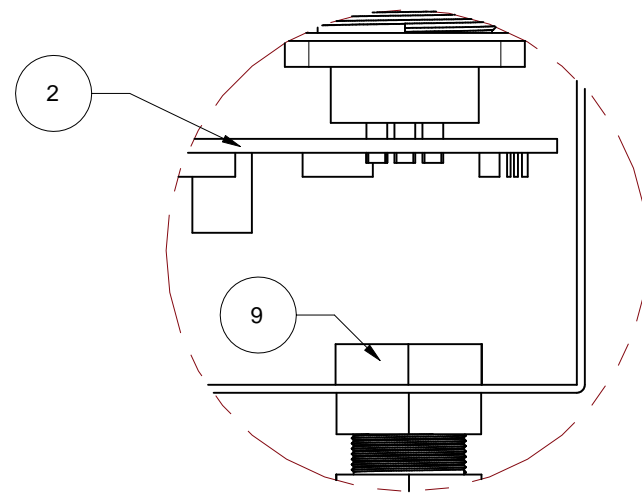


Item #	Qty	Part Number	Description	REV.
1	.419	02-03-00340	Cable, straight, 7x0,25mm <sup>2</sup> , Grey Cable	
2	1	03-01-02760	Circuit boards (feeder controller) EU-V1.4, with Connectors	1.00
3	1	01-17-50360	Feeder Housing, for integrated controller	3.10
4	1	01-03-00214	PG7 Strain Relief	
5	1	02-15-50139	Deutsch Connector, 4 Socket Plug, POS A, DT06-4S	
6	1	02-15-50140	Deutsch Connector, Wedge Lock W4S	
7	3	02-15-50120	Deutsch Connector, 16,18,20 AWG Socket Contact,Nickel	
8	1	02-15-50126	Deutsch Connector, Blank Insert Pin, 14,16,18,114017	
9	1		PG7 Retaining Nut	



THIS DRAWING CONTAINS INFORMATION PROPRIETARY TO MOBA CORPORATION: IT IS SUBMITTED IN CONFIDENCE AND IS TO BE USED SOLELY FOR THE PURPOSE FOR WHICH IS FURNISHED AND RETURNED UPON REQUEST. THIS DRAWING AND SUCH INFORMATION IS NOT TO BE REPRODUCED, TRANSMITTED DISCLOSED OR USED OTHERWISE, IN WHOLE OR IN PART, WITHOUT THE WRITTEN AUTHORIZATION OF MOBA CORPORATION

Material/ Paint:



Moba Corporation  
180 Walter Way Suite 102  
Fayetteville GA 30214

Feeder Controller Assembly, Plate with Connectors

SIZE <b>B</b>	FSCM NO.	DWG NO. <b>04-45-50011</b>	REV 1.00
SCALE 1:1.5	SHEET		

Drawn APATEL DATE 10-19-009