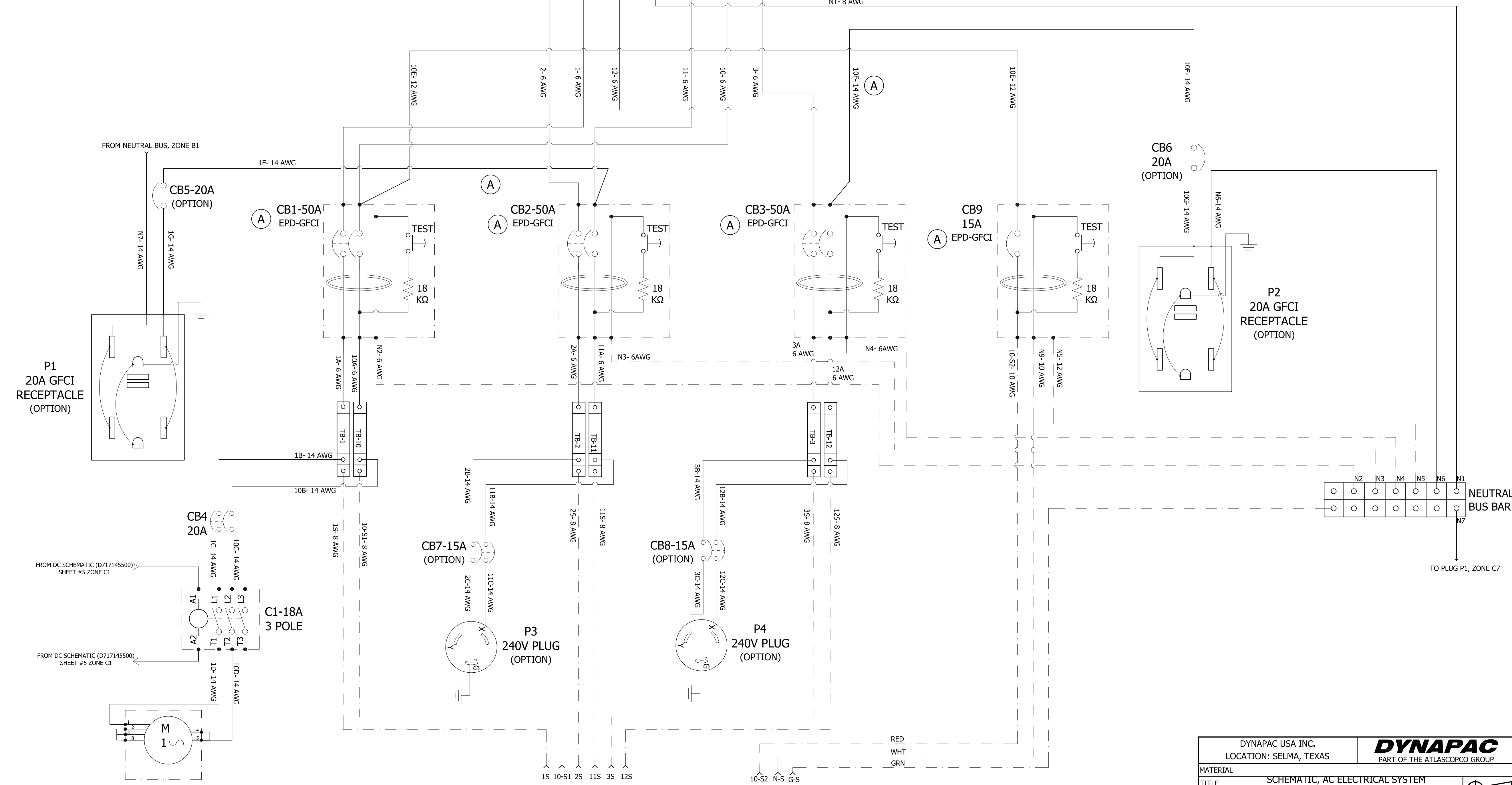
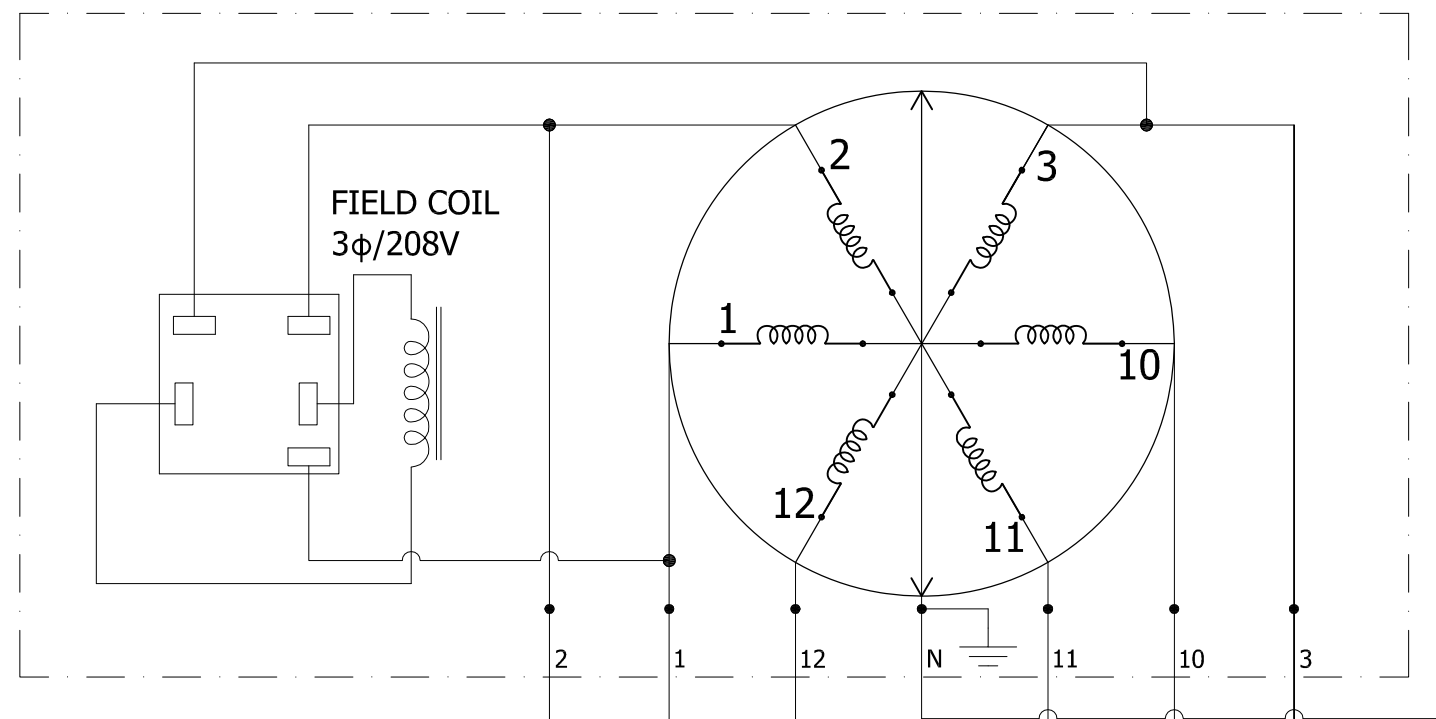


NOTES:

- WIRES N2, N3, N4, N5 ARE PART OF CIRCUIT BREAKER'S & NEED TO BE CONNECTED AS SHOWN IN THE SCHEMATIC
- WIRES 1S, 2S, 3S, 10-S1, 10-S2, 11S, 12S, N-S, G-S ARE PART OF SCREED & NEED TO BE CONNECTED AS SHOWN IN THE SCHEMATIC
- FUME EXTRACTOR MOTOR WIRING: JOIN WIRES 2,3,8 TOGETHER. JOIN WIRES 4 & 5 TOGETHER. SUPPLY L1 (240 V) TO WIRE1 & L2 (240 V) TO WIRE 4 OR 5 AS SHOWN IN ZONE A6. FRAME GROUND THE FUME EXTRACTOR MOTOR
- ALL GROUND WIRES IN THE AC 120/240 V AUXILIARY PANEL CAN BE LOOPED TOGETHER & ONE COMMON GROUND WIRE CAN BE SEND TO AC MAIN PANEL BOX.
- ALL DEVICES (GENERATOR, FUME EXTRACTOR, AC MAIN PANEL, AUXILIARY PANEL) MUST BE CHASSIS GROUNDDED USING MINIMUM OF 14 GA WIRE



DYNAPAC USA INC. LOCATION: SELMA, TEXAS		DYNAPAC PART OF THE ATLAS-COPCO GROUP	
MATERIAL			
TITLE			
SCHEMATIC, AC ELECTRICAL SYSTEM		10' TRACK PAVER	
WELDING	AWS D1.1	DRAWN	ECC-JK
FLAME CUTTING		CHECKED	ECC-PVK
SURFACE TEXTURE	0432 STD 1	APPROVED	RG
GEN. TOLERANCE		DATE	03/25/09
STANDARDS		SCALE	NTS
		WEIGHT	
		SH	1 (1)