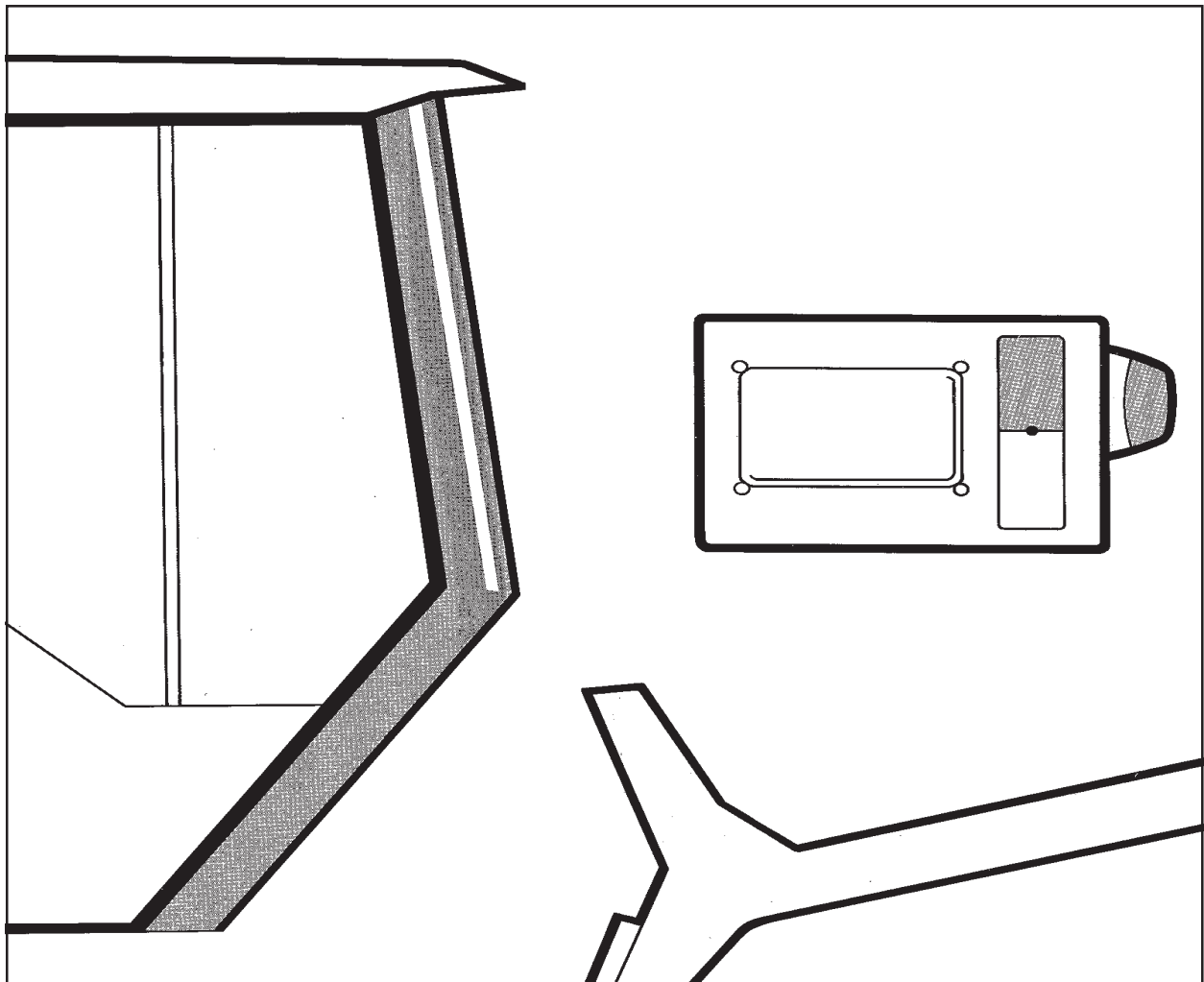


DYNAPAC
CC 82/92
CC 102/122/132/142//C
ACCESSORY
RETRACTABLE PROTECTIVE STRUCTURE

E2010EN3



DYNAPAC
Metso Dynapac AB

Box 504, SE-371 23 Karlskrona, Sweden
Phone: +46 455 30 60 00, Fax: +46 455 30 60 30
www.dynapac.com

DYNAPAC

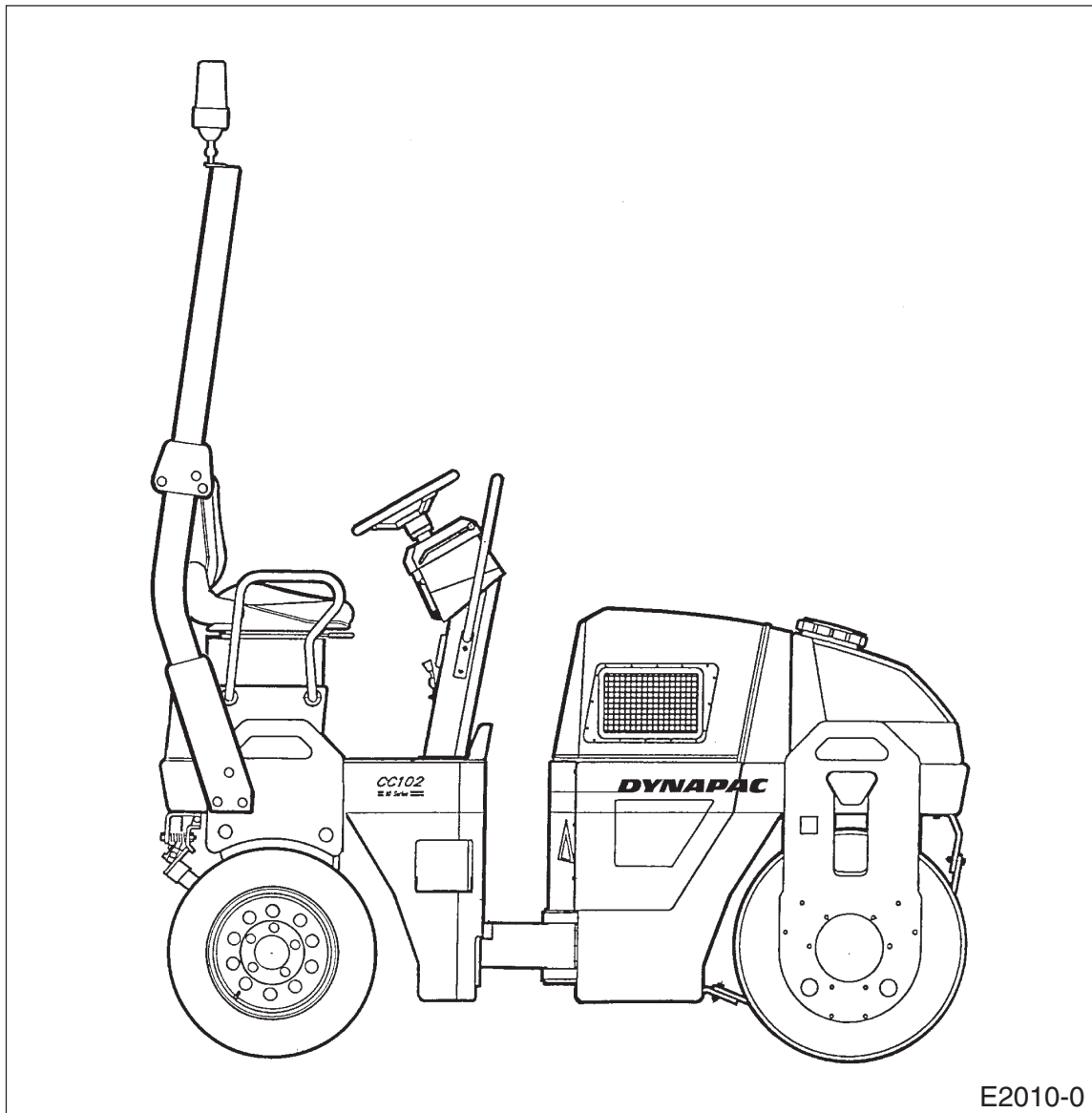
Accessory info

CC 82/92

CC 102/102C, CC 122/122C, CC 132, CC 142/142C

Retactable protective structure(ROPS)

E2010EN3, May 2002



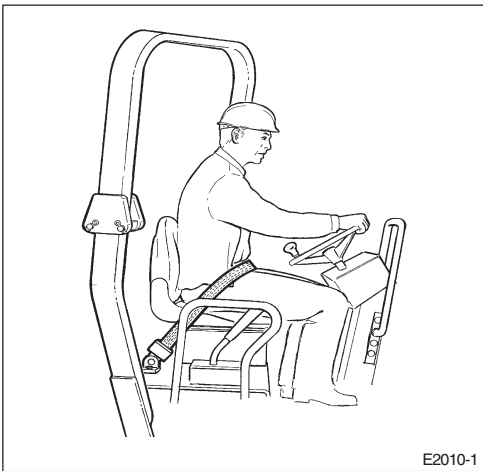


Fig. 1 Roller with protective structure in raised and locked position



If the roller is equipped with a retractable protective structure (ROPS), then the machine may only be operated with the structure raised and locked in position.

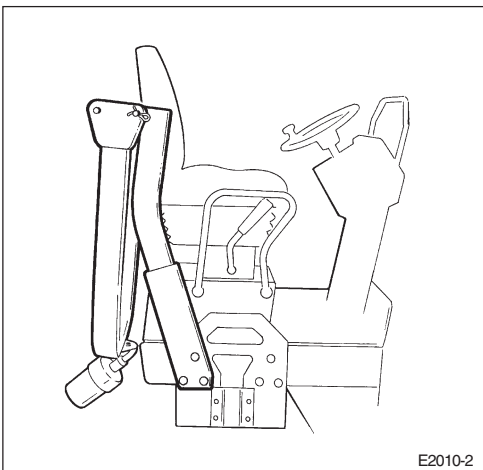


Fig. 2 Roller with protective structure retracted

The protective structure should only be in its retracted position in connection with transportation by lorry, train, ship, etc. The protective structure can be retracted either forward or backward. When retracting it forward, protect the steering wheel and the cover of the instrument panel from damage by chafing. The structure should preferably be retracted backwards (see figure 2) to give the machine and the structure the best protection against damage.



Risk of being crushed when raising and lowering the exhaust pipe.

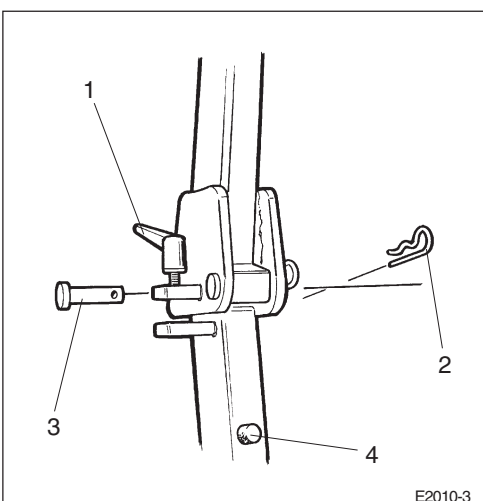


Fig. 3 Locking the protective structure
 1. Securing screw
 2. Cotter pin
 3. Bolt
 4. Rubber buffer

To retract the protective structure, unscrew the securing screw (1), pull out the cotter pin (2) and pull out the bolt (3). Do this on both sides of the structure. If there is sufficient space the structure should preferably be retracted to the rear.



Restore the cotter pins and the bolts into position after retracting the structure.

Proceed in the reverse order to the above when raising the structure.



Always ensure that the structure is locked in its raised position before driving the roller.

Lubricate the securing screw (1) and the bolt (3) occasionally with waterproof grease.