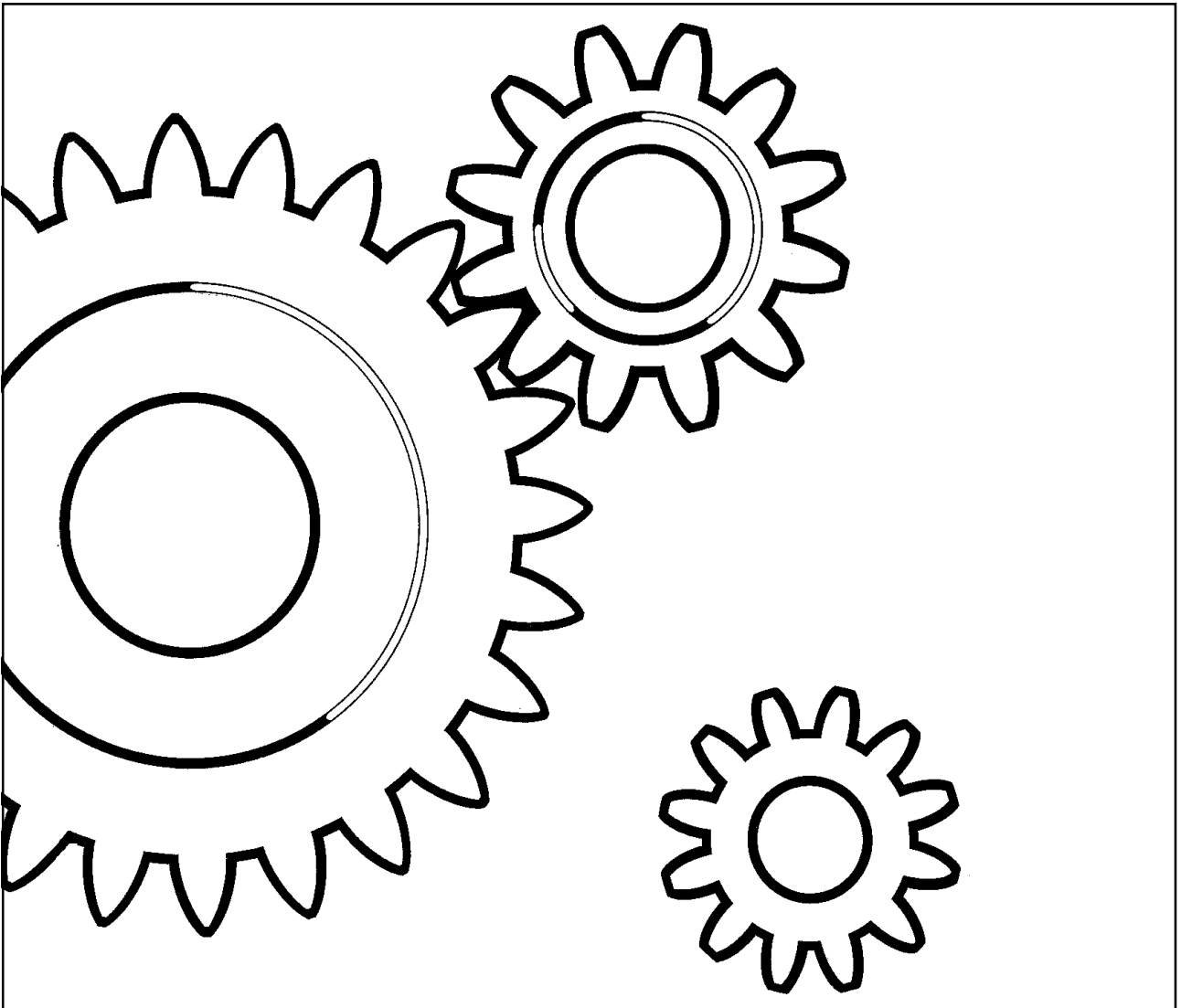


**DYNAPAC
CC900G
SPARE PARTS
CATALOGUE
SCC900G-CN1EN2**



DYNAPAC

Part of the Atlas Copco Group

Box 504, SE-371 23 Karlskrona, Sweden

Phone: +46 455 30 60 00, Fax: +46 455 30 60 10

www.dynapac.com

Vibratory Roller CC900G

Spare Parts Catalogue SCC900G-CN1EN2

Valid from roller serial number:

**8824CN3001* -*

Gasoline engines:

Honda GX620 U1

Published catalogue issues valid for these rollers:

<i>Catalogue</i>	<i>Issue date</i>	<i>Valid for serial numbers</i>
SCC900G-CN1EN1	2009-01	Replaced by SCC900G-CN1EN2
SCC900G-CN1EN2	2009-04	See above



RESERVDLSBESTÄLLNING

Följande uppgifter ska lämnas vid beställning av reservdelar för att undvika leveransfel:

1. Maskintyp.
2. Vältens serienummer.
3. Antal av önskad reservdel.
4. Reserdelens artikelnummer.
5. Reservdelens benämning.
6. Måttuppgifter vid beställning av metervara.

ORDERING SPARE PARTS

To avoid errors in delivery, please give the following information when ordering spare parts:

1. Type of machine.
2. Roller serial number.
3. Quantity required.
4. Part number.
5. Parts denomination.
6. Dimensions when ordering per length.

ERSATZTEILBESTELLUNG

Zur Vermeidung von Fehllieferungen sind bei der Bestellung von Ersatzteilen folgende Angaben zu machen:

1. Maschinentyp.
2. Herstellungsnummer.
3. Bestellmenge. (Quantity)
4. Ersatzteilnummer. (Part N°)
5. Ersatzteilbenennung. (Denomination)
6. Massangaben bei Bestellung von Meterware.

ORDINI DI RICAMBI

Per evitare errori nelle consegne di ricambi, Vi preghiamo di comunicarci le seguenti informazioni al momento dell'ordinazione:

1. Tipo di macchina.
2. Numero di serie della macchina.
3. Quantità dei pezzi desiderati. (Quantity)
4. Numero di codice del pezzo. (Part N°)
5. Descrizione del pezzo di ricambio. (Denomination)
6. Misura, in caso di ordine per metro.

PEDIDO DE RECAMBIOS

Para evitar errores en las entregas, deberán indicarse los siguientes datos al hacer un pedido de recambios:

1. Tipo de máquina.
2. Número de serie.
3. Cantidad de piezas deseadas. (Quantity)
4. Número de artículo de la pieza de recambio. (Part N°)
5. Denominación de la pieza. (Denomination)
6. Indíquese la medida al solicitar un artículo que se expide por metros.

COMMANDE DE PIÉCES DE RECHANGE

Les indications suivantes doivent être fournies lors de la commande de pièces de rechange, afin d'éviter toute erreur de livraison:

1. Type de machine.
2. Numéro de série.
3. Quantité désirée de pièce de rechange. (Quantity)
4. Numéro de la pièce de rechange. (Part N°)
5. Dénomination de la pièce de rechange. (Denomination)
6. Longueur en cas de commande au mètre.

YOUR AGENT/DEALER:

Text pages

The text pages is structured as the picture on the right.

1. This is the remarks for specific items and the descriptions of the remarks is at the bottom of the parts list.
2. Parts indicated by a dot and moved to the right are included when buying the assembled unit above.
3. Spare parts and service code for a specific part, mainly for internal use at Dynapac. "A" = Service part, "B" = Fast moving part, "C" = Suggested exchanged part and "D" = Regular spare part.

Cooling system				Max. Dynapac AB	
Ref. No.	Part No.	Warr.	Qty	Description	Code
1	223257		1	Water cooler	③
2	223252		1	Pressure cap	3
3	223252	①	2	Cap	3
4	171221	A		Service code	7
5	171221			Cap	
6	223254	C	10	Service code	
7	171221	F		Service code	J
8	223254			Service code	J
9	223254			Service code	
10	223254			Service code	
11	223254			Service code	
12	223258			Service code	
13	900-20			Service code	
14	900-21			Service code	
15	900-22			Service code	
16	900-23			Service code	
17	900-24			Service code	
18	900-25			Service code	
19	900-26			Service code	
20	900-27			Service code	

①
A. Service
B. Fast moving
C. Suggested exchanged
D. Regular spare
E. Left
F. Right

Changes

PARTS INFO	SERVICE INFO	GROUP	PAGE	NOTES

Notes

PÄRMETIKETT

För att undvika fel vid reservdelsbeställning finns här nedan två etiketter som passar i fickorna på pärmarnas ryggar. På dessa kan man se från vilket vältnummer av aktuell maskin reservdelskatalogen gäller. Gör så här:

1. Tag denna sida ur pärmen.
2. Klipp ut etiketten till **VÄNSTER** (1) och sätt in den i fickan på **DENNA** pärmens rygg.
3. Finns det en etikett till **HÖGER** (2), kan denna användas på pärmen för **FÖREGÅENDE** utgåva av denna katalog.
4. Kasta detta papper.

KATALOG-BESCHRIFTUNG

Zur Vermeidung von Fehlern bei der Ersatzteilbestellung benutzen Sie bitte die unteren Beschriftungen, um die Kataloge auf der Rückseite zu kennzeichnen. Auf der Beschriftung ist angegeben, für welche Maschinennummern der jeweilige Katalog gültig ist. Ablauf:

1. Nehmen Sie dieses Blatt aus dem Katalog.
2. Schneiden Sie die **LINKE** Beschriftung (1) aus. Schieben Sie die Beschriftung in die tasche auf **DEM** Katalogrücke.
3. Sollte die Beschriftung unten **RECHTS** (2) mitgeliefert werden, kennzeichnen Sie damit bitte die **ÄLTERE** Ausführung dieses Kataloges.
4. Den Rest dieses Blattes bitte vernichten.

ETIQUETA PARA LA CARPETA

Para evitar errores al pedir repuestos utilicen las etiquetas abajo descritas para identificar los catálogos en la parte trasera de la carpeta. En la etiqueta se ven los números de referencia de la serie para la cual es válido el catálogo. Instrucciones:

1. Quitar esta página de la carpeta.
2. Corta la etiqueta **IZQUIERDA** (1) y ponerla en **ESTA** carpeta en la parte trasera.
3. Si hay una etiqueta en la parte **DERECHA** (2) se puede utilizar en la carpeta para el catálogo que **PRECEDE** a esta.
4. Tirar esta hoja.

BINDER LABEL

To avoid errors when ordering spare parts use the labels below to identify the catalogues on the back of the binder. The label contain the serial number range for which the catalogue is valid. Do like this:

1. Remove this page from the binder.
2. Cut out the **LEFT** label (1) and put it on **THIS** binders back.
3. If there is a label to the **RIGHT** (2), it can be used on the binder for **PRECEDING** issue of this catalogue.
4. Throw away this paper.

ETICHETTA POSTA SUL RACCOGLITORE

Per evitare errori quando ordinate pezzi di ricambio, usate le etichette in calce che servono ad identificare i cataloghi sul retro del raccoglitore. L'etichetta indica il numero di matricola delle macchine prese in considerazione nel catalogo.

1. Rimuovete questa pagina dal raccoglitore.
2. Ritagliate l'etichetta posta a **SINISTRA** (1) e ponetela sul retro **DEL** raccoglitore.
3. Se trovate anche un'etichetta sulla **DESTRA** (2), ritagliatela e ponetela sul raccoglitore relativo alla **PRECEDENTE** edizione del catalogo.
4. Distruggete questo foglio.

ETIQUETAGE DU CATALOGUE

Afin d'éviter des erreurs lors de commandes de pièces de rechange, nous vous conseillons d'apposer les marquages ci-dessous à l'arrière du classeur, pour identifier les catalogues. Ce marquage indique les numéros de série pour lesquels le catalogue est adapté. Il convient de procéder de la façon suivante:

1. Retirez cette page du classeur.
2. Découpez l'étiquette de **GAUCHE** (1), et apposez-la à l'arrière de **CE** catalogue.
3. Si il y a une étiquette à **DROITE** (2), vous pourrez l'apposer sur le classeur de l'édition **PRECEDENTE** du catalogue.
4. Détruire cette feuille.

1 .



TABLE OF CONTENTS

Page

CC900G SN 8824CN3001 -	2
Service kits	4
4700940463 Service kit 50h, HondaGX 620K1	6
4700940464 Service kit, 300h HondaGX 620K1	8
4700940465 Service kit 900h, HondaGX 620K1	10
Repair kit	12
4700945551 Shock absorber kit, drum	14
4700940671 Scraper kit CC900/900G/900S	16
4700945928 Repair kit, Steering hitch	18
4700945710 Eccentric shaft kit	20
4700945711 Drum rotation kit	22
Frame	24
Frames	26
4700387057 Hitch	28
Scrapers	30
Engine hood	32
Sprinkler system	34
Drum	36
Drum	38
Drum static	40
Engine	42
Engine Honda GX620K1/GX620U1	44
Fuel system	46
Hydraulic system	48
Hydraulic propulsion and brake system motor	50
4700387270 Hydraulic motor	52
Hydraulic propulsion and brake system pump	54
Hydraulic vibration	56
Hydraulic steering	58
4700387274 Steering valve	60
4700387275 Hydraulic cylinder	62
Hydraulic cooling Option	64
Electrical equipment	66
Electrical equipment	68
Back-up alarm Option	70
Drivers platform	72
Drivers platform	74
F/R- , throttle- and choke control	76
Forward and reverse control handle CC900G	78
Forward and reverse control handle CC900G	78
Rops Option	80
Decals and documentation	82
Decals and documentation CC900G	84
Standard equipment	86
Standard equipment	88

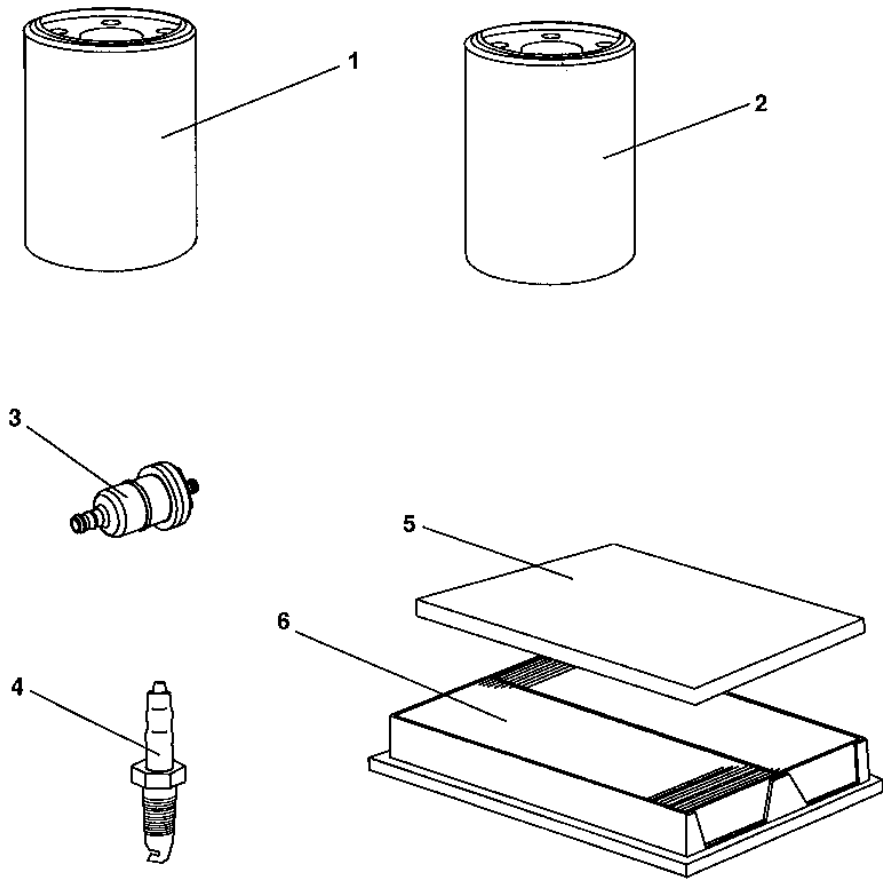


CC900G SN 8824CN3001 -

Item	Part No	Rem Qty	Description	Code
-1		1	Service kits (Page 4)	
-2		1	Repair kit (Page 12)	
10			Frame (Page 24)	
20			Drum (Page 36)	
30			Engine (Page 42)	
50			Hydraulic system (Page 48)	
60			Electrical equipment (Page 66)	
70			Drivers platform (Page 72)	
80			Decals and documentation (Page 82)	
90			Standard equipment (Page 86)	

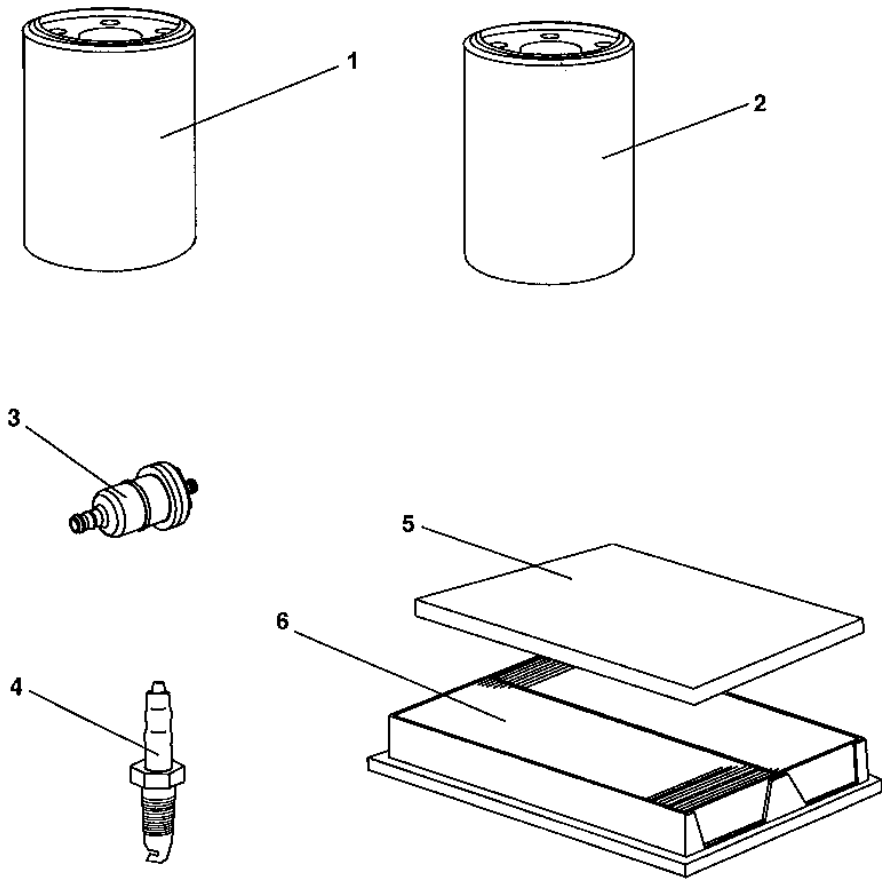
Service kits

Item	Part No	Rem Qty	Description	Code
1	4700940463	1	Service kit 50h, HondaGX 620K1 (Page 6)	
2	4700940464	1	Service kit, 300h HondaGX 620K1 (Page 8)	
3	4700940465	1	Service kit 900h, HondaGX 620K1 (Page 10)	



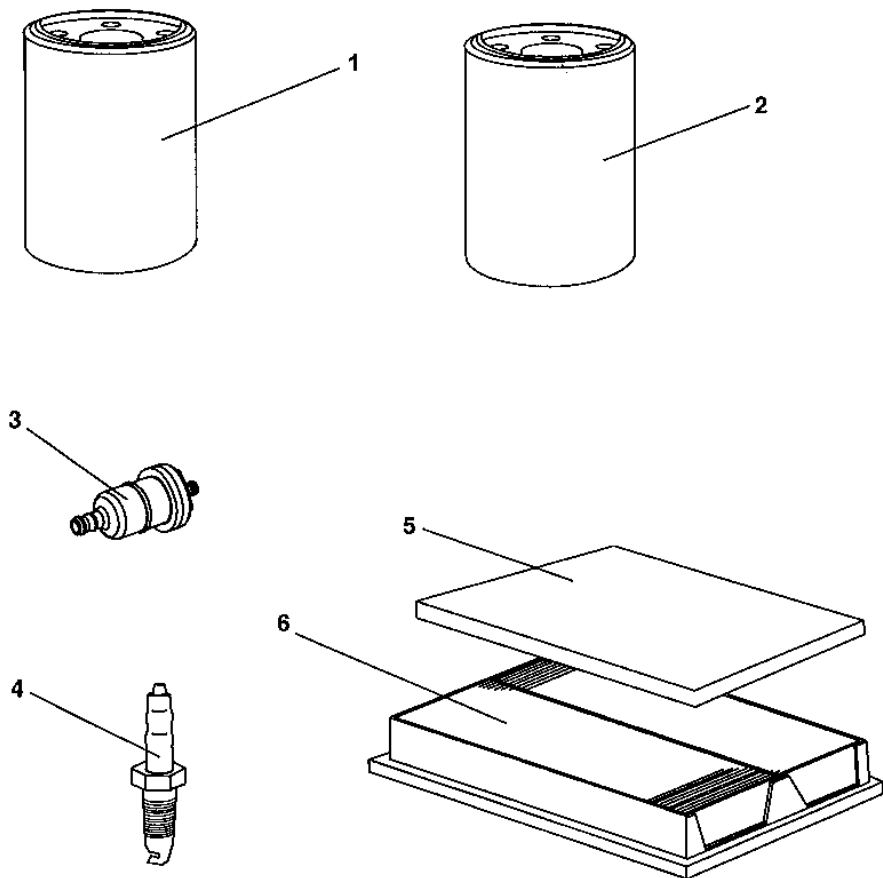
4700940463 Service kit 50h, HondaGX 620K1

Item	Part No	Rem Qty	Description	Code
	4700940463		Service kit 50h, HondaGX 620K1 (Page 6)	
1	4700376637	1	Filter element	A



4700940464 Service kit, 300h HondaGX 620K1

Item	Part No	Rem Qty	Description	Code
	4700940464		Service kit, 300h HondaGX 620K1 (Page 8)	
2	4700945136	1	Oil filter, engine	
3	4700940444	1	Fuel filter	
4	4700940462	2	Spark plug	
5	4700940381	1	Air cleaner element	
6	4700940380	1	Air cleaner element	



4700940465 Service kit 900h, HondaGX 620K1

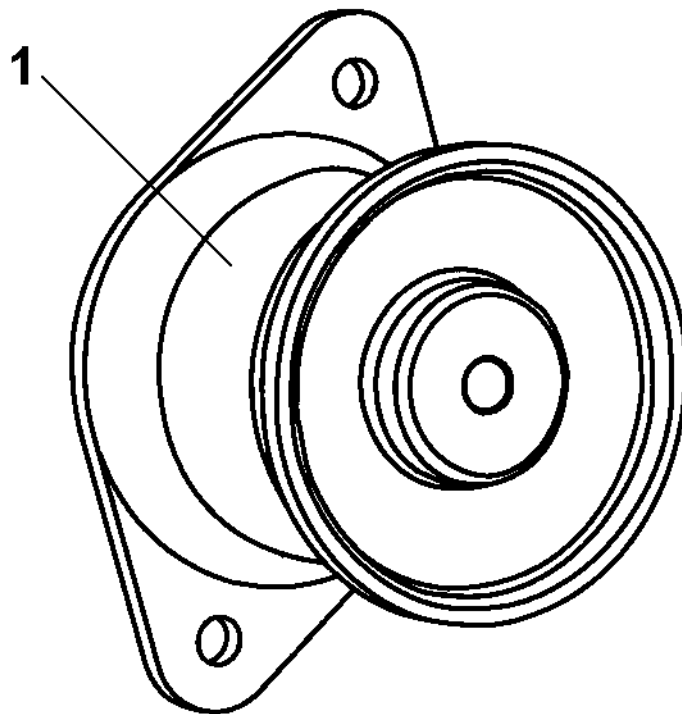
Item	Part No	Rem Qty	Description	Code
	4700940465		Service kit 900h, HondaGX 620K1 (Page 10)	
1	4700376637	1	Filter element	A
2	4700945136	1	Oil filter, engine	
3	4700940444	1	Fuel filter	
4	4700940462	2	Spark plug	
5	4700940381	1	Air cleaner element	
6	4700940380	1	Air cleaner element	

Repair kit

Item	Part No	Rem Qty	Description	Code
11	4700945551	2	Shock absorber kit, drum (Page 14)	
12	4700940671	1	Scraper kit (Page 16)	CC900/900G/900S
13	4700945928	1	Repair kit, Steering hitch (Page 18)	
14	4700945710	1	Eccentric shaft kit (Page 20)	
15	4700945711	1	Drum rotation kit (Page 22)	

4700945551 Shock absorber kit, drum

940668

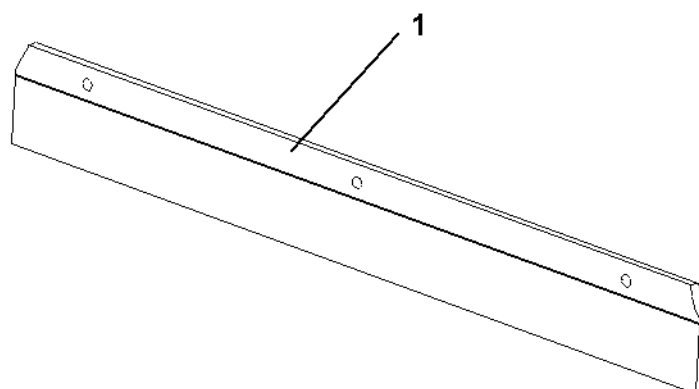


4700945551 Shock absorber kit, drum

Item	Part No	Rem Qty	Description	Code
	4700945551		Shock absorber kit, drum (Page 14)	
1	4700391985	7	Shock absorber From 88240485	

4700940671 Scraper kit CC900/900G/900S

18187

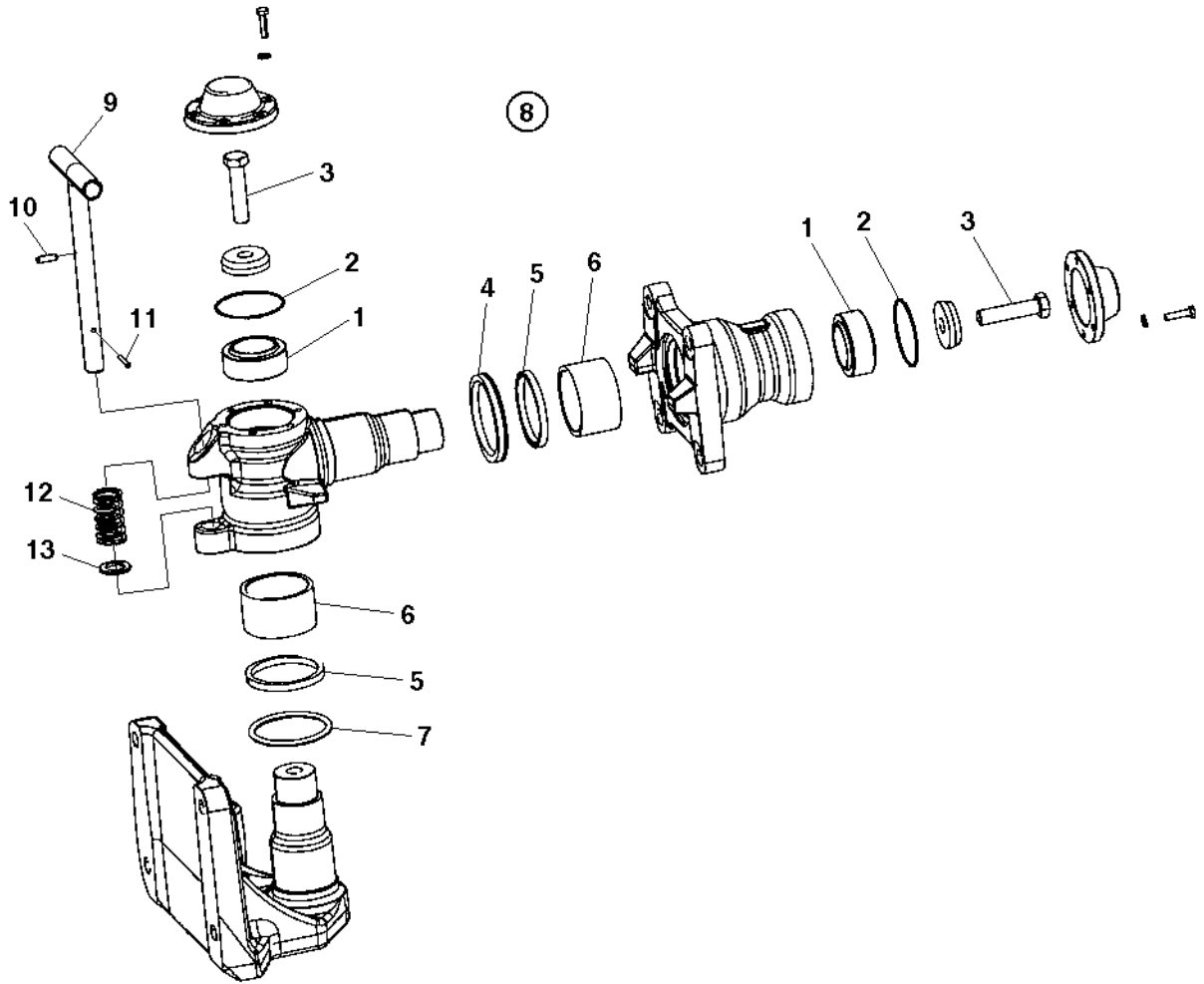


4700940671 Scraper kit CC900/900G/900S

Item	Part No	Rem Qty	Description	Code
	4700940671		Scraper kit (Page 16)	CC900/900G/900S
1	4700387346	4	Scraper blade	Polyurethan

4700945928 Repair kit, Steering hitch

18651

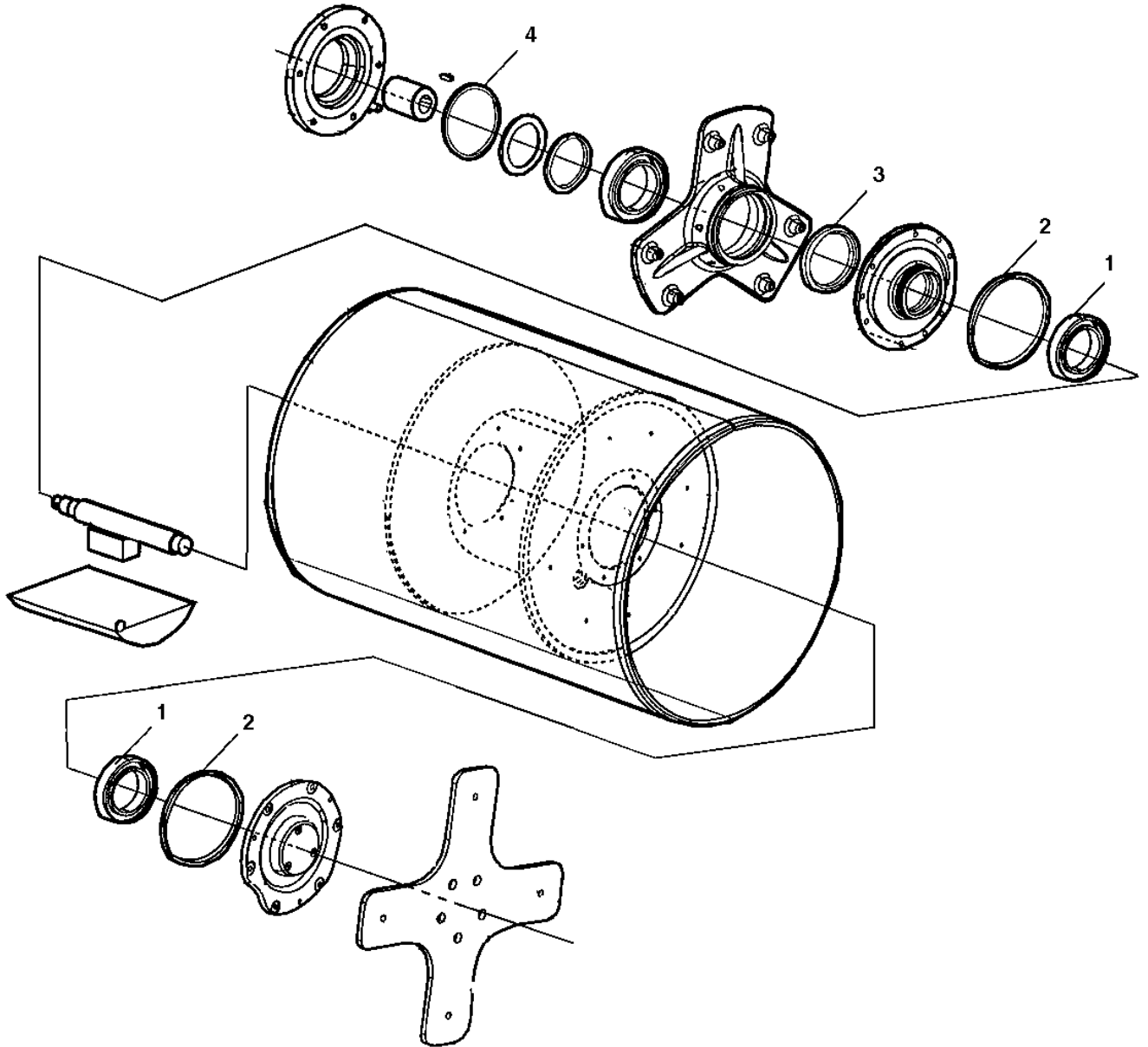


4700945928 Repair kit, Steering hitch

Item	Part No	Rem Qty	Description	Code
	4700945928		Repair kit, Steering hitch (Page 18)	
1	4700792611	2	Radial spherical plain bearing	
2	4700791962	2	O-ring	
3	4700500050	2	Screw	
4	4700388171	1	Sealing, v-ring	
5	4700388173	2	Shear wiper	
6	4700388172	2	Bushing	
7	4700160058	1	O-ring	D

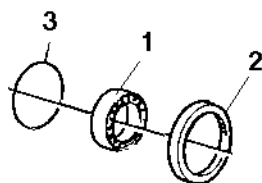
4700945710 Eccentric shaft kit

18701



4700945710 Eccentric shaft kit

Item	Part No	Rem Qty	Description	Code
	4700945710		Eccentric shaft kit (Page 20)	
1	4700791433	2	Spherical roller bearing	
2	4700791425	2	O-ring	174, 20x5, 70
3	4700791426	1	Radial lip seal	
4	4700160132	1	O-ring	124, 50x3, 00 D



4700945711 Drum rotation kit

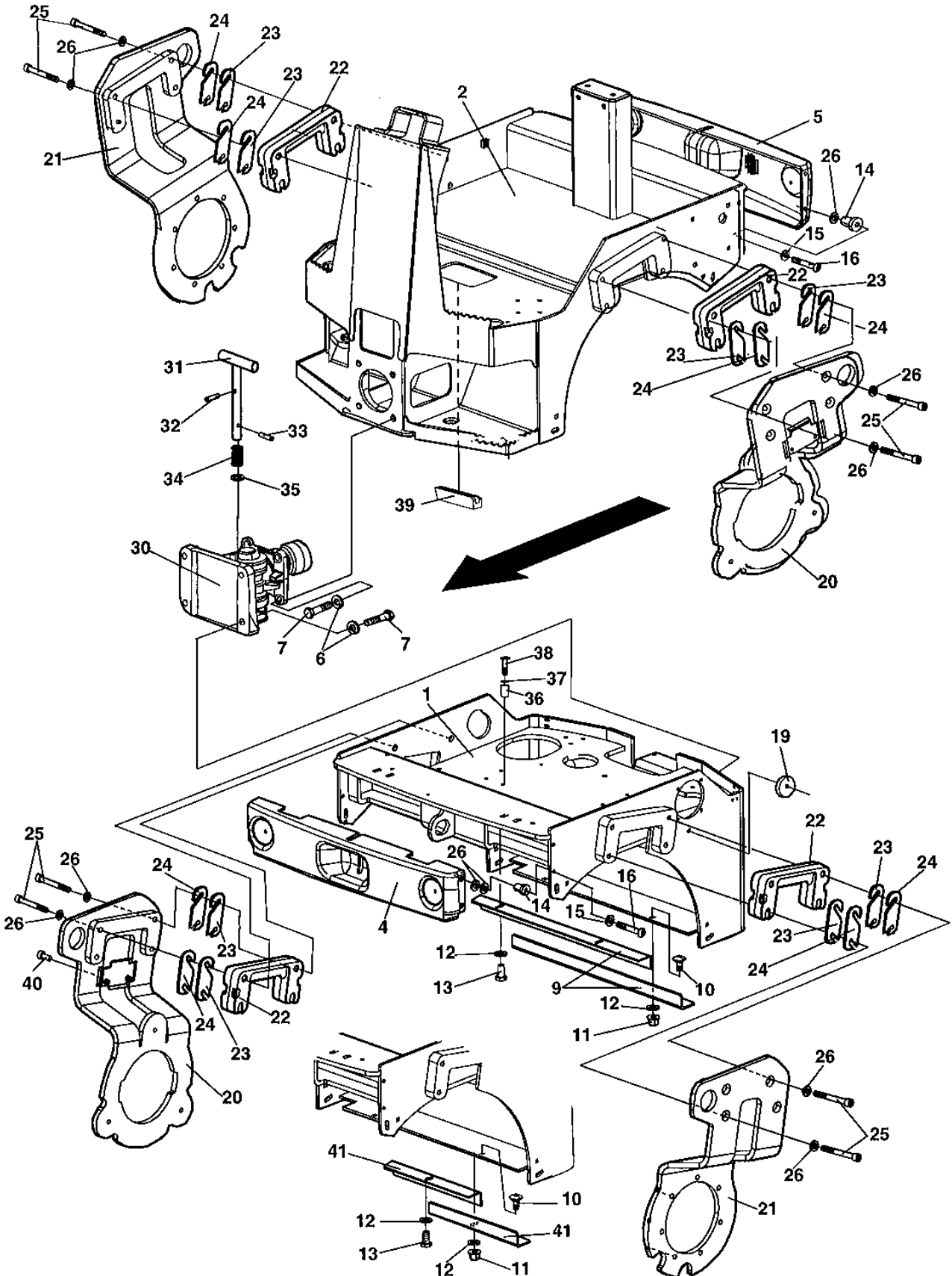
Item	Part No	Rem Qty	Description	Code
	4700945711		Drum rotation kit (Page 22)	
1	4700111018	1	Ball bearing	D
2	4700791426	1	Radial lip seal	
3	4700160132	1	O-ring	D
			124, 50x3, 00	

Frame

Item	Part No	Rem Qty	Description	Code
10			Frames (Page 26)	
20			Scrapers	
30			Scrapers (Page 30)	
40			Engine hood (Page 32)	
50			Sprinkler system (Page 34)	

Frames

18073-1

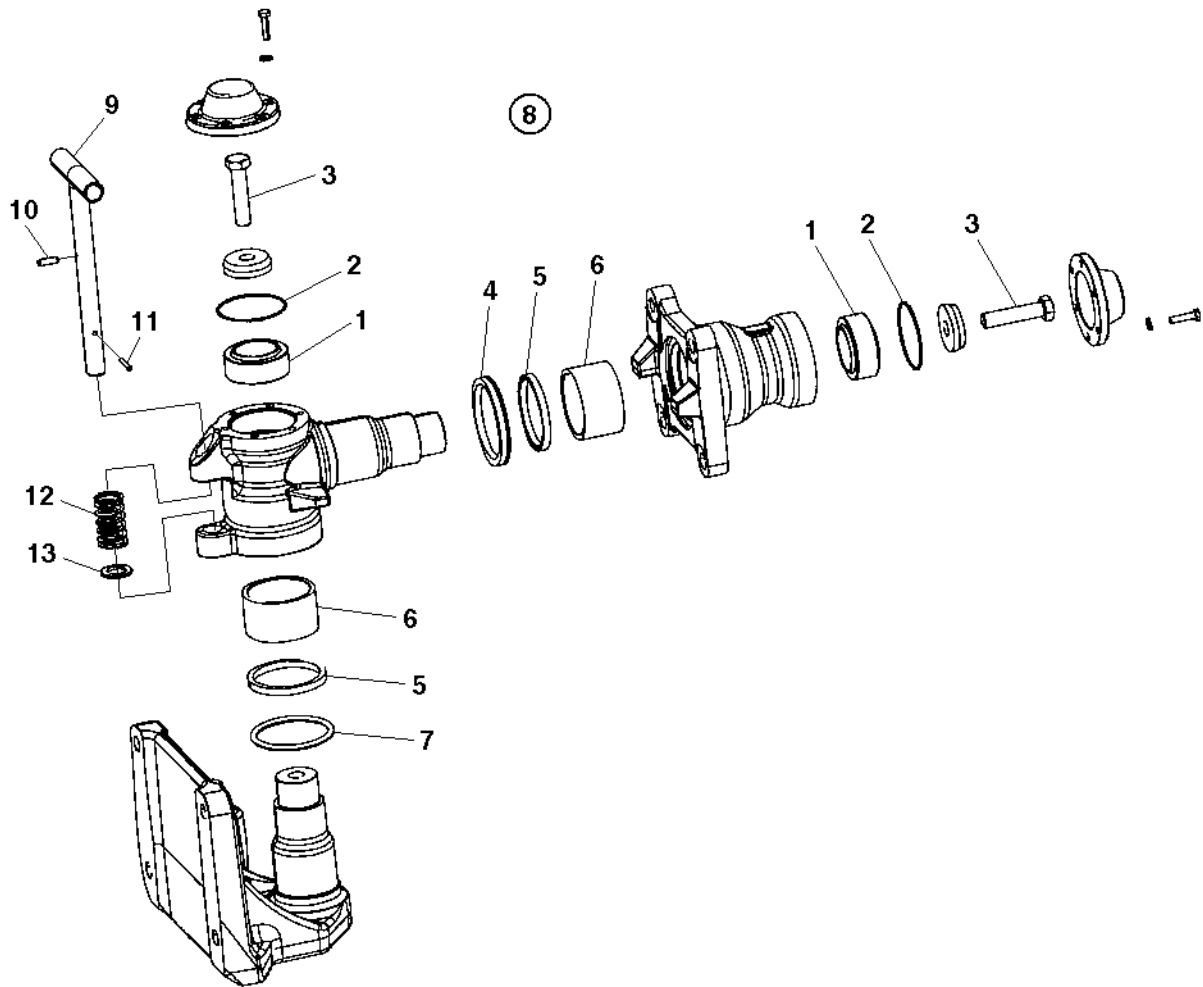


Frames

Item	Part No	Rem	Qty	Description	Code
1		C	1	Frame, front	
2			1	Frame, rear	
4	4700387376		1	Cover, frame	
5	4700387886		1	Cover, frame	
6	4700904214		8	Washer	
7	4700500176		8	Screw	M14x060
9	4700387779		2	Press plate	
10	4700929191		1	Bolt	
11	4700586003		1	Lock nut	M8
12	4700904640		2	Washer	8,4x22x3
13	4700500019		1	Screw	M8x16H 8.8 A2K
14	4700387949		8	Rubber nut	
15	4700904228		8	Washer	6,4x12x1,5
16	4700792149		8	Screw	M6x35 8.8
17	4700500035		8	Screw	M12x020H
18	4700926215		4	Protective plug	
19		B	2	Reflector	
20	4700388850		2	Fork, vibration side	
21	4700388849		2	Fork, drive side	
22	4700388153		4	Spacer	
23	4700387425		N	Shim	
24	4700387424		N	Shim	
25	4700791972		16	Screw	M12x100
26	4700904231		16	Washer	13x24x2 300 HV
30	4700387057		1	Hitch (Page 28)	
31	4700387155		1	.Clevis pin	
32	4700388177		1	.Spring pin	
33	4700388176		1	.Spring pin	
34	4700388178		1	.Compression spring	
35	4700791961		1	.Washer	
36	4700387677		1	Spacer sleeve	
37	4700904556		1	Washer	8,4x16x3,0
38	4700500067		1	Screw	M8-1,25x55 8,8
39	4700902379		1	Edge trim	
40	4700926215		2	Protective plug	
41	4700379907		2	Bracket	

B) See section " Decals and documentation"

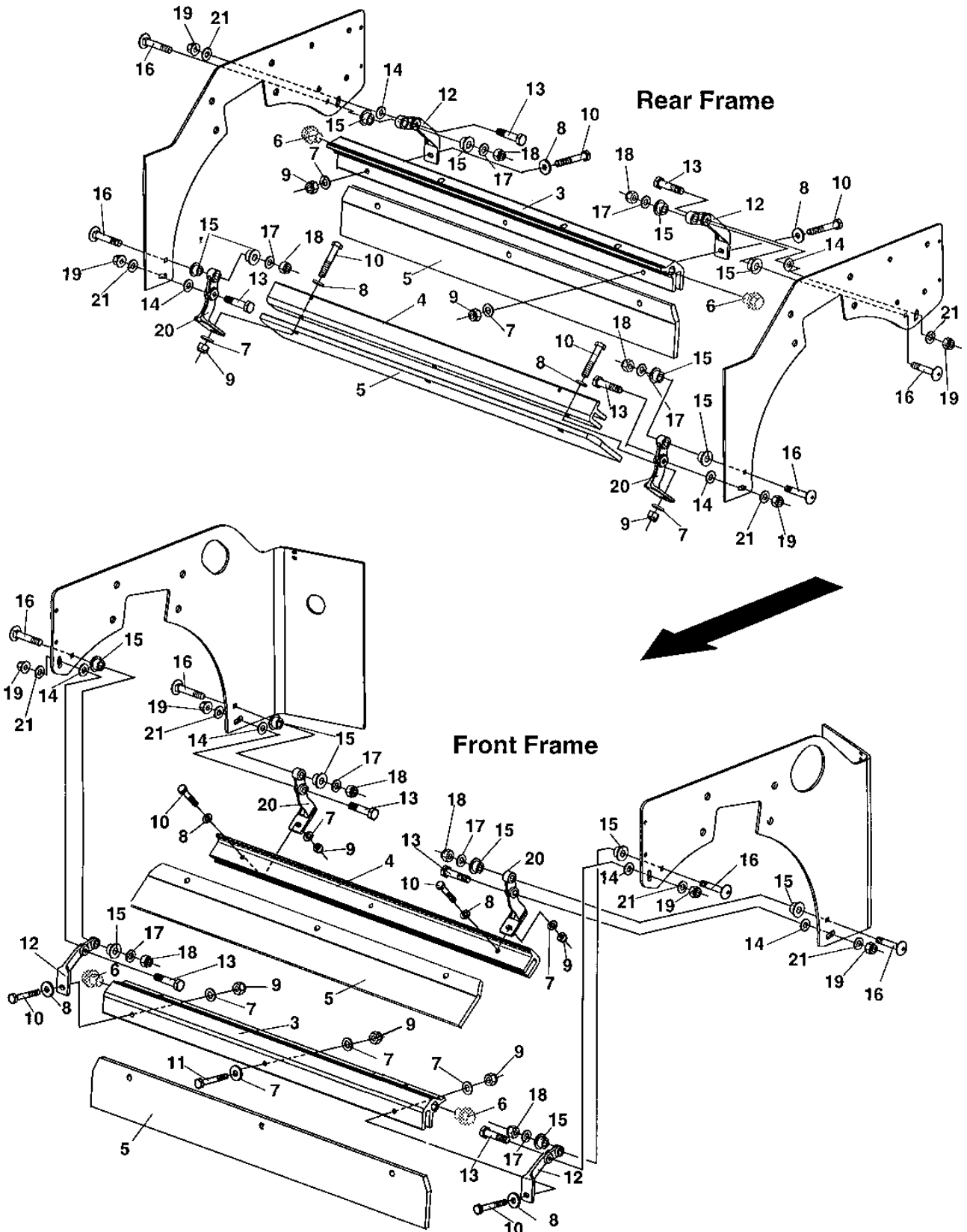
C) Specify SN on the machine



Item	Part No	Rem Qty	Description	Code
1	4700792611	2	Radial spherical plain bearing	
2	4700791962	2	O-ring	
3	4700500050	2	Screw	
4	4700388171	1	Sealing, v-ring	
5	4700388173	2	Shear wiper	
6	4700388172	2	Bushing	
7	4700160058	1	O-ring	D
8	4700945928	1	Repair kit, Steering hitch (Page 18)	
9	4700387155	1	Clevis pin	
10	4700388177	1	Spring pin	
11	4700388176	1	Spring pin	
12	4700388178	1	Compression spring	
13	4700791961	1	Washer	

Scrapers

17884



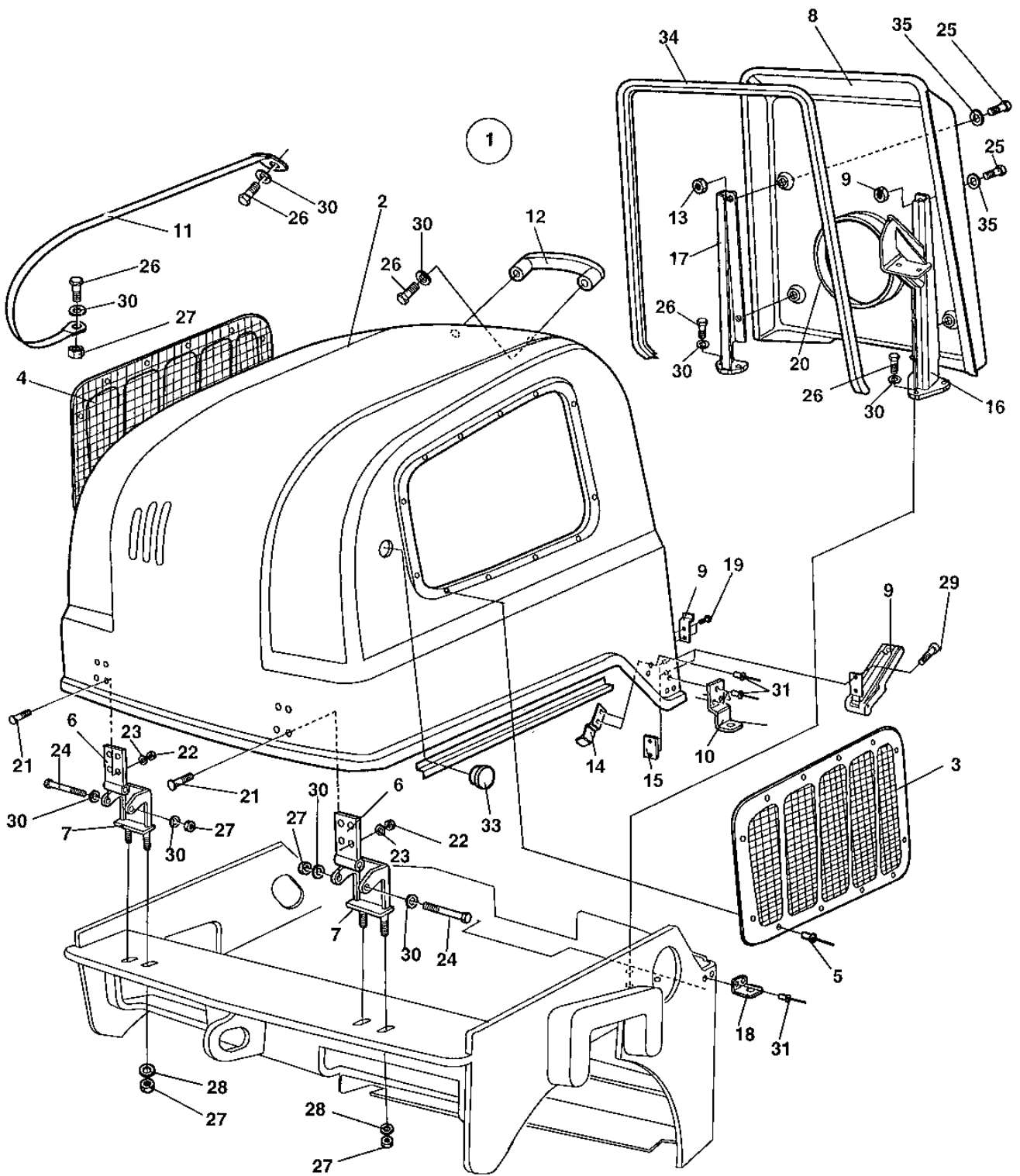
Scrapers

Item	Part No	Rem	Qty	Description	Code
3	4700377456		2	Sprinkler pipe	
4	4700387345		2	Scraper bracket	
5	4700387346		4	Scraper blade	Polyurethan
6	4700901174		4	Plug	
7	4700904229		16	Washer	8,4x16x1,5
8	4700904640		8	Washer	8,4x22x3
9	4700586003		12	Lock nut	M8
10	4700500067		8	Screw	M8-1,25x55 8,8
11	4700500024	A	4	Screw	M8x45
12	4700387039		4	Upper hold	
13	4700500105		8	Hexagon screw	
14	4700791938		8	Washer	
15	4700791939		16	Bushing	
16	4700792134		8	Bolt	
17	4700904229		8	Washer	8,4x16x1,5
18	4700586003		8	Lock nut	M8
19	4700902287		8	Nut	
20	4700387043		4	Lower hold	
21	4700791938		8	Washer	

A) Specify SN on the machine

Engine hood

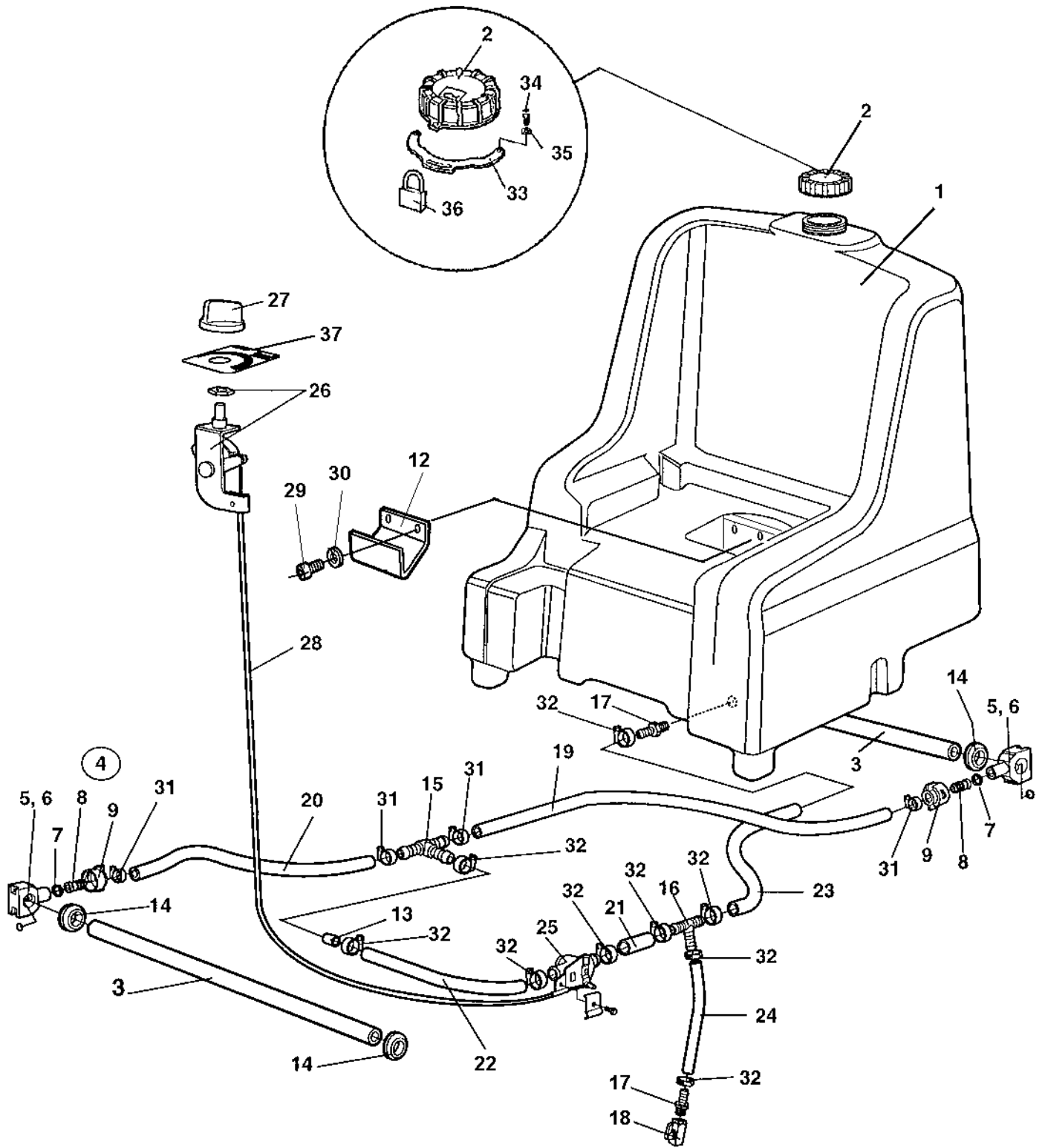
18074



Engine hood

Item	Part No	Rem Qty	Description	Code
1		1	Engine hood	
2	4700387147	1	.Engine hood	
3	4700377043	1	.Grid, left	
4	4700377044	1	.Grid, right	
5	4700792132	24	.Blind rivet	
6	4700387148	2	Hinge	
7	4700387151	2	Hinge	
8	4700388456	1	Cover	
9	4700388846	2	Latch	
10	4700377061	1	Lock plate	
11	4700387947	1	Metal strapping	
12	4700387948	1	Handle	
13	4700387949	4	Rubber nut	
14	4700388733	2	Controlling plate	
15	4700387956	1	Stop plate	
16	4700388454	1	Cover bracket	
17	4700388455	1	Cover bracket	
18	4700388852	1	Lock plate	
19	4700791643	4	Screw	
20	4700902166	A 1	Edge trim	
21	4700903856	8	Bolt	M06x30
22	4700586002	8	Lock nut	M6 -8
23	4700904228	8	Washer	6,4x12x1,5
24	4700500068	2	Screw	M08x65
25	4700792149	4	Screw	M6x35 8.8
26	4700500053	10	Screw	M8x20H 8.8
27	4700586003	6	Lock nut	M8
28	4700904556	4	Washer	8,4x16x3,0
29	4700508022	4	Screw	M4x16
30	4700904229	14	Washer	8,4x16x1,5
31	4700791666	9	Blind rivet	
32	4700297018	B 1	Rubber strip	
33	4700923270	2	Protective plug	
34	4700902166	1	Edge trim	
35	4700928381	4	Washer	6,4x18x1,6

- A) L = 1620 mm
- B) L = 900 mm



Sprinkler system

Item	Part No	Rem	Qty	Description	Code
1	4700389219		1	Water tank, cpl	
2	4700388087		1	.Tank cap	
3	4700377456		2	Sprinkler pipe	
4	4700903959		2	Hose connection, cpl	
5	4700923680		1	.Nozzle clamp	D
6	4700923962		1	.O-ring	D
7	4700904116		1	.Gasket	
8	4700903957		1	.Hose connection	
9	4700903958		1	.Coupling	
12	4700387935		1	Bracket	
13	4700377454	A	1	Hose	
14	4700903192		4	Grommet	
15	4700923735		1	Hose connection	
16	4700792065		1	Hose connection	
17	4700792064		2	Hose connection	
18	4700924986		1	Valve	
19	4700904878	B	1	Hose reinforced	
20	4700904878	C	1	Hose reinforced	
21	4700792073	D	1	Hose reinforced	D
22	4700792073	E	1	Hose reinforced	D
23	4700792073	F	1	Hose reinforced	D
24	4700792073	G	1	Hose reinforced	D
25	4700939693		1	Heater control valve	
26	4700377507		1	Rotary control	
27	4700377508		1	Knob	
28	4700377509		1	Cable	
29	4700500029		2	Screw	
30	4700904567		2	Washer	10,5x28x6 HB305
31	4700313001		4	Hose clamp	
32	4700313003		8	Hose clamp	D
33	4700389155	H	1	Lock bracket	
34	4700904696	H	2	Screw	
35	4700904281	H	2	Washer	5,3x10x1 300HV
36	4700358881	H	1	Pad lock	
37	4700378244		1	Decal "SPRINKLER"	

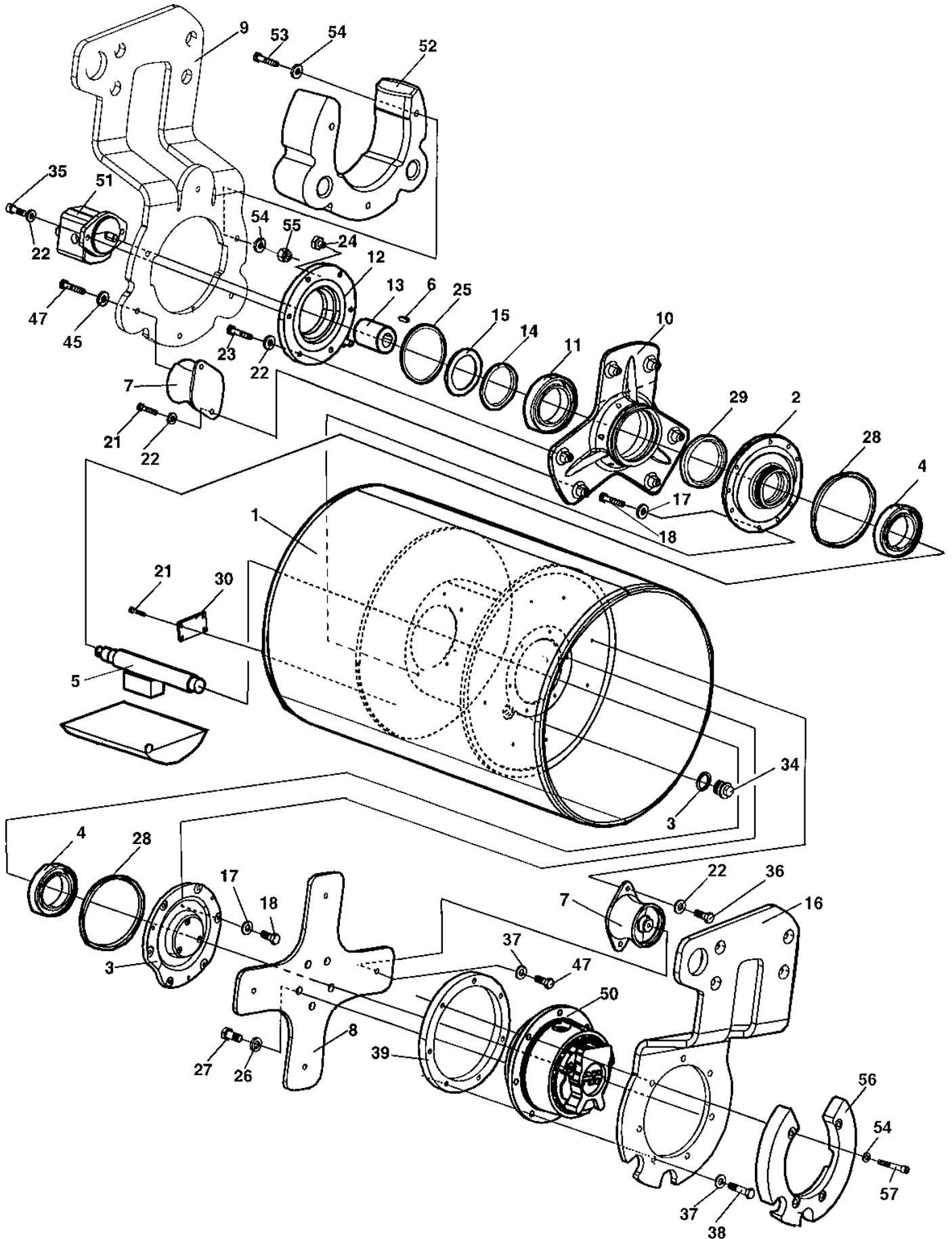
- A) L = 20 mm
- B) L = 1000 mm
- C) L = 1200 mm
- D) L = 60 mm
- E) L = 220 mm
- F) L = 370 mm
- G) L = 270 mm
- H) Option

Drum

Item	Part No	Rem Qty	Description	Code
10			Drum (Page 38)	
20			Drum static (Page 40)	

Drum

17866



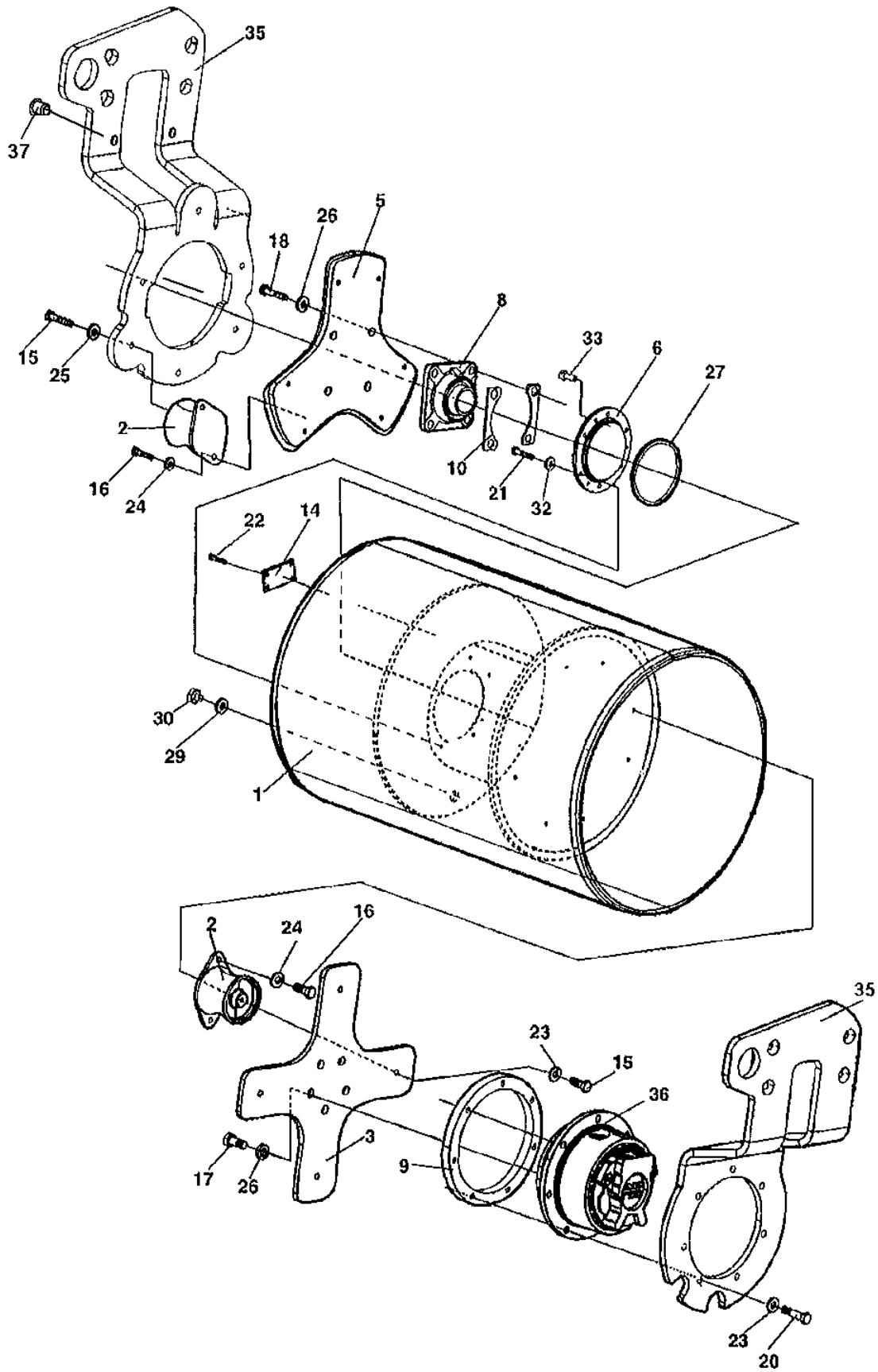
Drum

Item	Part No	Rem Qty	Description	Code
1	4700386865	1	Drum	
2	4700386619	1	Bearing housing	
3	4700386620	1	Bearing housing	
4	4700791433	2	Spherical roller bearing	
5	4700386624	1	Eccentric shaft	
6	4700350029	1	Key	
7	4700391985	7	Shock absorber	
8	4700386622	1	Drive disc	
9		A 1	Fork, vibration side	
10	4700386241	1	Bearing housing	
11	4700111018	1	Ball bearing	D
12	4700358666	1	Adapter	
13	4700349202	1	Coupling	D
14	4700358689	1	Spacer ring	
15	4700903154	1	Retaining ring	
16		A 1	Fork, drive side	
17	4700904640	12	Washer	8,4x22x3
18	4700500022	12	Screw	M8x30H 8.8 A2K
19	4700904228	3	Washer	6,4x12x1,5
20	4700500012	3	Screw	M6x12
21	4700500212	6	Screw	
22	4700904557	22	Washer	
23	4700500031	6	Screw	
24	4700343490	1	Air breather	D
25	4700160132	1	O-ring	124, 50x3, 00 D
26	4700904558	5	Washer	17X30X6 300HV
27	4700947694	5	Screw	
28	4700791425	2	O-ring	174, 20x5, 70
29	4700791426	1	Radial lip seal	
30	4700343801	1	Sign plate	
31	4700527002	4	Drive screw	
33	4700162017	1	Seal ring	D
34	4700343744	1	Magnetic plug	D
35	4700508029	2	Screw	M10-1,5x30H 8,8
36	4700500280	8	Screw	M10x1,5x25
37	4700904703	11	Washer	
38	4700925519	7	Screw	M12x55 10.9 GEOMET
39	4700387137	1	Thread ring	
45	4700904231	3	Washer	13x24x2 300 HV
47	4700947687	7	Screw	M12-1,75x30 10,9
49	4700903374	6	Protective plug	
50		B 1	Hydraulic motor	
51		C 1	Hydraulic motor	
52			Not used on this model	
53			Not used on this model	
54			Not used on this model	
55			Not used on this model	
56			Not used on this model	
57			Not used on this model	

- A) See section "Frame"
- B) See section "Hydraulic propulsion and brake"
- C) See section "Hydraulic vibration"

Drum static

18078



Drum static

Item	Part No	Rem Qty	Description	Code
1	4700388413	1	Drum	
2	4700391985	7	Shock absorber	
3	4700386622	1	Drive disc	
4	4700388850	1	Fork, vibration side	
5	4700388386	1	Support disc	
6	4700388387	1	Drum shaft	
7	4700388849	1	Fork, drive side	
8	4700388416	1	Bearing	
9	4700387137	1	Thread ring	
10	4700388259	2	Holder	
11	4700388153	2	Spacer	
12	4700387424	N	Shim	
13	4700387425	N	Shim	
14	4700343801	1	Sign plate	
15	4700947687	7	Screw	M12-1,75x30 10,9
16	4700500280	14	Screw	M10x1,5x25
17	4700947694	10	Screw	
18	4700500070	4	Screw	M16x50
19	4700791972	8	Screw	M12x100
20	4700925519	7	Screw	M12x55 10.9 GEOMET
21	4700500021	6	Screw	M8-1,25x25 8.8
22	4700527002	4	Drive screw	
23	4700904703	11	Washer	
24	4700904557	14	Washer	
25	4700904231	11	Washer	13x24x2 300 HV
26	4700904558	14	Washer	17X30X6 300HV
27	4700160041	1	O-ring	
29	4700162017	1	Seal ring	
30	4700232210	1	Plug	
32	4700904640	6	Washer	8,4x22x3
33	4700903374	3	Protective plug	
35		A 1	Fork	
36		B 1	Hydraulic motor	
37	4700926215	2	Protective plug	

A) See section "Frame"

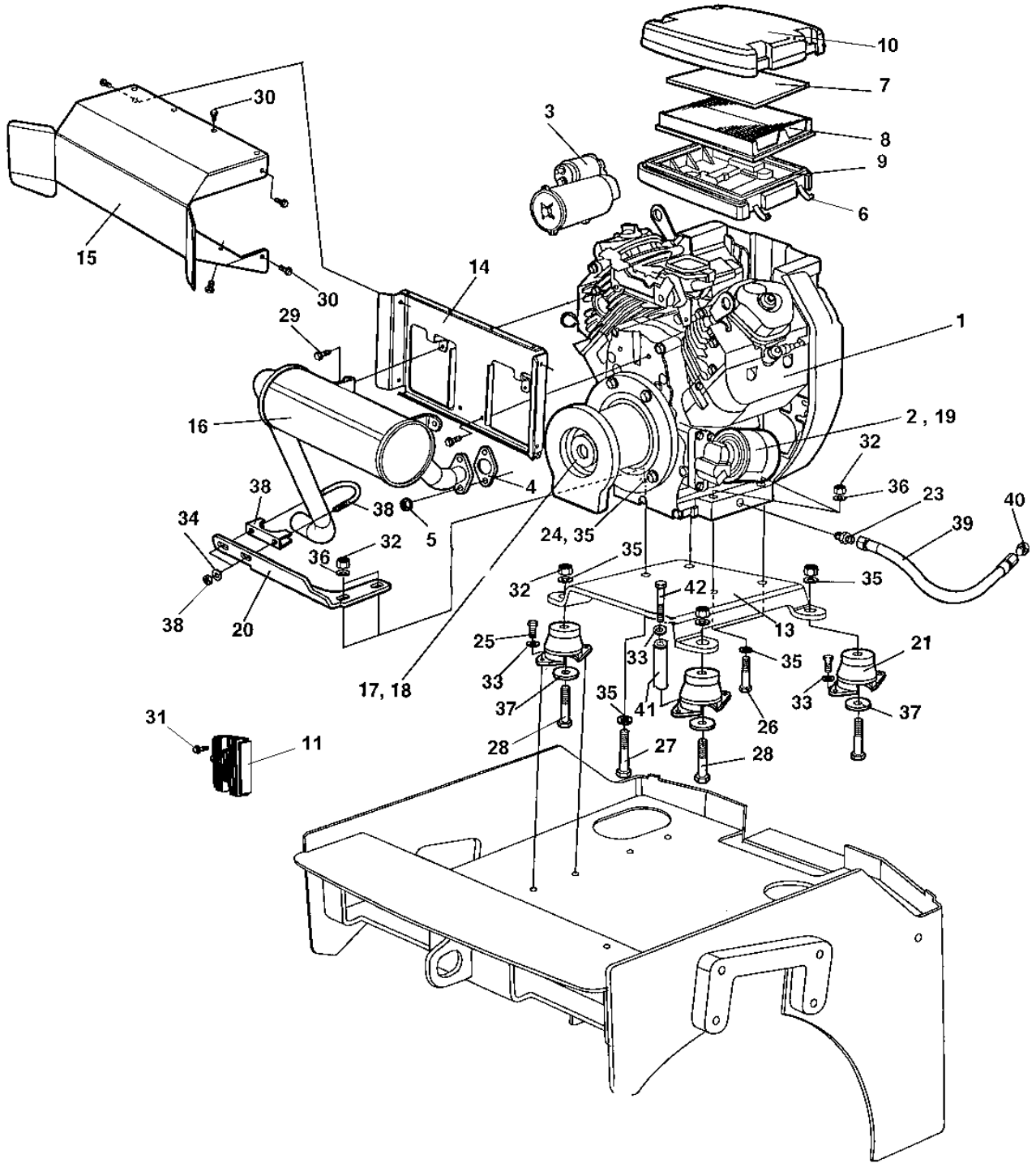
B) See section "Hydraulic propulsion and brake"

Engine

Item	Part No	Rem Qty	Description	Code
10			Engine (Page 44)	Honda GX620K1/GX620U1
20			Fuel system (Page 46)	

Engine Honda GX620K1/GX620U1

18079-1



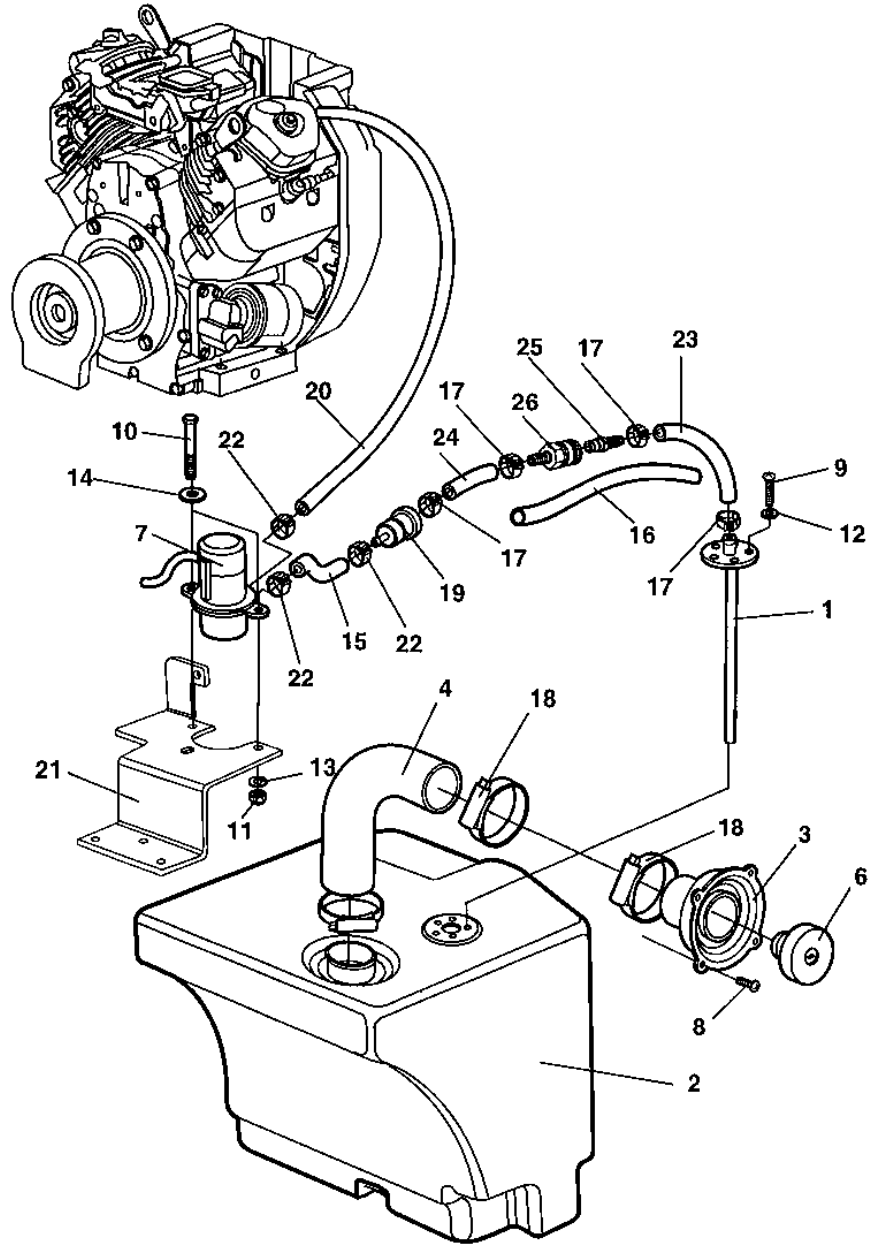
Engine Honda GX620K1/GX620U1

Item	Part No	Rem	Qty	Description	Code
1	4700388556		1	Engine	
2	4700945136		1	.Oil filter, engine	
3	4700940438		1	.Starter	
4	4700940382		2	.Gasket	
5			2	.Nut	
6	4700950103		4	.Clip	
7	4700940381		1	.Air cleaner element	
8	4700940380		1	.Air cleaner element	
9	4700950106		1	.Case	
10	4700950105		1	.Cover	
	4700950104	A	1	.Seal	
11	4700950107		1	.Regulator	20A
12	4700940462		2	.Spark plug	
13	4700388570		1	Engine plate	
14	4700389009		1	Bracket	
15	4700389010		1	Cover	
16	4700388664		1	Muffler	
17	4700377599		1	Pump adapter	
18	4700377660		1	Coupling	
19	4700377679		1	Decal "OIL FILTER"	
20	4700388591		1	Bracket	
21	4700387103		4	Shock absorber	
23	4700791536		1	Straight connector	
24	4700502036		4	Screw	3/8"-16UNCx11/4"8.8
25	4700500053		7	Screw	M8x20H 8.8
26	4700500032		2	Screw	M10 x 55
27	4700500033		2	Screw	M10-1,5x60 8,8
28	4700500109		4	Screw	M10-1,5x65 8,8
29	4700500505		4	Screw	M8x20 8.8
30	4700541703		12	Screw	M6x16
31	4700541704		2	Screw	
32	4700586018		8	Lock nut	
33	4700904556		8	Washer	8,4x16x3,0
34	4700904640		2	Washer	8,4x22x3
35	4700904230		12	Washer	
36	4700904557		4	Washer	
37	4700792079		4	Steel spacer	
38	4700927568		1	Clamp	
39	4700388688		1	Drain hose	
40	4700791493		1	Steel plug threaded	
41	4700387677		1	Spacer sleeve	
42	4700500067		1	Screw	M8-1,25x55 8,8

A) Not illustrated

Fuel system

18083-1



Fuel system

Item	Part No	Rem	Qty	Description	Code
1	4700388566		1	Suction pipe	
2	4700387279		1	Fuel tank	
3	4700387682		1	Filler neck	
4	4700387695		1	Fuel hose	
5	4700348924		1	Gasket	D
6	4700388557		1	Fuel cap	D
		H	1	.Key	D
7	4700388521	C	1	Fuel pump	
8	4700791754		4	Blind rivet	
9	4700903236		5	Screw, Thread rolling	K40x20
10	4700500088		2	Screw	M6x40
11	4700586002		2	Lock nut	M6 -8
12	4700904698		5	Washer	
13	4700615065		2	Washer	
14	4700615065		2	Washer	
15	4700791422	A	1	Hose	
16	4700904983	B	1	Fuel hose	
17	4700792147		2	Hose clamp	
18	4700313023		2	Hose clamp	
19	4700940444		1	Fuel filter	
20		C	1	Hose	
21		D	1	Battery shelf	
22	4700792146		3	Hose clamp	
23	4700904983	E	1	Fuel hose	
24	4700904983	F	1	Fuel hose	
25	4700792206		1	Hose connection	
26	4700792205		1	Hose connection	

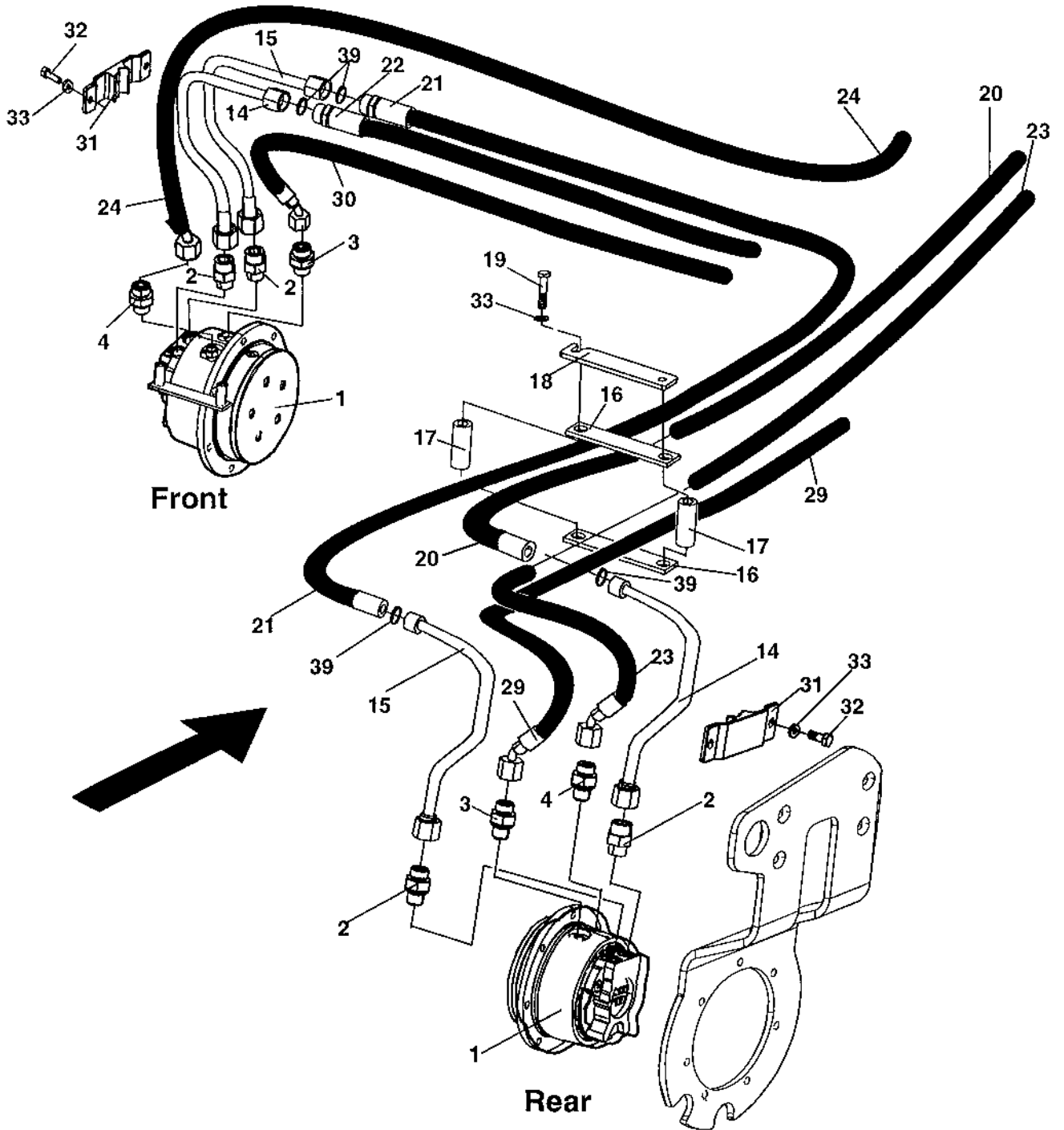
- A) L = 115 mm
- B) L = 170 mm
- C) Delivery with engine
- D) See section "Electric equipment"
- E) L = 135 mm
- F) L = 50 mm
- H) Not sold separately

Hydraulic system

Item	Part No	Rem Qty	Description	Code
10			Hydraulic propulsion and brake system (Pagemotor	
20			Hydraulic propulsion and brake system (Pagepump	
30			Hydraulic vibration (Page 56)	
31			Hydraulic steering (Page 58)	
60			Hydraulic cooling (Page 64)	Option

Hydraulic propulsion and brake system motor

18084

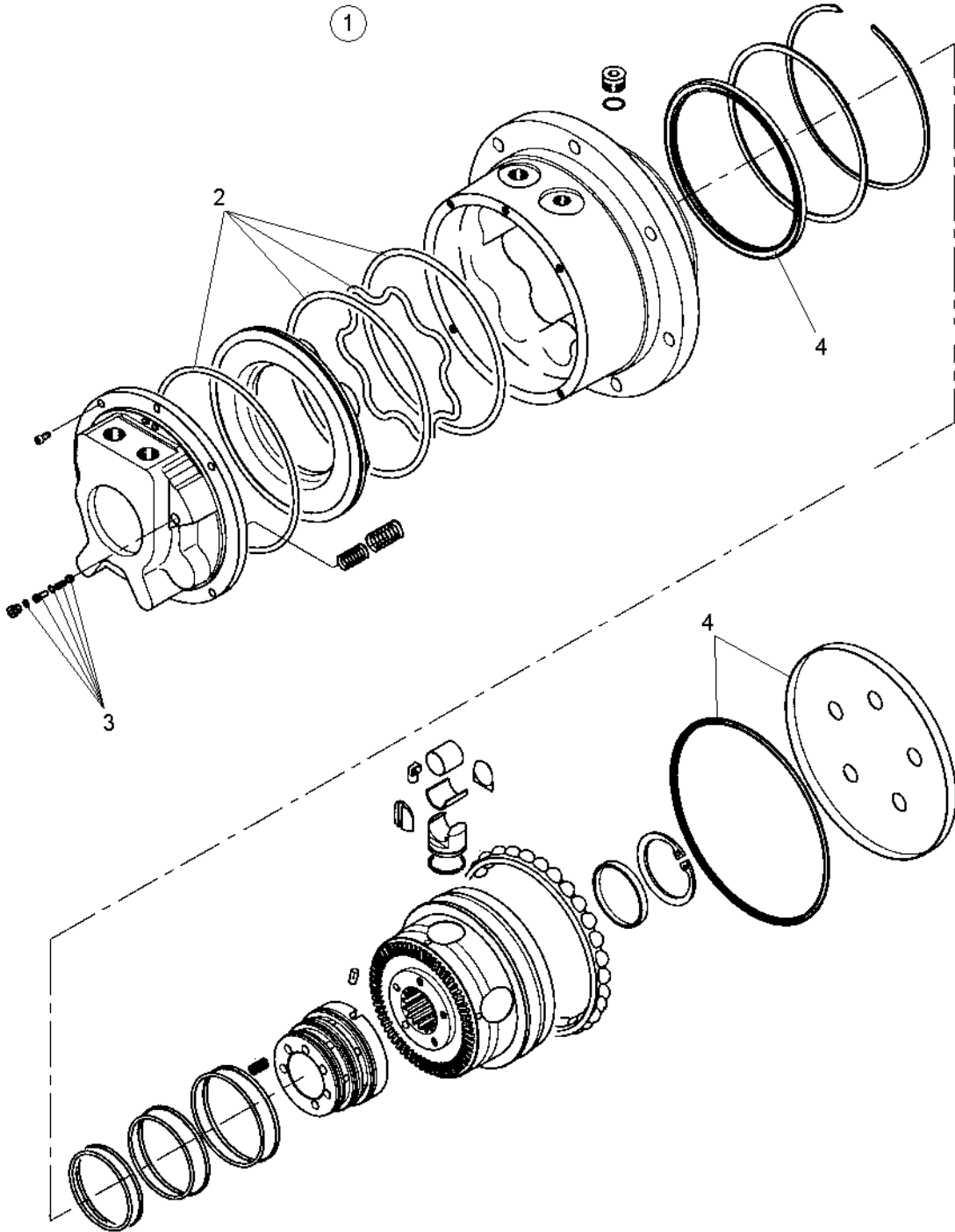


Hydraulic propulsion and brake system motor

Item	Part No	Rem	Qty	Description	Code
1	4700387270		2	Hydraulic motor (Page 52)	
2	4700904641		4	Connector	
3	4700791535		2	Connector	
4	4700791537		2	Straight connector	
14	4700387597		2	Pipe	
15	4700387598		2	Pipe	
16	4700387678		2	Rubber part	
17	4700387677		2	Spacer sleeve	
18	4700387676		1	Hose bracket	
19	4700500068		2	Screw	M08x65
20	4700483707	A	1	Hydraulic hose	
21	4700483646		1	Hydraulic hose	
22	4700483708	A	1	Hydraulic hose	
23	4700483689	A	1	Hydraulic hose	
24	4700483709	A	1	Hydraulic hose	
29	4700389403	A	1	Hydraulic hose	
30	4700389408	A	1	Hydraulic hose	
31	4700388960		2	Hose clamp	
32	4700500053		4	Screw	M8x20H 8.8
33	4700904229		6	Washer	8,4x16x1,5
39	4700904009		4	O-ring	

D

A) See section " Propulsion system, pump"

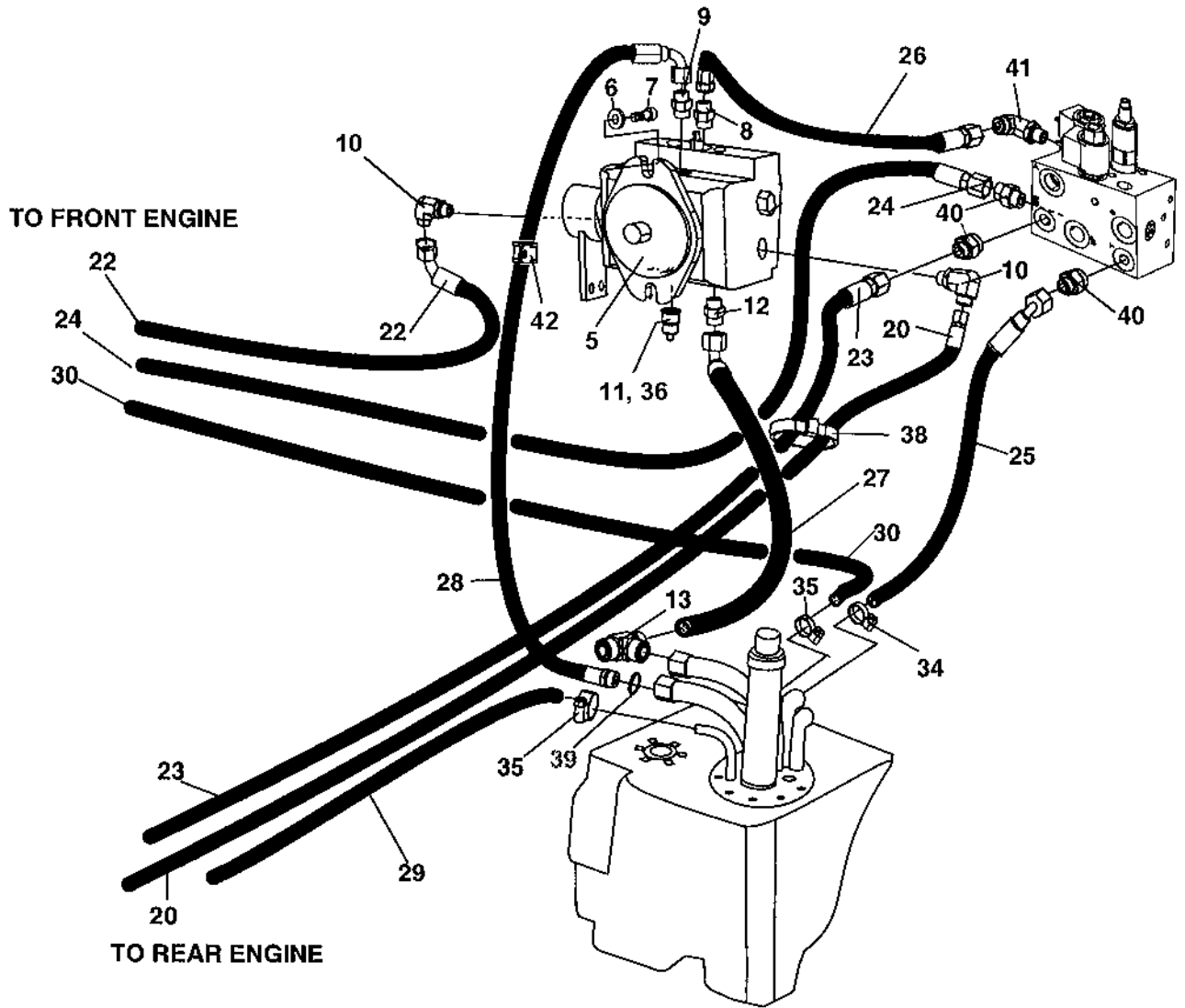


4700387270 Hydraulic motor

Item	Part No	Rem Qty	Description	Code
1	4700387270	1	Hydraulic motor (Page 52)	
2	4700945532	1	.Sealing kit	Debraking system
3		1	.Sealing kit	
4	4700945531	1	.Seal kit	Rotating parts

Hydraulic propulsion and brake system pump

18085

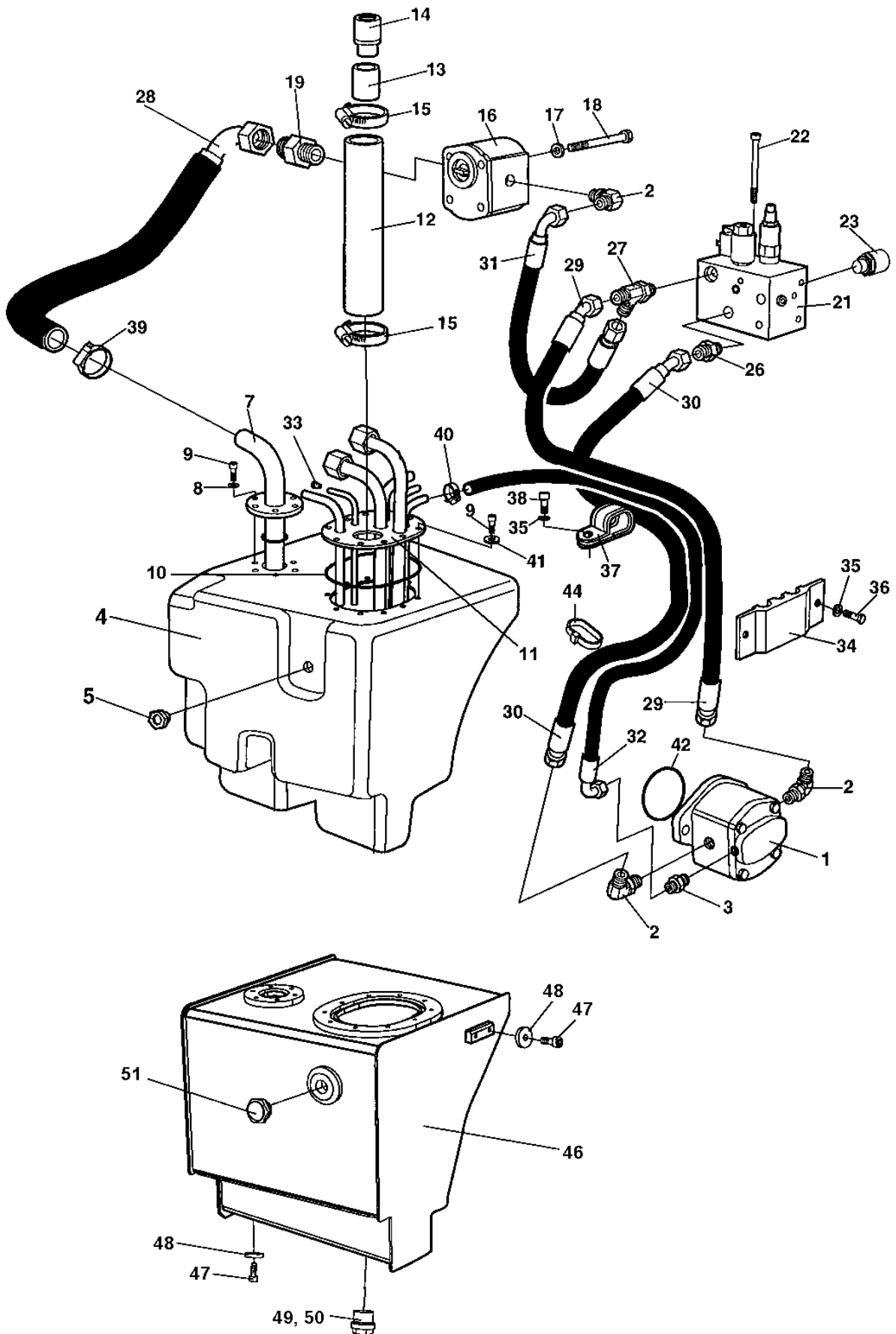


Hydraulic propulsion and brake system pump

Item	Part No	Rem	Qty	Description	Code
5	4700377293		1	Hydraulic pump	
6	4700904557		2	Washer	
7	4700508029		2	Screw	M10-1,5x30H 8,8
8	4700791541		1	Straight connector	
9	4700904727		1	Adapter	
10	4700791699		2	Elbow 90	
11		A	1	Temperature sensor	
12	4700792074		1	Straight connector	
13	4700791630		1	Tee-connector	
19	4700389404		1	Hydraulic hose	
20	4700483707		1	Hydraulic hose	
22	4700483708		1	Hydraulic hose	
23	4700483689		1	Hydraulic hose	
24	4700483709		1	Hydraulic hose	
25	4700389400		1	Hydraulic hose	
26	4700483652		1	Hydraulic hose	
27	4700483712		1	Hydraulic hose	
28	4700483714		1	Hydraulic hose	
29	4700389403		1	Hydraulic hose	
30	4700389408		1	Hydraulic hose	
34	4700313108		1	Hose clamp	
35	4700313001		2	Hose clamp	
36	4700162005	B	1	Washer sealing	
38	4700313102		1	Cable ties	
39	4700904009		1	O-ring	D
40	4700791538		3	Straight connector	
41	4700792094		1	Elbow 90	
42	4700921028		1	Clamp	

A) See section "Hydraulic cooling , option"

B) Used without hydraulic cooling,



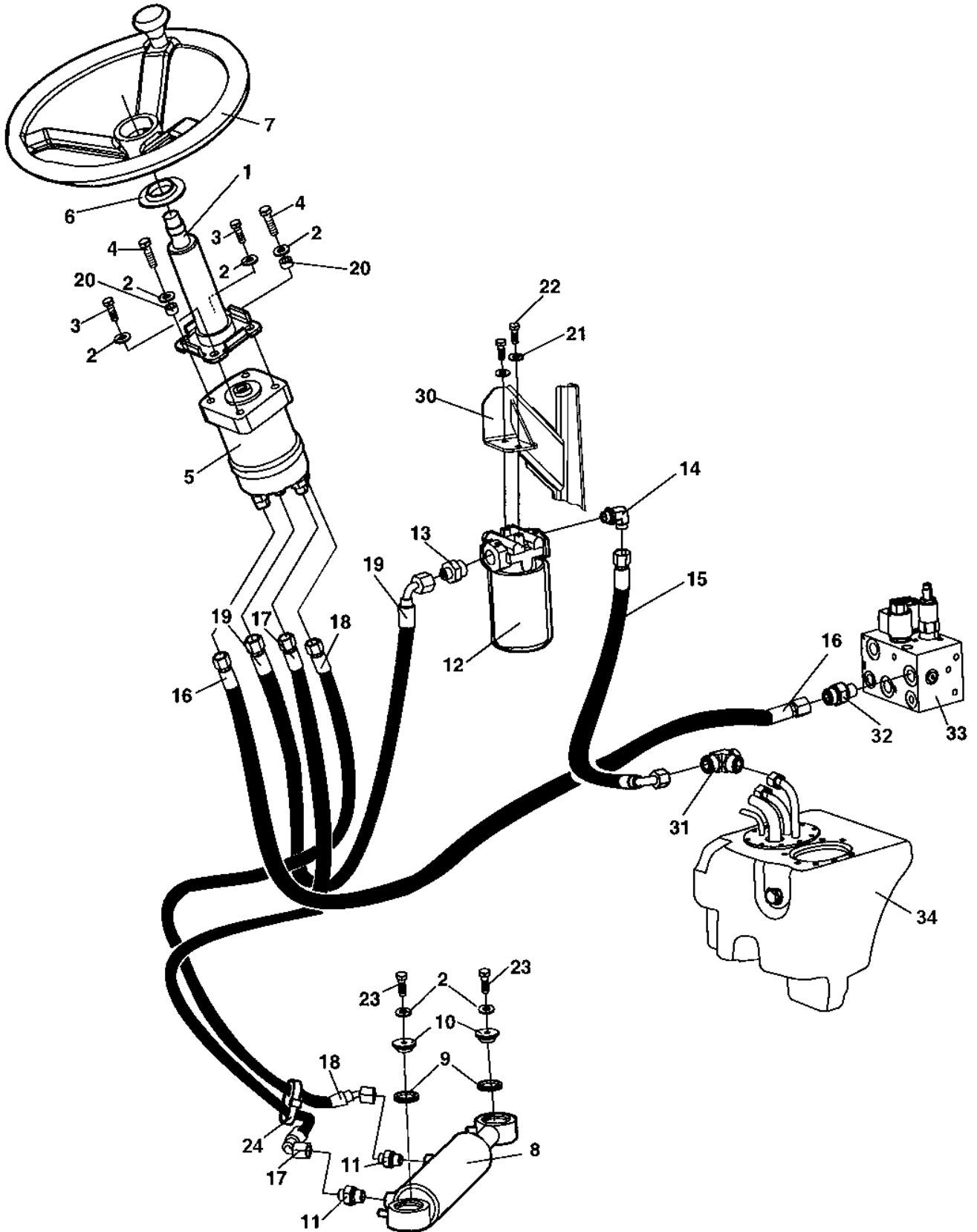
Hydraulic vibration

Item	Part No	Rem	Qty	Description	Code
1	4700390316		1	Hydraulic motor	
	4700945340		1	Seal kit	
2	4700791699		3	Elbow 90	
3	4700791541		1	Straight connector	
4	4700387278		1	Hydraulic oil tank	
5	4700791395		1	Sight plug	
6	4700791794		1	O-ring	
7	4700387758		1	Suction pipe	
8	4700904735		6	Washer	
9	4700508002		16	Screw	
10	4700792321		1	O-ring	
11	4700391343		1	Hydraulic tank cover	
12	4700205067		N	Rubber hose	
13	4700357139		1	Connector	
14	4700357138		1	Ventilating filter	A
15	4700313008		2	Hose clamp	D
16	4700377294		1	Hydraulic pump	
17	4700904230		2	Washer	
18	4700792092		2	Screw	
19	4700791631		1	Straight connector	
20	4700388194		1	Combination valve	
21	4700388194		1	Combination valve	
22	4700508094		2	Screw	
23	4700901157		1	Measuring nipple	D
26	4700791412		1	Straight o-ring connector	
27	4700791700		1	Tee-connector	
28	4700389414	A	1	Hydraulic hose	
29	4700483664	B	1	Hydraulic hose	
30	4700483664	B	1	Hydraulic hose	
31	4700483711	D	1	Hydraulic hose	
32	4700389402	A	1	Hydraulic hose	
33	4700389196		1	Protective plug	
34	4700388653		1	Hose clamp	
35	4700904229		3	Washer	8,4x16x1,5
36	4700500053		2	Screw	M8x20H 8.8
37	4700283711		1	Hose clamp	
38	4700508092		1	Screw	
39	4700313035		1	Hose clamp	
40	4700313108		1	Hose clamp	
41	4700904735		10	Washer	
42	4700160032		1	O-ring	D
44	4700313102		1	Cable ties	
46	4700379460		1	Hydraulic tank	
47	4700500013		4	Screw	M6-1x16 8,8
48	4700904735		4	Washer	
49	4700791120		1	Sealing washer	
50	4700232039		1	Plug	G3/4
51	4700791395		1	Sight plug	

A) L = 680 mm

B) L = 790 mm

D) L = 350 mm



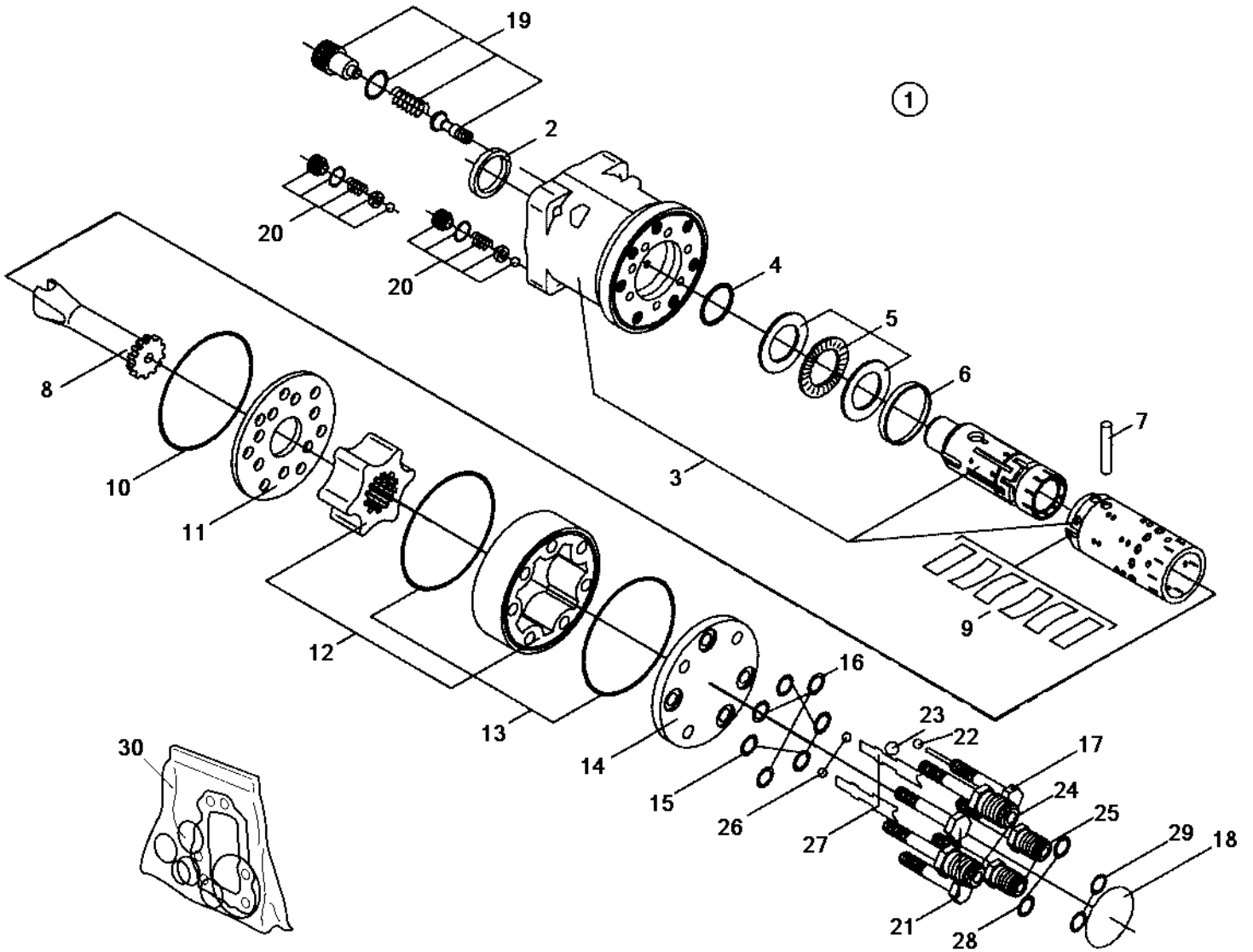
Hydraulic steering

Item	Part No	Rem Qty	Description	Code
1	4700902123	1	Steering column	
2	4700904230	6	Washer	
3	4700500048	2	Screw	M10-1,5x20 8,8
4	4700500031	2	Screw	
5	4700387274	1	Steering valve (Page 60)	
6	4700928830	1	Rubber washer	
7	4700372964	1	Steering wheel, cpl	
	4700935614	1	.Turning knob	D
	4700935613	1	.Cover	
8	4700387275	1	Hydraulic cylinder (Page 62)	
	4700945526	2	.Bearing	
9	4700791565	2	Sealing	
10	4700376861	2	Washer	
11	4700791542	2	Straight connector	
12	4700387277	1	Hydraulic oil filter, cpl	
	4700376636	1	.Cleaning filter element	Maximum 50 hours use
	4700376637	E 1	Filter element	A
13	4700791408	2	Straight o-ring connector	
14	4700792068	A 1	Elbow 90	
15	4700483716	A 1	Hydraulic hose	
16	4700483710	1	Hydraulic hose	
17	4700483654	1	Hydraulic hose	
18	4700483655	1	Hydraulic hose	
19	4700483656	1	Hydraulic hose	
20	4700355869	2	Spacer sleeve	
21	4700904229	2	Washer	8,4x16x1,5
22	4700500053	2	Screw	M8x20H 8.8
23	4700947684	2	Screw	
24	4700313102	1	Cable ties	
30		B 1	Bracket	
31		C 1	Tee-connector	
32	4700791412	1	Straight o-ring connector	
33		D 1	Combination valve	
34		D 1	Hydraulic tank	

- A) Together with hydraulic cooling see section "Hydraulic cooling"
- B) See section " Engine hood"
- C) See section "Hydraulic propulsion and brake"
- D) See section " Hydraulic vibration"
- E) Spare part for ordinary service

4700387274 Steering valve

18885



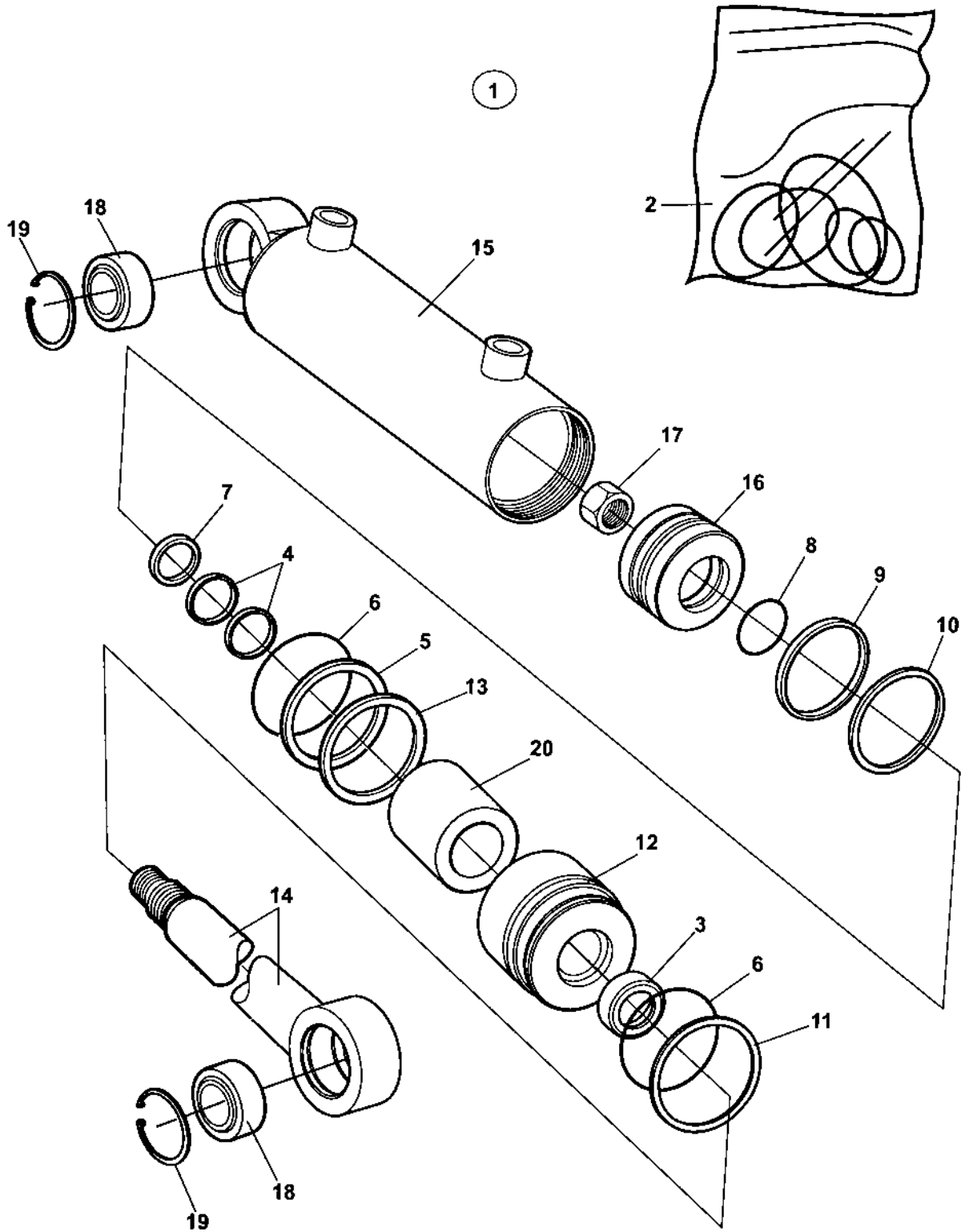
4700387274 Steering valve

Item	Part No	Rem	Qty	Description	Code
1			1	Steering valve, cpl	
2		A	1	.Seal ring	
3			1	.Housing, spool and sleeve	
4		A	1	.O-ring	
5			1	.Bearing	
6			1	.Ring	
7			1	.Cross pin	
8			1	.Cardan shaft	
9			1	.Set of springs	
10		A	1	.O-ring	
11			1	.Distributor plate	
12			1	.Gear wheel set	
13		A	2	.O-ring	
14			1	.End cover	
15		A	4	.O-ring	
16		A	3	.Washer	
17			1	.Screw with pin	
18			1	.Name plate	
19			1	.Relief valve	
20			2	.Shock valves	
21			2	.Screw	
22			1	.Ball	
23			1	.Ball	
24			2	.Port	
25			2	.Port	
26			2	.Ball	
27			2	.Ball stop	
28			2	.O-ring	
29			2	.O-ring	
30	4700935429		1	.Seal kit	

A) Included in sealkit, item 30

4700387275 Hydraulic cylinder

18812



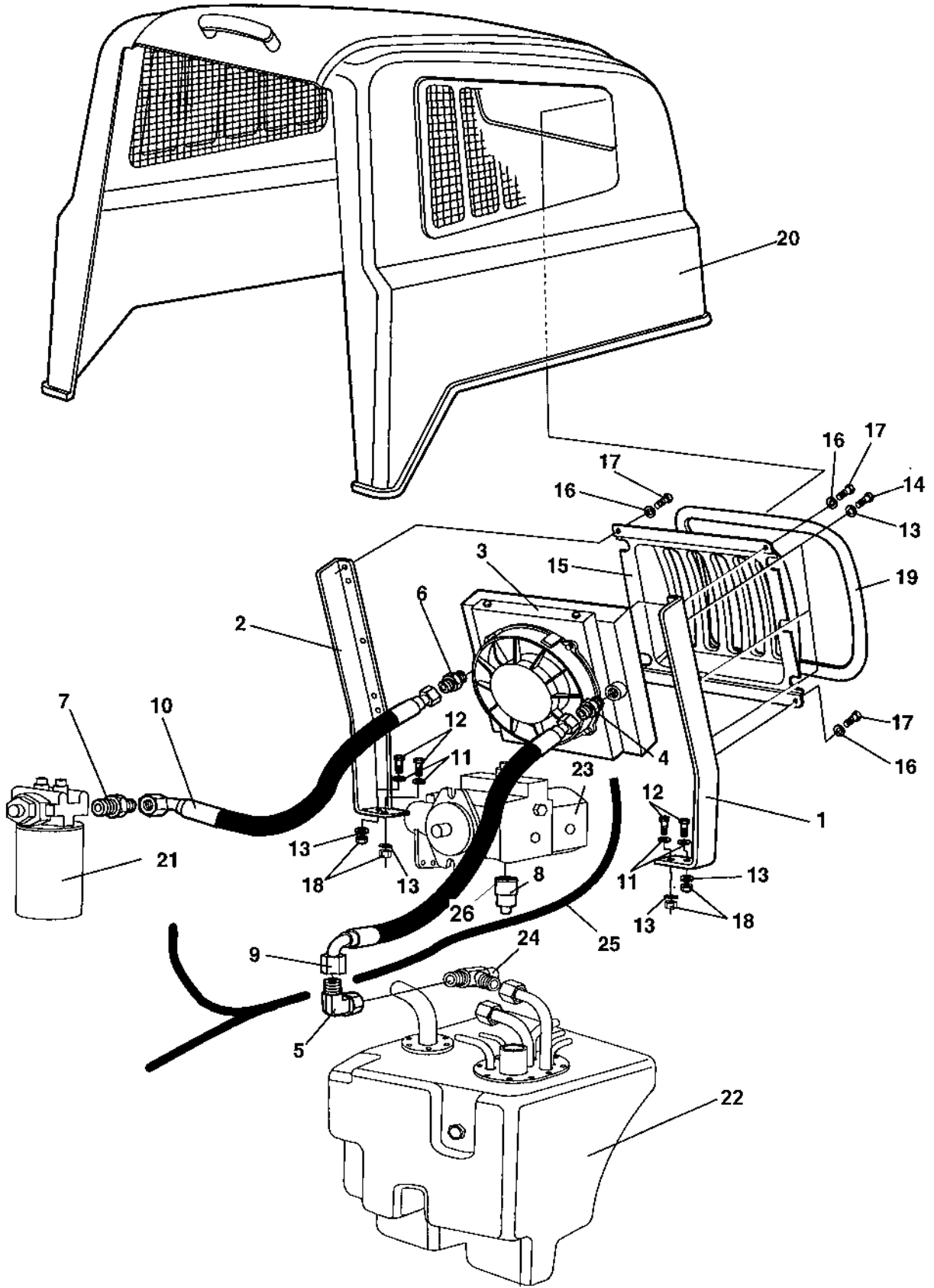
4700387275 Hydraulic cylinder

Item	Part No	Rem	Qty	Description	Code
1	4700387275		1	Hydraulic cylinder (Page 62)	
2			1	.Seal kit	
3			1	..Seal	
4			2	..Seal	
5			1	..Back-up ring	
6			2	..O-ring	
7			1	..Seal	
8			1	..O-ring	
9			1	..Seal	
10			1	..Seal	
11			1	.Retaining ring	
12			1	.Steering	
13			1	.Retaining ring	
14			1	.Piston rod	
15			1	.Cylinder	
16			1	.Piston block	
17			1	.Cylinder nut	
18	4700945526		1	.Bearing	
19			1	.Retaining ring	
20		A	1	.Spacer	

A) Not valid for this model

Hydraulic cooling Option

18095-1



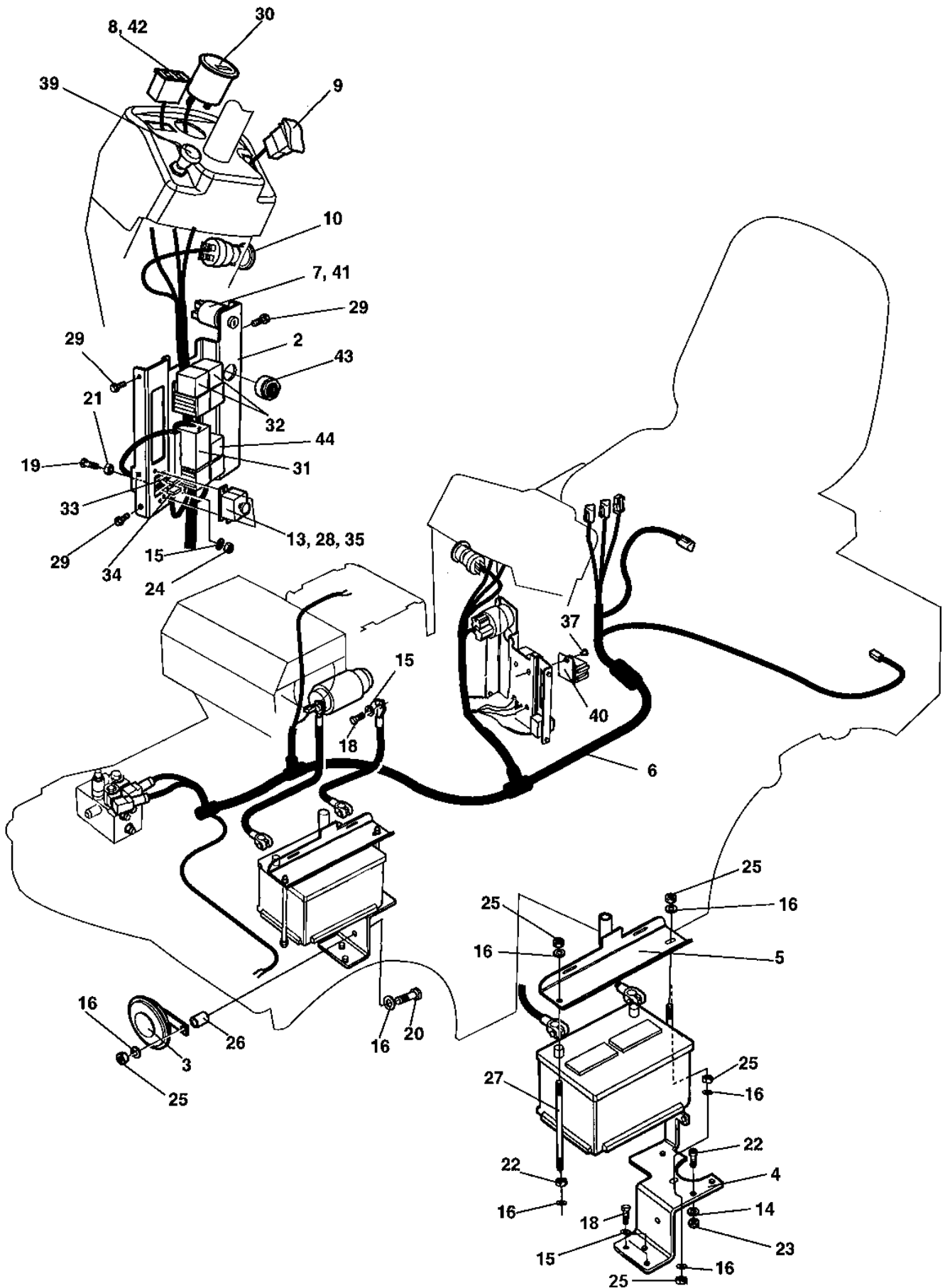
Hydraulic cooling Option

Item	Part No	Rem	Qty	Description	Code
1	4700388559		1	Cooler bracket	
2	4700388558		1	Cooler bracket	
3	4700387530		1	Hydraulic oil cooler	
4	4700904641		1	Connector	
5	4700904766		1	Elbow adapter 90	
6	4700791635	A	1	Straight connector	
7	4700791408		1	Straight o-ring connector	
8	4700377339		1	Temperature sensor	
9	4700483713		1	Hydraulic hose	
10	4700483715	C	1	Hydraulic hose	
11	4700904556		4	Washer	8,4x16x3,0
12	4700500022		4	Screw	M8x30H 8.8 A2K
13	4700904229		10	Washer	8,4x16x1,5
14	4700500018		6	Screw	M8-1,25x12 8,8
15	4700389146		1	Cover	
16	4700904228		4	Washer	6,4x12x1,5
17	4700500012		4	Screw	M6x12
18	4700586003		4	Lock nut	M8
19	4700902166		1	Edge trim	
20	4700377857	E	1	Engine hood, cpl	
21		G	1	Hydraulic oli filter	
22		F	1	Hydraulic oil tank	
23		B	1	Hydraulic pump	
24		B	1	Tee-connector	
25	4700390486		1	Cable harness	
26	4700162005		1	Washer sealing	

- A) Replace elbow 4700792068 section "Hydraulic steering"
- B) See section "Hydraulic propulsion and brake"
- C) Replace hose 4700483716 "Hydraulic steering"
- E) Replace engine hood 4700387147
- F) See section "Hydraulic oil tank"
- G) See section "Hydraulic steering"

Electrical equipment

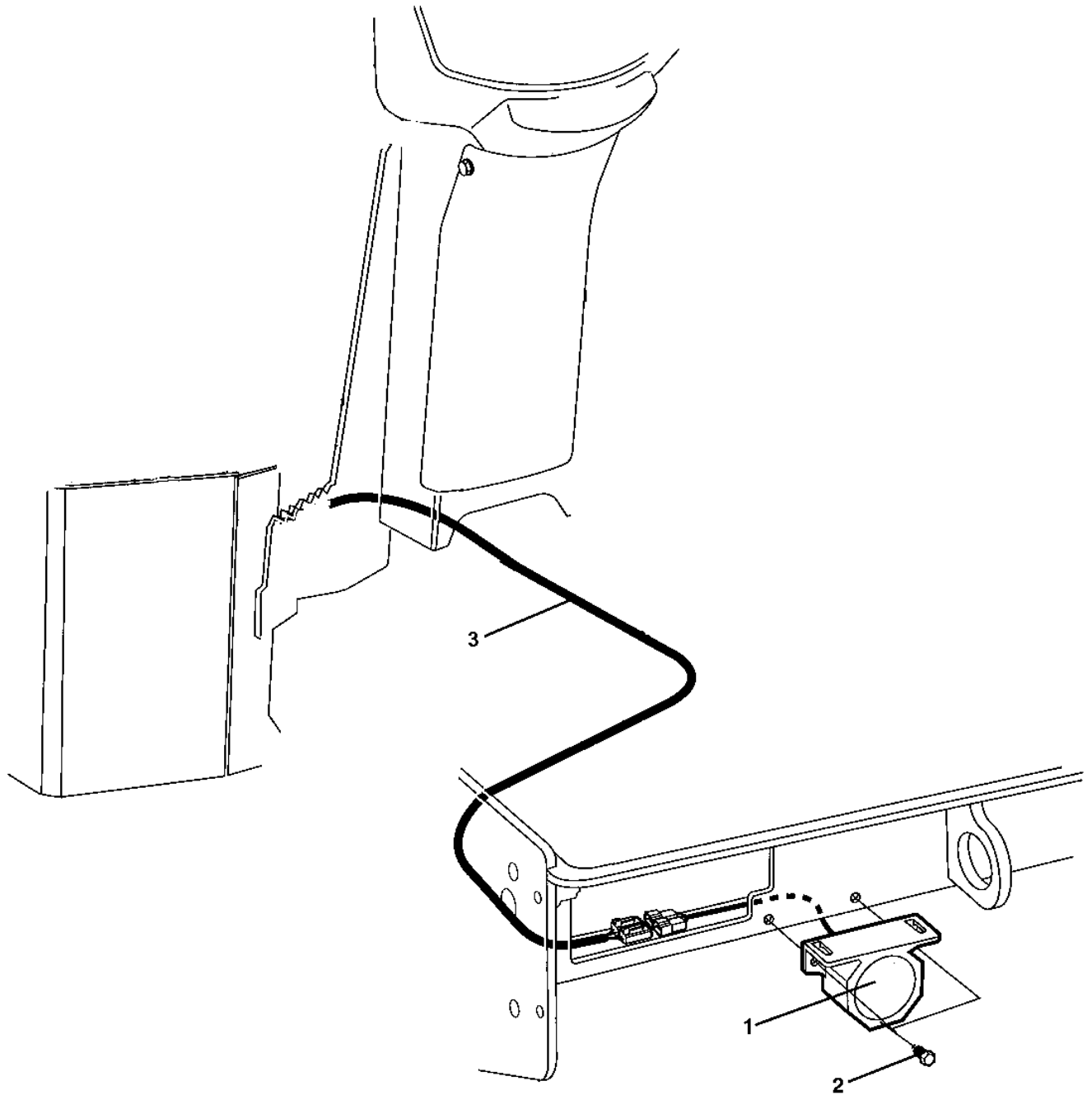
Item	Part No	Rem Qty	Description	Code
10			Electrical equipment (Page 68)	
60			Back-up alarm (Page 70)	Option



Item	Part No	Rem	Qty	Description	Code
1	4700791502		1	Battery	
2	4700387683		1	Distribution control plate	
3	4700999027		1	Horn	D
4	4700387284		1	Battery shelf	
5	4700388721		1	Battery holder	
6	4700390514		1	Cable harness	
7	4700792089		1	Ignition switch	
	4700792100		1	.Key	
8	4700792075		1	Display	
9	4700791578		1	Switch, horn	
10	4700791647		1	Emergency stop	
11	4700792095		1	Battery cable	(+)
12	4700792096		1	Battery cable	(-)
13	4700792091		1	Fuse holder	
14	4700904698		2	Washer	
15	4700904228		2	Washer	6,4x12x1,5
16	4700904229		8	Washer	8,4x16x1,5
17	4700508022		2	Screw	M4x16
18	4700500040		1	Screw	M6-1x20 8,8
19	4700500040		1	Screw	M6-1x20 8,8
20	4700500024		1	Screw	M8x45
21	4700570004		1	Nut	M6X1,00 -8 A2K
22	4700570005		3	Nut	M8
23	4700923976		2	Nut	
24	4700586002		1	Lock nut	M6 -8
25	4700586003		3	Lock nut	M8
26	4700355704		1	Spacer sleeve	
27	4700791550		2	Threaded stud	
28	4700901767		2	Screw	ST3,5x9,5 Black
29	4700903782		4	Screw	M5x12
30	4700389727		1	Hour meter	
31	4700382782		1	Relay, VBS	
32	4700903956		3	Relay	D
33	4700901226		1	Fuse	7.5A
34	4700901228		1	Fuse	15A
35	4700901240		1	Connector	
36	4700500053		3	Screw	M8x20H 8.8
37	4700902223		4	Screw	
38	4700904640		2	Washer	8,4x22x3
39		A	1	Choke	
40			4	Relay holder	
41	4700792090		1	Connector	
42	4700792191		1	Gasket	
43	4700385599	B	1	Buzzer	
44	4700904846	B	1	Delay relay	
45	4700903956		1	Relay	D

A) See section "Forward/reverse control"

B) Included in rebuild kit 4700940867. (replacement for PN 4700377325)



Back-up alarm Option

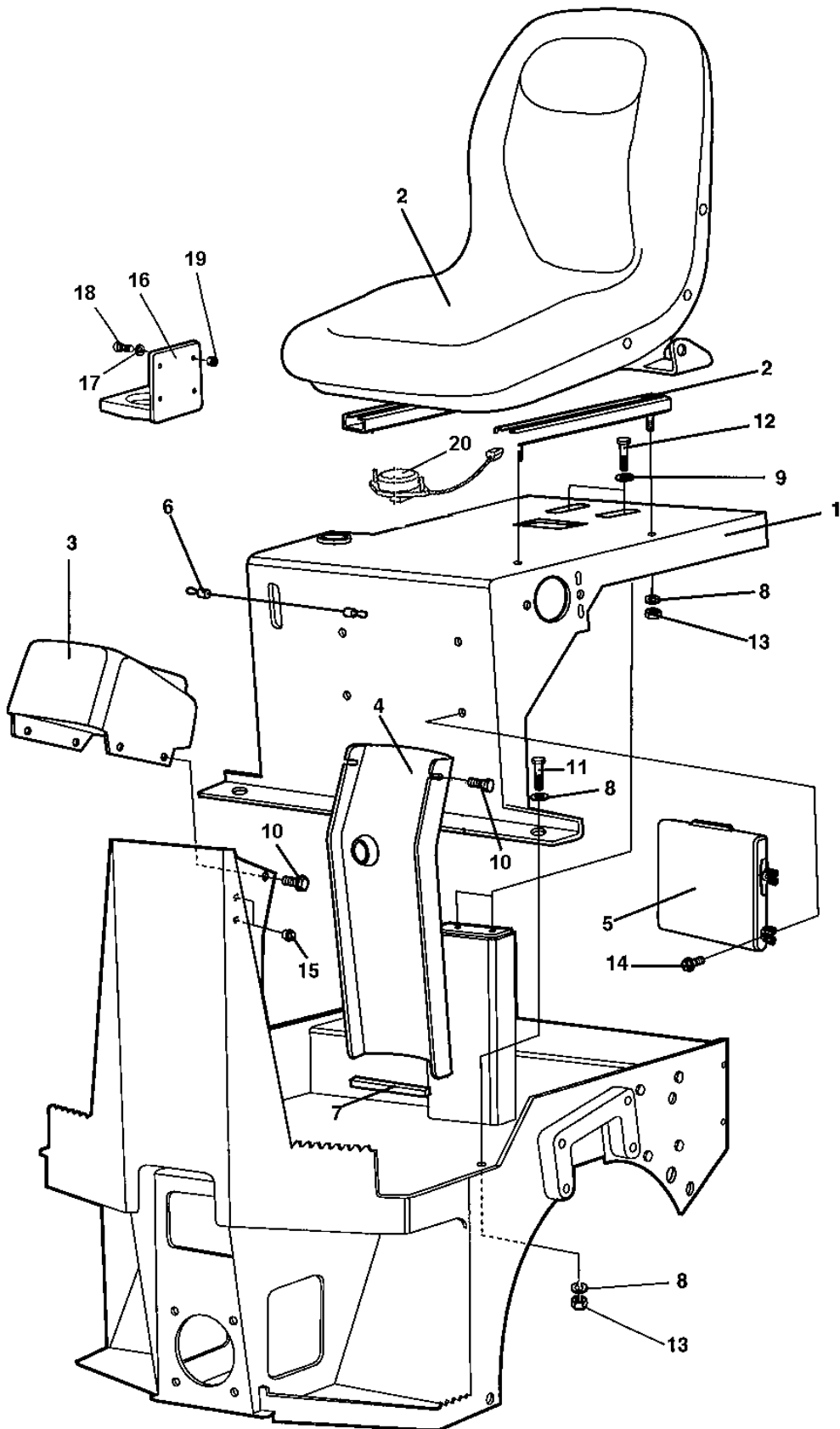
Item	Part No	Rem Qty	Description	Code
1	4700792098	1	Back-up alarm	
2	4700541702	2	Screw	M6x12
3		1	Cable harness	

Drivers platform

Item	Part No	Rem Qty	Description	Code
10			Drivers platform (Page 74)	
31			F/R- , throttle- and choke control (Page 76)	
45			Forward and reverse control handle (Page 78	CC900G
60			Rops (Page 80)	Option

Drivers platform

18075



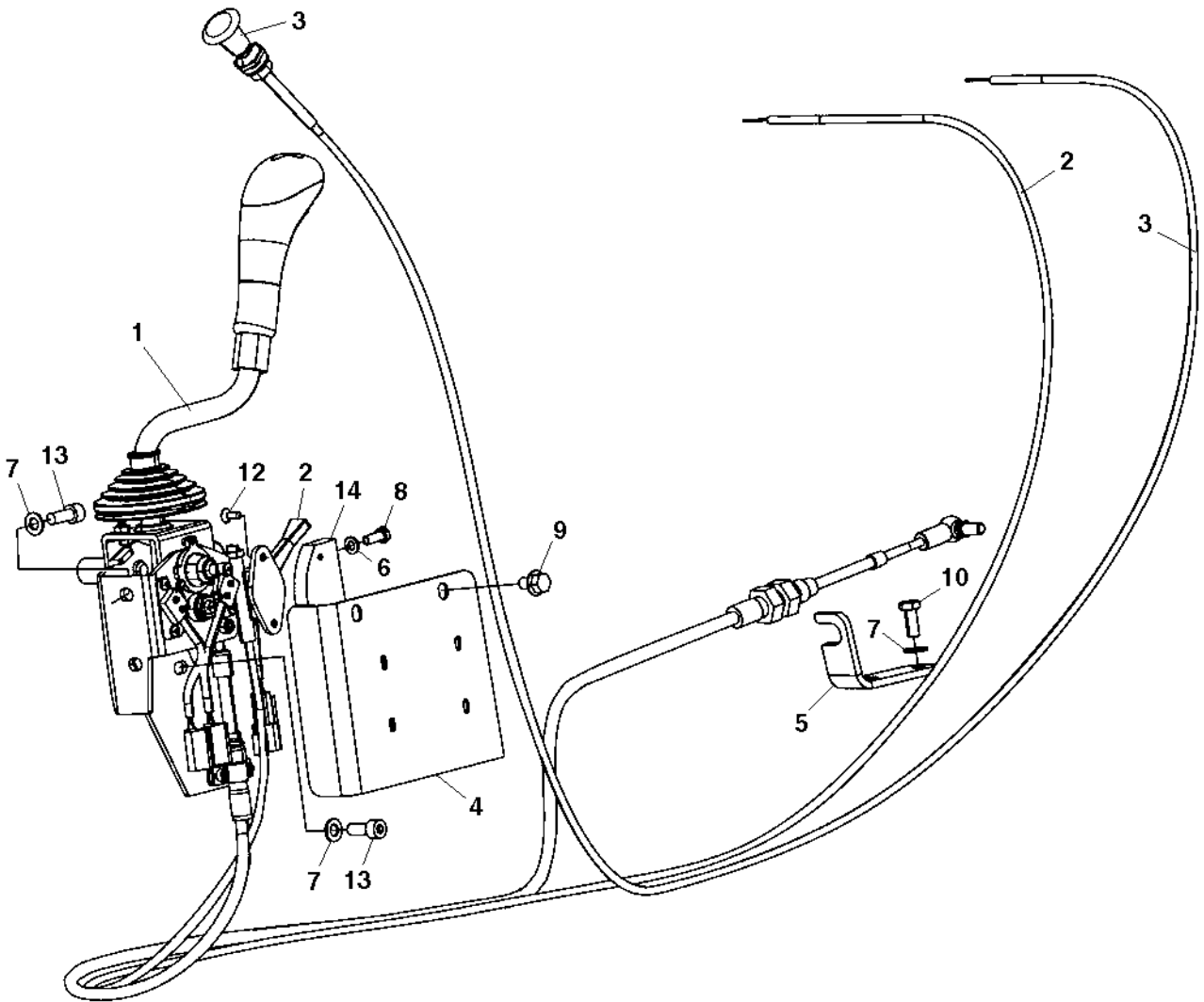
Drivers platform

Item	Part No	Rem	Qty	Description	Code
1	4700388056		1	Platform	
2	4700377556		1	Seat	
3	4700376595		1	Instrument panel	
4	4700387226		1	Column cover	
5	4700383705		1	Instruction book holder	
6	4700357643		1	Wire	
7	4700902166		1	Edge trim	
8	4700904229		8	Washer	8,4x16x1,5
9	4700904557		2	Washer	
10	4700904755		6	Screw	M8x12 8,8 FZB
11	4700500021		2	Screw	M8-1,25x25 8.8
12	4700500030		2	Screw	
13	4700586003		6	Lock nut	M8
14	4700791226		4	Screw	
15	4700902919		4	Plug	
16	4700377255	A	1	Cup holder	
17	4700904698	A	4	Washer	
18	4700513027	A	4	Screw	M4x16H 10,9
19	4700923976	A	4	Nut	
20	4700379635		1	Seat switch	

A) Option

F/R- , throttle- and choke control

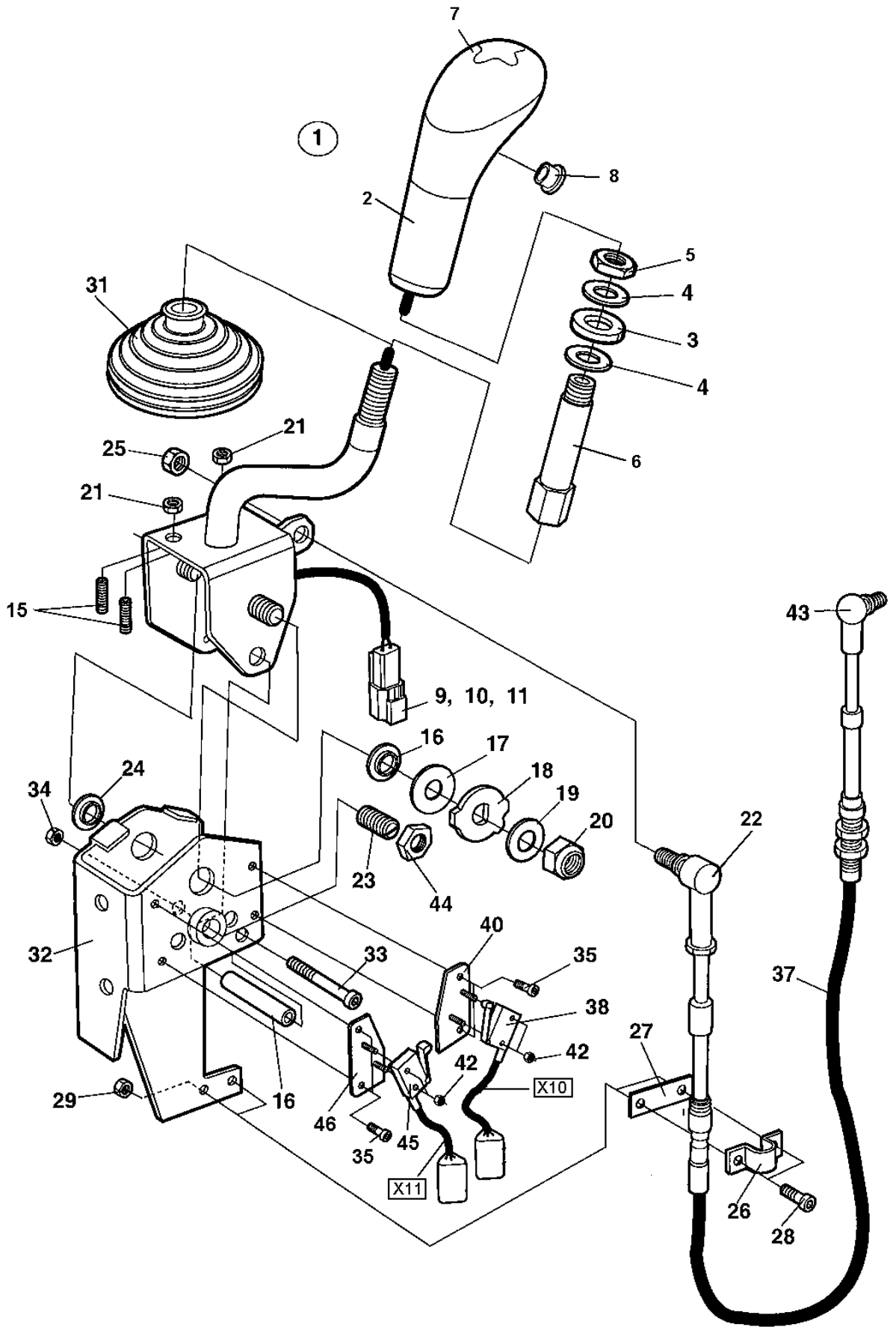
18590



F/R- , throttle- and choke control

Item	Part No	Rem Qty	Description	Code
1		1	Forward and reverse control handle (Page 78CC900G	
2	4700391833	1	Throttle control	
3	4700388459	1	Choke control	
4	4700388476	1	Control cover	
5	4700388460	1	Control bracket	
6	4700904228	2	Washer	6,4x12x1,5
7	4700904229	5	Washer	8,4x16x1,5
8	4700500013	2	Screw	M6-1x16 8,8
9	4700904755	2	Screw	M8x12 8,8 FZB
10	4700500053	2	Screw	M8x20H 8.8
12	4700513004	2	Screw	M5x12H 10.9
13	4700508092	3	Screw	
14	4700393095	1	Bracket	

Forward and reverse control handle CC900G
CC900G100700030



Forward and reverse control handle CC900G

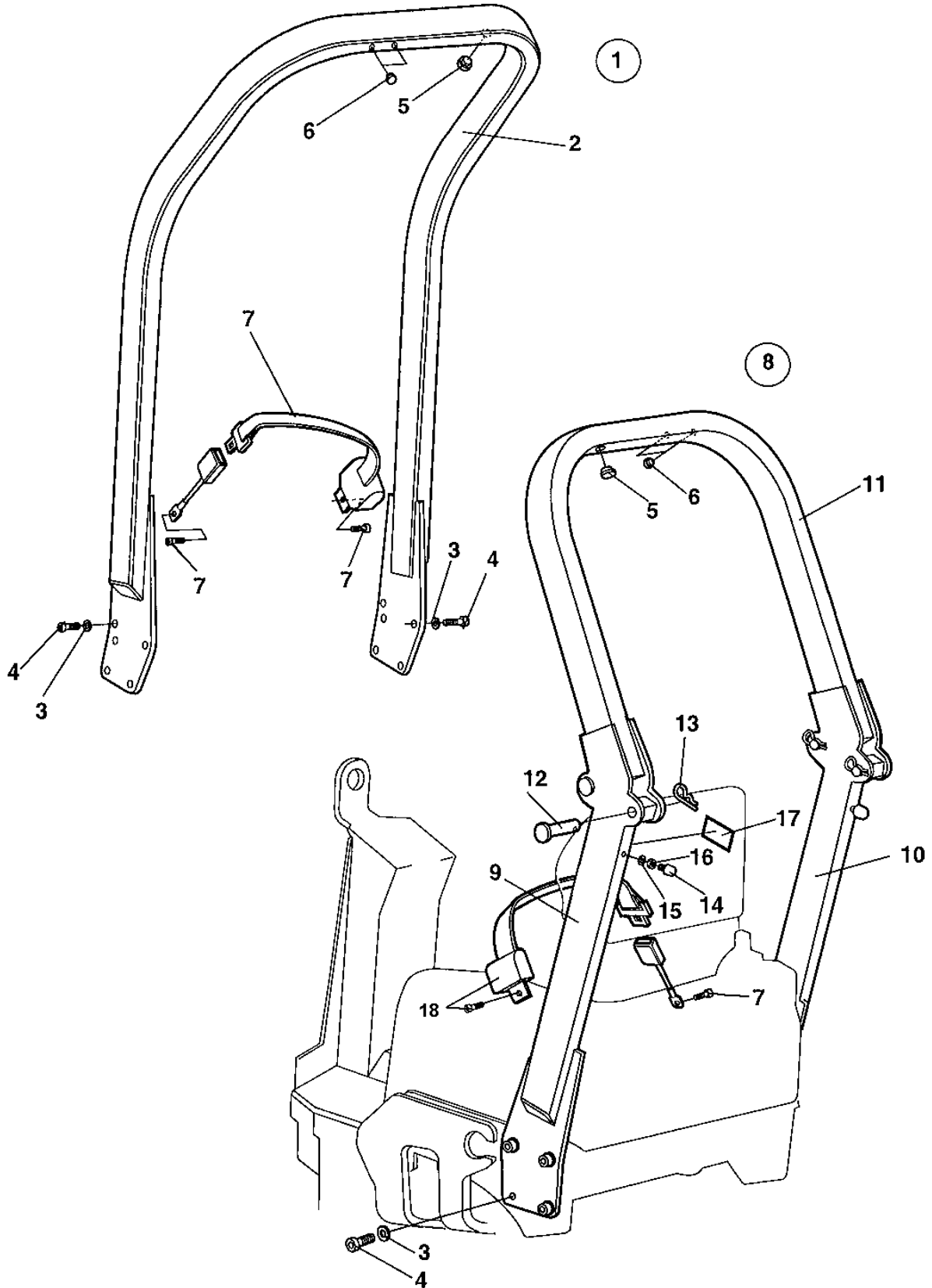
Item	Part No	Rem	Qty	Description	Code
1	4700945407		1	Lever, cpl	
2	4700940374		1	.Handle kit, cpl	
			1	..Handle	
			1	...Button	
			1	...Cable	
			1	..Lock fluid	
			1	..Service information	
3			1	..Washer	
4			2	..Washer	
5			1	..Nut	
6			1	..Rod	
7	4700378759		1	..Handle top	
8	4700377018		1	..Protection plug	
9			1	..Connector, receptable	
10			1	..Lock wedge	
11			2	..Pin	
12	4700391379		1	.Lever	
13	4700377009		1	.Bellows	
14	4700570004		2	.Nut	M6X1,00 -8 A2K
15	4700377015		2	Set screw	
16	4700377011		1	Spacer	
17	4700377012		1	Friction washer	
18	4700377013		1	Cam washer	
19	4700377014		1	Spring washer	
20	4700586019		1	Lock nut	
21	4700570004		2	Nut	M6X1,00 -8 A2K
22	4700377019		1	Ball joint	
23	4700377016		1	Spring loaded pin	
24	4700377017		2	Bushing	
25	4700586003		1	Lock nut	M8
26	4700377020		1	Clamp	
27	4700377021		1	Spacer	
28	4700926537		2	Screw	M5-0,8x16H 8,8
29	4700586001		2	Lock nut	
30	4700377008		1	Holder	
31	4700377009		1	Bellows	
32	4700377010		1	Bracket	
33	4700508068		1	Screw	
34	4700904563		1	Lock nut	M6
35	4700377023		4	Screw	
36	4700377023		2	Screw	
37	4700377741		1	Cable	
38	4700940930	B	2	Micro switch, cpl left	
			1	.Connector plug	
			1	.Lock wedge	
			1	.Pin	
40			1	.Micro switch holder	
42	4700377704		4	Nut	
43	4700377706		1	Ball joint	
44	4700927233		1	Nut	
45	4700940929	C	1	Micro switch, cpl right	
			1	.Connector plug	
			1	.Lock wedge	
			1	.Pin	
46			1	.Micro switch holder	

B) For cable marked X10

C) For cable marked X11

Rops Option

CC900G100700060



Rops Option

Item	Part No	Rem	Qty	Description	Code
1			1	Rops, cpl	
2	4700387142		1	Rops	
3	4700904231		8	.Washer	13x24x2 300 HV
4	4700508063		8	.Screw	
5	4700282603		1	.Plastic plug	
6	4700900986		1	.Plug	
7	4700383200	A,B	1	.Seat belt	3"
8			1	Rops foldable, cpl	
9	4700389794		1	.Rops beam	
10	4700389797		1	.Rops beam	
11	4700389790		1	.Rops beam	
12	4700389798		4	.Threaded spike	
13	4700635061		4	.Hair clip	D
14	4700280101		2	.Shock absorber	
15	4700904229		2	.Washer	8,4x16x1,5
16	4700573008		2	.Nut	M8
17	4700908229		1	.Safety decal	
18	4700377677		1	.Seat belt	2"

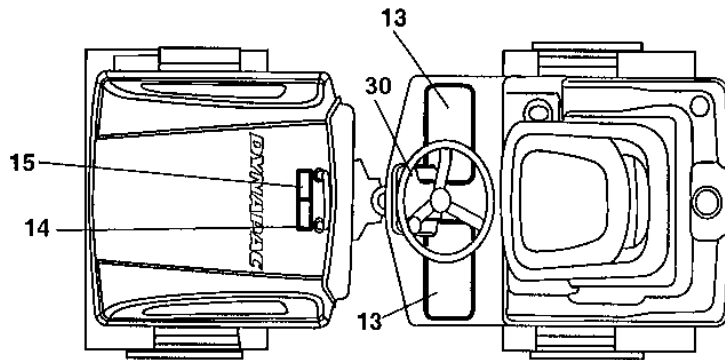
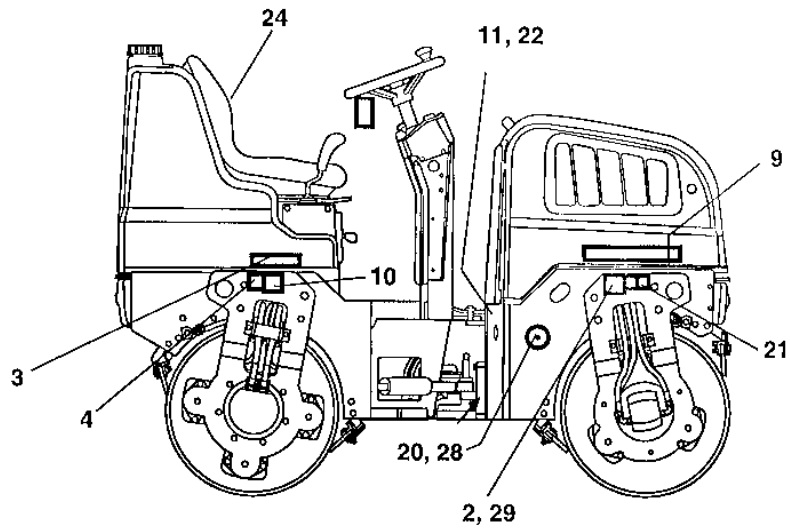
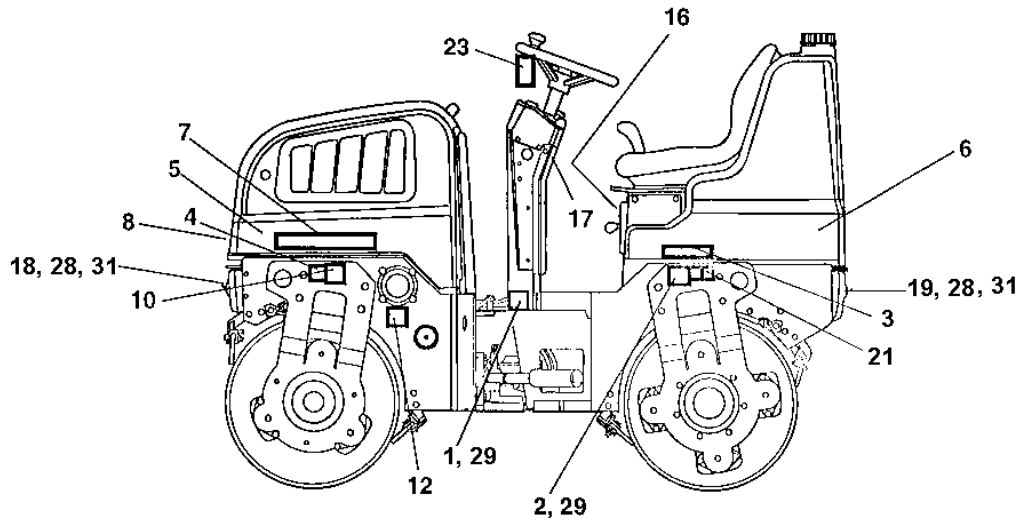
- A) Hardware supplied
- B) Option

Decals and documentation

Item	Part No	Rem Qty	Description	Code
10			Decals and documentation (Page 84)	CC900G

Decals and documentation CC900G

18090

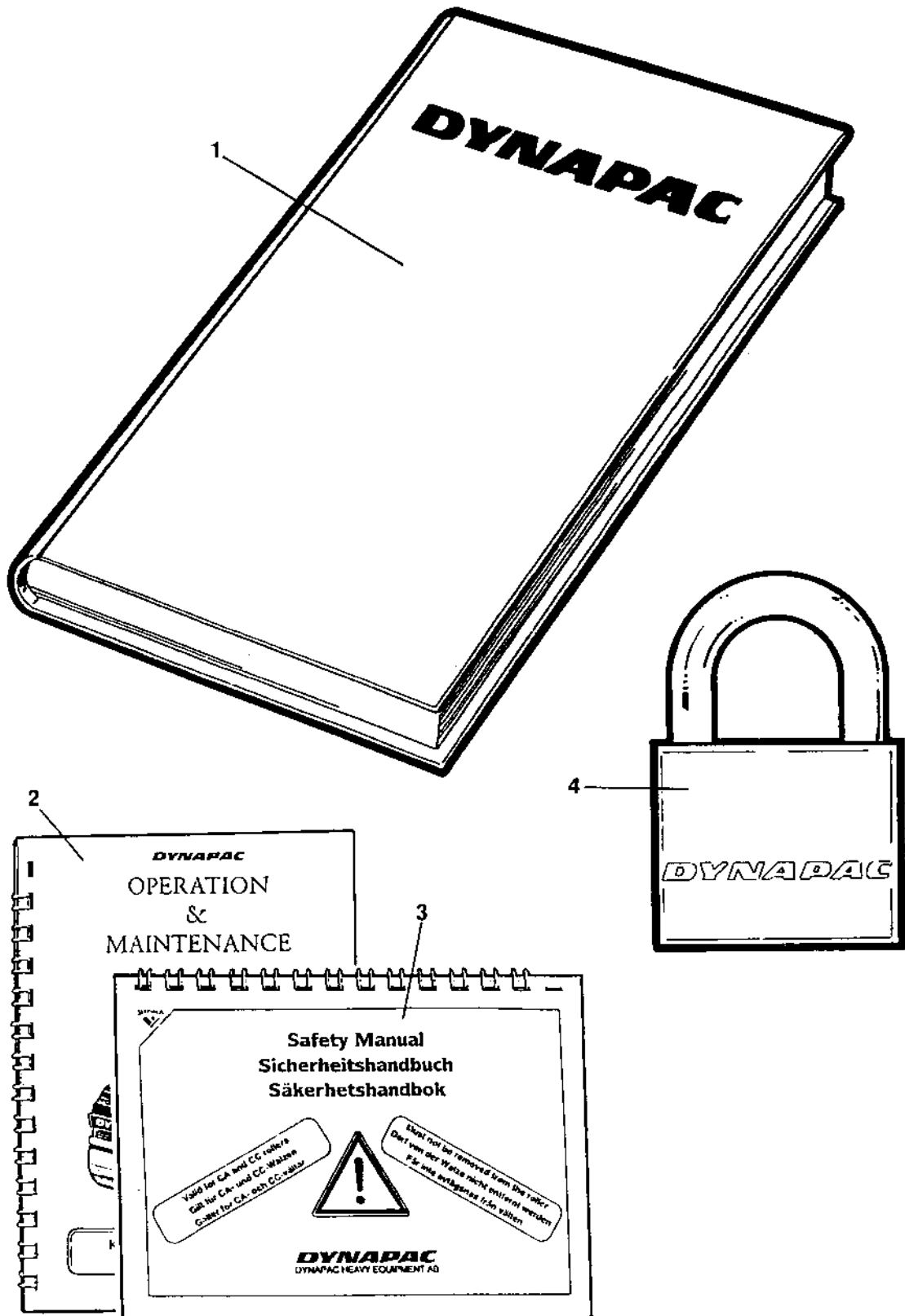


Decals and documentation CC900G

Item	Part No	Rem Qty	Description	Code
1		1	Product identification plate	
2	4700904870	2	Lifting sign	
3	4700792128	2	Decal "MODEL CODE"	
4	4700357587	2	Decal "LIFT POINT"	
5	4700389919	1	Engine hood decal	
6	4700377343	1	Decal	
7	4700904097	3	Decal "DYNAPAC"	L=290 mm
8	4700904092	1	Decal "DYNAPAC"	L=590 mm
9		1	Product identification	
10	4700382751	2	Decal "TIE DOWN POINT"	
11	4700903422	2	Decal "SAFETY"	
12	4700381371	1	Decal "FUEL"	
13	4700373363	2	Slip protection	
14	4700903423	1	Decal "SAFETY"	
15	4700903424	1	Decal "HOT SURFACE"	
16	4700903425	1	Decal "SAFETY MANUAL"	
17	4700903459	1	Decal "SAFETY"	
18	4700791957	2	Reflector, white	
19	4700791956	2	Reflector, red	
20	4700791958	2	Reflector, light	
21	4700908229	2	Safety decal	
22	4700272373	1	Decal "HYDRAULIC OIL"	
23	4700377066	1	Loading/Unloading instruction	
24	4700348331	1	Seat cover	D
28	4700791666	6	Blind rivet	
29	4700624015	12	Blind rivet	4,0x8,5
30	4700378244	1	Decal "SPRINKLER"	
31	4700904228	8	Washer	6,4x12x1,5

Standard equipment

Item	Part No	Rem Qty	Description	Code
10		1	Standard equipment (Page 88)	



Item	Part No	Rem Qty	Description	Code
1		1	Documentation	ISCC900G
		1	.Warranty conditions	
		1	.Warranty registration certificate	
		1	.Spare parts catalogue	SCC900G
		1	.Warranty registration card	
		1	.Instruction manual	Honda GX620K1
2		1	.Operating / maintenance instruction	OM900G
3		1	.Safety manual	RSAFE
4	4700358881	1	Pad lock	

NUMERICAL INDEX

Part Number	Page	Part Number	Page	Part Number	Page
4700111018	23,39	4700377066	85	4700387598	51
4700160032	57	4700377255	75	4700387676	51
4700160041	41	4700377293	55	4700387677	27,45,51
4700160058	19,29	4700377294	57	4700387678	51
4700160132	21,23,39	4700377339	65	4700387682	47
4700162005	55,65	4700377343	85	4700387683	69
4700162017	39,41	4700377454	35	4700387695	47
4700205067	57	4700377456	31,35	4700387758	57
4700232039	57	4700377507	35	4700387779	27
4700232210	41	4700377508	35	4700387886	27
4700272373	85	4700377509	35	4700387935	35
4700280101	81	4700377556	75	4700387947	33
4700282603	81	4700377599	45	4700387948	33
4700283711	57	4700377660	45	4700387949	27,33
4700297018	33	4700377677	81	4700387956	33
4700313001	35,55	4700377679	45	4700388056	75
4700313003	35	4700377704	79	4700388087	35
4700313008	57	4700377706	79	4700388153	27,41
4700313023	47	4700377741	79	4700388171	19,29
4700313035	57	4700377857	65	4700388172	19,29
4700313102	55,57,59	4700378244	35,85	4700388173	19,29
4700313108	55,57	4700378759	79	4700388176	27,29
4700343490	39	4700379460	57	4700388177	27,29
4700343744	39	4700379635	75	4700388178	27,29
4700343801	39,41	4700379907	27	4700388194	57
4700348331	85	4700381371	85	4700388259	41
4700348924	47	4700382751	85	4700388386	41
4700349202	39	4700382782	69	4700388387	41
4700350029	39	4700383200	81	4700388413	41
4700355704	69	4700383705	75	4700388416	41
4700355869	59	4700385599	69	4700388454	33
4700357138	57	4700386241	39	4700388455	33
4700357139	57	4700386619	39	4700388456	33
4700357587	85	4700386620	39	4700388459	77
4700357643	75	4700386622	39,41	4700388460	77
4700358666	39	4700386624	39	4700388476	77
4700358689	39	4700386865	39	4700388521	47
4700358881	35,89	4700387039	31	4700388556	45
4700372964	59	4700387043	31	4700388557	47
4700373363	85	4700387057	27,29	4700388558	65
4700376595	75	4700387103	45	4700388559	65
4700376636	59	4700387137	39,41	4700388566	47
4700376637	7,11,59	4700387142	81	4700388570	45
4700376861	59	4700387147	33	4700388591	45
4700377008	79	4700387148	33	4700388653	57
4700377009	79	4700387151	33	4700388664	45
4700377010	79	4700387155	27,29	4700388688	45
4700377011	79	4700387226	75	4700388721	69
4700377012	79	4700387270	51,53	4700388733	33
4700377013	79	4700387274	59,61	4700388846	33
4700377014	79	4700387275	59,63	4700388849	27,41
4700377015	79	4700387277	59	4700388850	27,41
4700377016	79	4700387278	57	4700388852	33
4700377017	79	4700387279	47	4700388960	51
4700377018	79	4700387284	69	4700389009	45
4700377019	79	4700387345	31	4700389010	45
4700377020	79	4700387346	17,31	4700389146	65
4700377021	79	4700387376	27	4700389155	35
4700377023	79	4700387424	27,41	4700389196	57
4700377043	33	4700387425	27,41	4700389219	35
4700377044	33	4700387530	65	4700389400	55
4700377061	33	4700387597	51	4700389402	57

NUMERICAL INDEX

Part Number	Page	Part Number	Page	Part Number	Page
4700389403	51,55	4700500505	45	4700791961	27,29
4700389404	55	4700502036	45	4700791962	19,29
4700389408	51,55	4700508002	57	4700791972	27,41
4700389414	57	4700508022	33,69	4700792064	35
4700389727	69	4700508029	39,55	4700792065	35
4700389790	81	4700508063	81	4700792068	59
4700389794	81	4700508068	79	4700792073	35
4700389797	81	4700508092	57,77	4700792074	55
4700389798	81	4700508094	57	4700792075	69
4700389919	85	4700513004	77	4700792079	45
4700390316	57	4700513027	75	4700792089	69
4700390486	65	4700527002	39,41	4700792090	69
4700390514	69	4700541702	71	4700792091	69
4700391343	57	4700541703	45	4700792092	57
4700391379	79	4700541704	45	4700792094	55
4700391833	77	4700570004	69,79	4700792095	69
4700391985	15,39,41	4700570005	69	4700792096	69
4700393095	77	4700573008	81	4700792098	71
4700483646	51	4700586001	79	4700792100	69
4700483652	55	4700586002	33,47,69	4700792128	85
4700483654	59	4700586003	27,31,33,65,69	4700792132	33
4700483655	59		75,79	4700792134	31
4700483656	59	4700586018	45	4700792146	47
4700483664	57	4700586019	79	4700792147	47
4700483689	51,55	4700615065	47	4700792149	27,33
4700483707	51,55	4700624015	85	4700792191	69
4700483708	51,55	4700635061	81	4700792205	47
4700483709	51,55	4700791120	57	4700792206	47
4700483710	59	4700791226	75	4700792321	57
4700483711	57	4700791395	57	4700792611	19,29
4700483712	55	4700791408	59,65	4700900986	81
4700483713	65	4700791412	57,59	4700901157	57
4700483714	55	4700791422	47	4700901174	31
4700483715	65	4700791425	21,39	4700901226	69
4700483716	59	4700791426	21,23,39	4700901228	69
4700500012	39,65	4700791433	21,39	4700901240	69
4700500013	57,77	4700791493	45	4700901767	69
4700500018	65	4700791502	69	4700902123	59
4700500019	27	4700791535	51	4700902166	33,65,75
4700500021	41,75	4700791536	45	4700902223	69
4700500022	39,65	4700791537	51	4700902287	31
4700500024	31,69	4700791538	55	4700902379	27
4700500029	35	4700791541	55,57	4700902919	75
4700500030	75	4700791542	59	4700903154	39
4700500031	39,59	4700791550	69	4700903192	35
4700500032	45	4700791565	59	4700903236	47
4700500033	45	4700791578	69	4700903374	39,41
4700500035	27	4700791630	55	4700903422	85
4700500040	69	4700791631	57	4700903423	85
4700500048	59	4700791635	65	4700903424	85
4700500050	19,29	4700791643	33	4700903425	85
4700500053	33,45,51,57,59	4700791647	69	4700903459	85
	69,77	4700791666	33,85	4700903782	69
4700500067	27,31,45	4700791699	55,57	4700903856	33
4700500068	33,51	4700791700	57	4700903956	69
4700500070	41	4700791754	47	4700903957	35
4700500088	47	4700791794	57	4700903958	35
4700500105	31	4700791938	31	4700903959	35
4700500109	45	4700791939	31	4700904009	51,55
4700500176	27	4700791956	85	4700904092	85
4700500212	39	4700791957	85	4700904097	85
4700500280	39,41	4700791958	85	4700904116	35

NUMERICAL INDEX

Part Number	Page	Part Number	Page	Part Number	Page
4700904214	27	4700945407	79		
4700904228	27,33,39,65,69 77,85	4700945526	59,63		
4700904229	31,33,51,57,59 65,69,75,77,81	4700945531	53		
4700904230	45,57,59	4700945532	53		
4700904231	27,39,41,81	4700945551	13,15		
4700904281	35	4700945710	13,21		
4700904556	27,33,45,65	4700945711	13,23		
4700904557	39,41,45,55,75	4700945928	13,19,29		
4700904558	39,41	4700947684	59		
4700904563	79	4700947687	39,41		
4700904567	35	4700947694	39,41		
4700904640	27,31,39,41,45 69	4700950103	45		
4700904641	51,65	4700950104	45		
4700904696	35	4700950105	45		
4700904698	47,69,75	4700950106	45		
4700904703	39,41	4700950107	45		
4700904727	55	4700999027	69		
4700904735	57				
4700904755	75,77				
4700904766	65				
4700904846	69				
4700904870	85				
4700904878	35				
4700904983	47				
4700908229	81,85				
4700921028	55				
4700923270	33				
4700923680	35				
4700923735	35				
4700923962	35				
4700923976	69,75				
4700924986	35				
4700925519	39,41				
4700926215	27,41				
4700926537	79				
4700927233	79				
4700927568	45				
4700928381	33				
4700928830	59				
4700929191	27				
4700935429	61				
4700935613	59				
4700935614	59				
4700939693	35				
4700940374	79				
4700940380	9,11,45				
4700940381	9,11,45				
4700940382	45				
4700940438	45				
4700940444	9,11,47				
4700940462	9,11,45				
4700940463	5,7				
4700940464	5,9				
4700940465	5,11				
4700940671	13,17				
4700940929	79				
4700940930	79				
4700945136	9,11,45				
4700945340	57				

