

OPERATING

CA30

SERIES 2

VIBRATORY ROLLERS 2

Valid from Serial No. 577 001
 Diesel engine: Deutz F6L 912,
 Caterpillar D3208 NA, GM (Detroit) 3-53T

CONTENTS		Page	Page
Safety recommendations	2	Stopping the roller	6
Before starting the engine	3	Parking	7
Starting the engine	3	Lifting instructions	7
Driving/vibrating	5	Operating the roller after it has been lifted	7
Braking	6		

Fig. 1a Instrument panel

1	Compaction meter*	18	Horn
2	Frequency meter*	19	-
3	Speedometer*	20	Starter switch
4	Forward/reverse lever	21	Brake warning lamp
5	Vibration, ON/OFF	22	-
6	-	23	Oil pressure warning lamp (diesel)
7	Amplitude selector	24	Voltmeter
8	-	25	Fuel gauge
9	-	26	Temperature gauge - hydraulic oil
10	-	27	Temperature gauge - coolant (CAT and GM)
11	Throttle	28	-
12	Stop control (Deutz and GM)	29	Air cleaner warning lamp
13	-	30	Tachometer/operating hour meter
14	Working lights*	31	Foot brake
15	-	32	Handbrake
16	-	33	Gear lever
17	-		

* Accessories

KP-tryck 84.10 1200

DYNAPAC
 Heavy Equipment Division

PO Box 504 • S-371 23 KARLSKRONA • SWEDEN
 Tel. 0455-229 30 • Telex 43041 dynkar
 Telecopier 0455-295 39

We reserve the right to change specifications without notice

0-10202-3 Eng





SAFETY PRECAUTIONS READ CAREFULLY



1. READ AND UNDERSTAND OPERATOR'S MANUAL BEFORE START UP.
2. OBSERVE AND FOLLOW ALL MAINTENANCE AND SERVICE INSTRUCTIONS.
3. DO NOT OPERATE ROLLER UNLESS QUALIFIED BY TRAINING OR EXPERIENCE.
4. DO NOT OPERATE ROLLER IF IN NEED OF REPAIR OR ADJUSTMENT.
5. OBEY ALL SAFETY RULES.
6. VISUALLY INSPECT FOR GROUND HAZARDS.
7. TEST ALL CONTROLS, BRAKES AND STEERING BEFORE WORKING.
8. BEFORE START UP:
 - SET HANDBRAKE
 - PLACE FORWARD/REVERSE CONTROL IN NEUTRAL
 - BE FIRMLY AND SECURELY SEATED AT CONTROLS.
9. ON A GRADE, DO NOT SHIFT TRANSMISSION UNLESS ROLLER IS FULLY STOPPED WITH EMERGENCY BRAKE ON.
10. USE CAUTION ON UNEVEN SURFACES AND ROUGH TERRAIN.
11. LOOK BOTH WAYS WHEN REVERSING.
12. NO RIDERS ALLOWED.
13. DO NOT GET ON OR OFF MOVING ROLLER; ALWAYS USE PROPER STEPS AND HAND GRIPS.
14. NEVER COAST OR FREE-WHEEL WITH ROLLER.
15. BEFORE LEAVING ROLLER, ADJUST AND SET PARKING BRAKE, ADJUST AND SET TRAVEL LEVER IN NEUTRAL, VIBRATION OFF, ENGINE OFF.
16. KEEP ROLLER CLEAN; AVOID DIRT AND GREASE ON OPERATOR PLATFORM.
17. KEEP ALL OPERATION PLATES AND DECALS CLEAN AND READABLE.
18. BLOCK ROLLS/TIRES AND FASTEN STEERING LOCK WHEN SERVICING OR REPAIRING ROLLER.
19. EXERCISE CAUTION WHEN FUELING MACHINE:
 - SHUT DOWN ENGINE
 - NO SMOKING
 - GROUND FILLER AGAINST TANK NECK TO AVOID A SPARK.
20. DO NOT MODIFY THIS ROLLER IN ANY WAY WHICH WILL AFFECT SAFETY WITHOUT DYNAPAC WRITTEN APPROVAL.

BEFORE STARTING

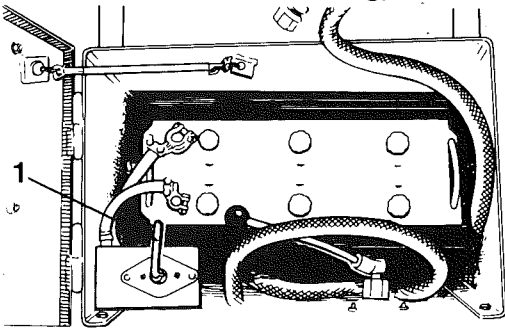


Fig. 2 Battery box

1 Battery master switch

- 1 Ensure that the daily maintenance has been carried out (see the maintenance instructions).
- 2 Check that the battery master switch (1) is in the ON position. Check also that the engine air intake is not obstructed.
- 3 Apply the handbrake by pulling up the lever upwards.
- 4 Check that a gear is engaged (see sticker).
- 5 Adjust the driver's seat so that the controls are easily accessible.

STARTING THE ENGINE

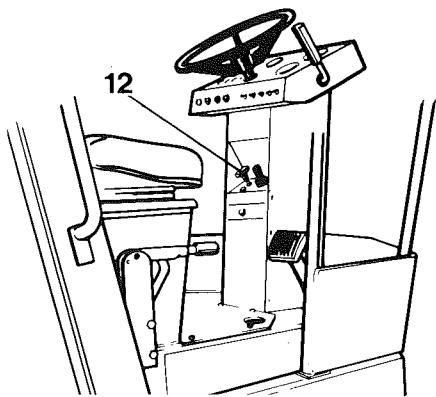


Fig. 3 Operator's platform

12 Stop control (Deutz and GM)

- 1 Ensure the stop control (12) has been pressed in fully (applies only to Deutz and GM).

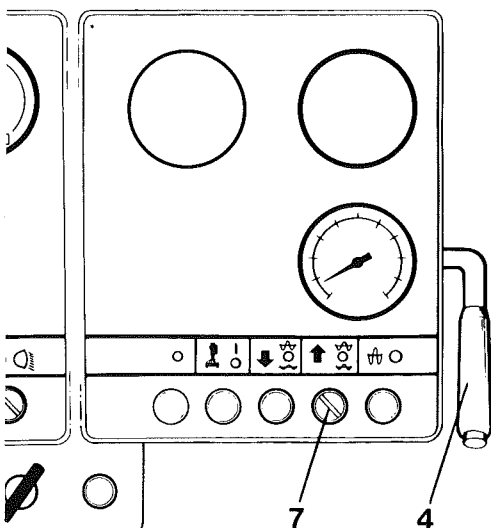


Fig. 4 Instrument panel

4 Forward/reverse lever
7 Amplitude selector

- 2 Set the forward/reverse lever (4) to the neutral position. The engine cannot be started with the lever in any other position.
- 3 Set the amplitude selector (7) to NEUTRAL. See sticker.

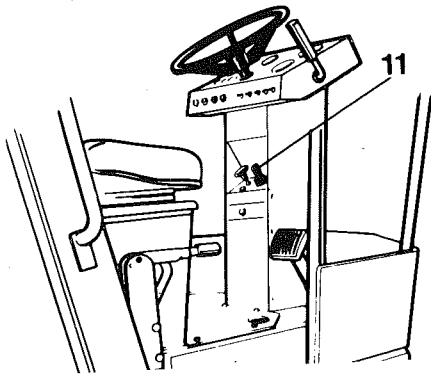


Fig. 5 Operator's platform

11 Throttle

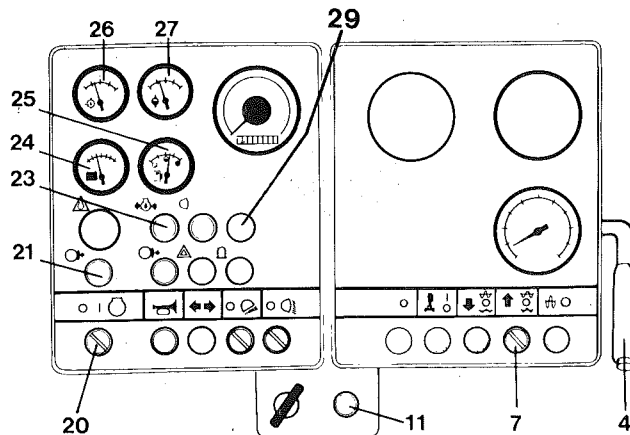


Fig. 6 Instrument panel

- | | |
|------------------------------|---|
| 4 Forward/reverse lever | 26 Temperature gauge - hydraulic oil |
| 7 Amplitude selector | 27 Temperature gauge - coolant (CAT and GM) |
| 20 Starter switch | 29 Air cleaner warning lamp |
| 21 Brake warning lamp | |
| 23 Oil pressure warning lamp | |
| 24 Voltmeter | |
| 25 Fuel gauge | |

- 5 Turn the starter switch (20) to "I". Check that the fuel gauge (25) and the voltmeter (24) indicate readings, and the warning lamps for the oil pressure (23), the brake (21) and the air cleaner (29) light up. If the horn should sound, set the forward/reverse lever (4) to NEUTRAL to silence it.
- 6 Turn the starter switch (20) further until it reaches the START position. As soon as the engine has started, release the starter switch, which will return to the "I" position.

N.B. If the engine does not start, pause briefly before attempting to start it again.

At temperatures below -12°C (10°F), a small quantity of starter gas may be sprayed into the air cleaner before attempting to start the engine.

- 7 Warm up the engine for 5-10 min, depending on the air temperature. When warming up the engine, check that the voltmeter (24) indicates 12 V and that the warning lamp (23) has gone out. If the air cleaner warning lamp lights up when the engine is running, the air cleaner must be cleaned or replaced - see the Maintenance Instr.

Max hydr oil temp (26):
 approx 85°C (185°F)
 Max coolant temp (27):
 approx 100°C (210°F)

After warming up the engine, check that the hydraulic oil temperature gauge (26) and the coolant temperature gauge (27) (does not apply to Deutz) indicate readings.

DRIVING

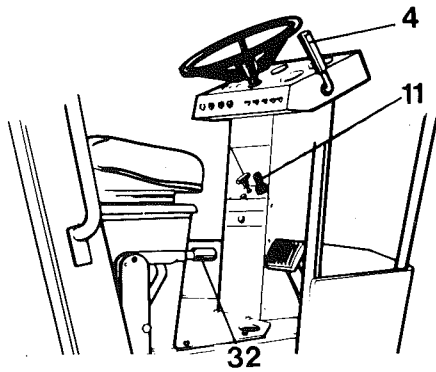


Fig. 7 Operator's platform

- 4 Forward/reverse lever
- 11 Throttle
- 32 Handbrake

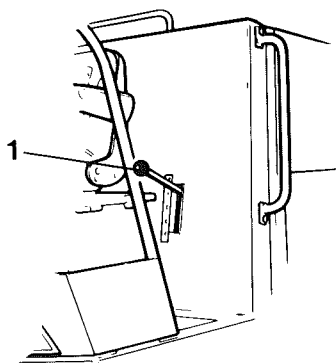


Fig. 8 Operator's platform

- 1 Gear lever
- 26 27

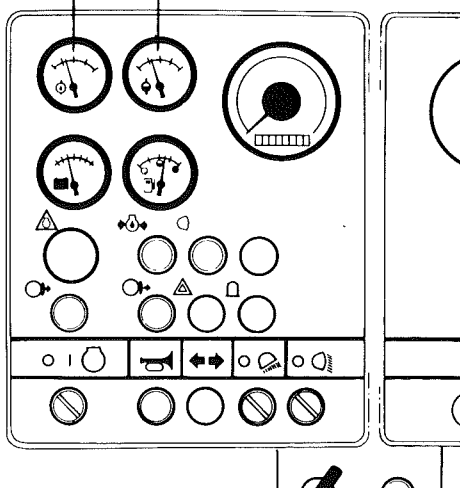


Fig 9 Instrument panel

- 26 Temperature gauge
- hydraulic oil
- 27 Temperature gauge
- coolant (CAT
and GM)

- 1 Move the throttle (11) until the engine speed is 2400 r/min. Carry out fine adjustment by moving the control:


Anticlockwise to increase speed. Clockwise to reduce speed.

- 2 Ensure the steering performs correctly by turning the steering wheel once to the left and once to the right, with the roller stationary.
- 3 Set the gear lever (1), fig 8, to the desired position (see the sticker).

SPEEDS: The values in brackets apply to CA 30D and CA 30PD.

- Pos. 1: working position, max. 6 km/h (6 km/h)
- Pos. 2: transport pos., max. 12 km/h (9 km/h)
- Pos. 3: transport pos., max. 23 km/h (12 km/h).

(Keep maximum speed when the forward/reverse lever, 4 in Fig. 7, is at full throttle.)

 POSITION 3 MUST ONLY BE USED FOR TRAVELLING ON SMOOTH GROUND.

- 4 Release the handbrake (32 in Fig. 7), by moving the lever forward and down. The handbrake warning lamp should then go out.
- 5 First check that the road is clear both in front of and behind the roller. Move the forward/reverse lever (4 in Fig. 7), gently forward or backwards - depending on the desired direction of travel.

N.B. Always adjust the speed with the forward/reverse lever, not with the engine speed.

- 6 Check the condition of the brakes in accordance with the instructions under the heading "Maintenance". Carry out the check as often as required to ensure that the brakes are in good working order.
- 7 When driving, check that the instruments indicate normal readings and that the warning lamps do not light up.

Max. hydr. oil temp. (26) approx. 85°C (185°F)
Max. coolant temp. (27) approx. 100°C (210°F)

Vibrating/driving

Setting - high/low amplitude

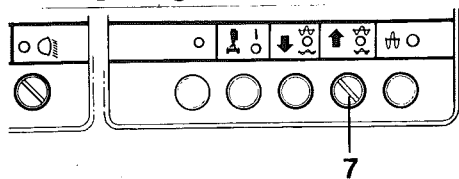


Fig. 10 Instrument panel

7 Amplitude selector

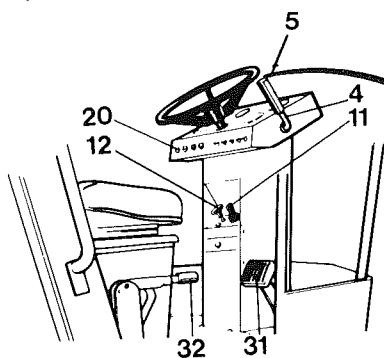


Fig. 11 Operator's platform

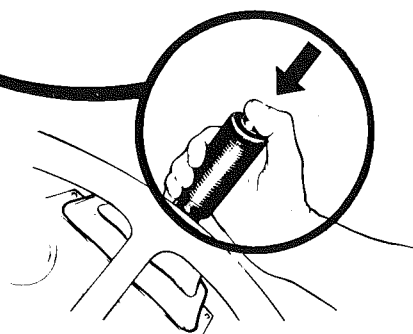
- 4 Forward/reverse lever
- 5 Vibration, ON/OFF
- 11 Throttle
- 12 Stop control GM/DEUTZ
- 20 Starter switch
- 31 Foot brake
- 32 Handbrake

Do not engage vibrations when the roller is stationary.

Use the switch (7) to select high/low amplitude.

N.B. Avoid to move the amplitude selector switch (7) when vibration is engaged. Switch off vibration and wait a few seconds before throwing the switch.

- 1 Engage vibrations using the vibration switch (5) when the roller is in motion.



- 2 Vibrations should be switched off when changing the direction of travel of the roller.

BRAKING

Brake for normal operation

(See fig 11). The roller is normally braked using the forward/reverse lever (4). The hydrostatic transmission slows down the roller when the lever is in NEUTRAL.

Foot brake

(See fig 11). For emergency situations, the roller is equipped with a foot brake (31), which acts on the rear wheel drum brakes.


STOPPING THE ROLLER

(See fig. 11).

N.B. The GM engine must run for 5 minutes at idling speed, to lubricate the turbocharger, before stopping it.

- 1 Use the switch (5) to switch off the vibration.
- 2 Stop the roller by moving the forward/reverse lever (4) to NEUTRAL.
- 3 Press in the throttle (11) until the engine idles at 800-1000 r/min and let it run at this speed for a few minutes.
- 4 Turn the starter knob (20) to the "0" position and pull out the stop control (12) (Deutz & GM models).
- 5 Apply the handbrake (32).

PARKING

 NEVER LEAVE THE ROLLER WHEN THE ENGINE IS RUNNING.

Park the roller off the road.

If the roller is parked on sloping ground, block the drum with a stone or suchlike.

LIFTING INSTRUCTIONS

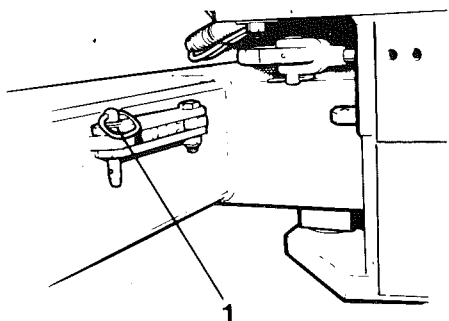


Fig. 12 Articulated joint/locking device

Before lifting the roller, lock the articulated joint, to prevent rotation about it. Swing out the arm and lock it as shown in Fig. 13.

Fit the lifting chains into the lifting lugs and ensure that no parts will be crushed by the chains when lifting (fig. 14).

 WIRE ROPES, CHAINS, ETC. MUST BE DESIGNED IN ACCORDANCE WITH RELEVANT REGULATIONS.

1 Position when driving

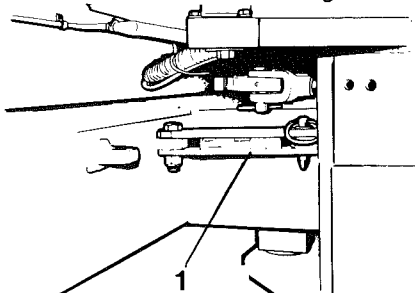

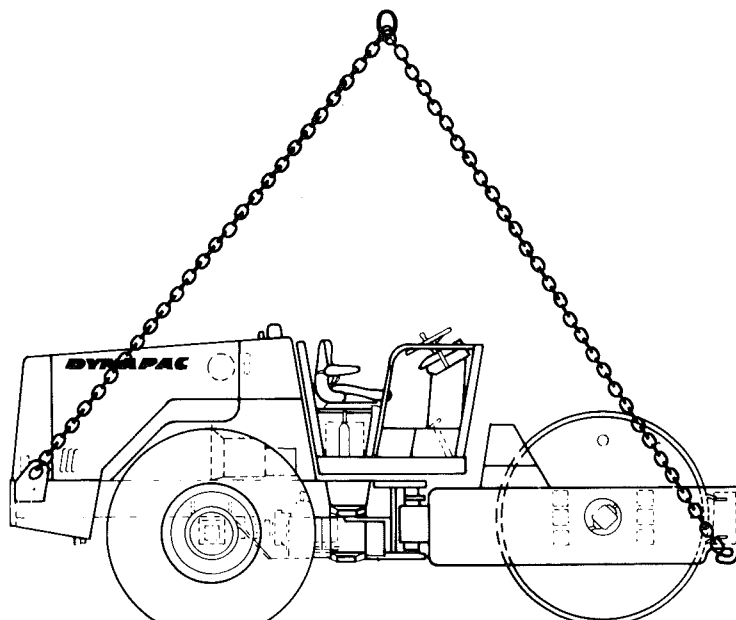


Fig. 13 Articulated joint/locking device

1 Position when lifting

 DO NOT WALK UNDER A SUSPENDED LOAD. ENSURE THAT THE HOOKS OF THE LIFTING TACKLE ARE FITTED SECURELY IN THEIR POSITIONS.

Weight 11 500 kg



OPERATING THE ROLLER AFTER IT HAS BEEN LIFTED

Do not forget to restore the locking device to its original position before starting the engine. See Fig. 12.