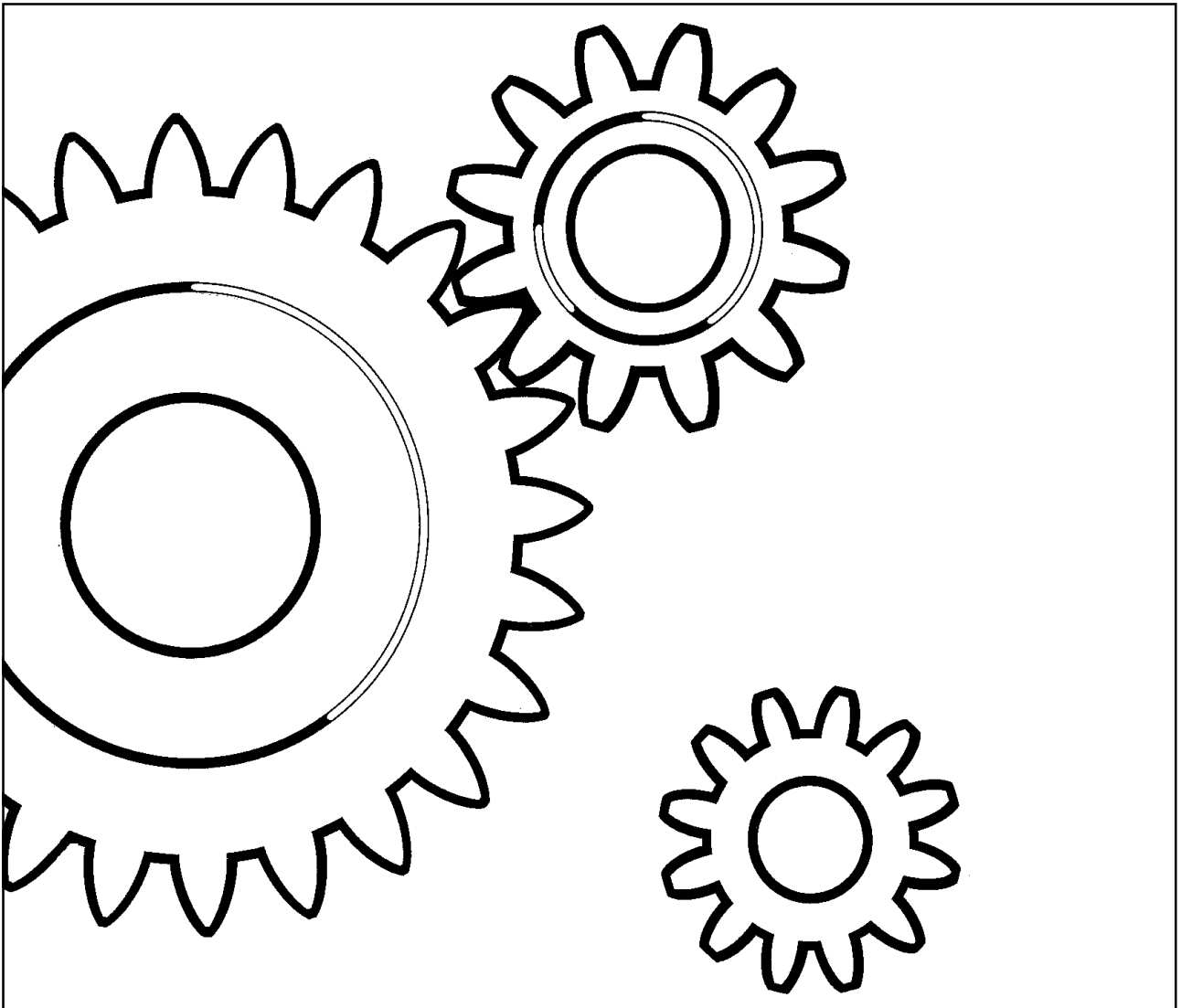


DYNAPAC
CA144D
SPARE PARTS
CATALOGUE
SCA144D-US1EN1



DYNAPAC

Box 504, SE-371 23 Karlskrona, Sweden
Phone: +46 455 30 60 00, Fax: +46 455 30 60 10
www.dynapac.com

Vibratory Roller CA144D

Spare Parts Catalogue SCA144D-US1EN1

Valid from roller serial number:

**8327US5000*-*

Diesel engines:

John Deere 530TF270

Published catalogue issues valid for these rollers:

<i>Catalogue</i>	<i>Issue date</i>	<i>Valid for serial numbers</i>
<i>SCA144D-US1EN1</i>	<i>2007-07</i>	<i>*8327US5000*-</i>



RESERVDLSBESTÄLLNING

Följande uppgifter ska lämnas vid beställning av reservdelar för att undvika leveransfel:

1. Maskintyp.
2. Vältensserienummer.
3. Antal av önskad reservdel.
4. Reserdelens artikelnummer.
5. Reservdelens benämning.
6. Måttuppgifter vid beställning av metervara.

ERSATZTEILBESTELLUNG

Zur Vermeidung von Fehllieferungen sind bei der Bestellung von Ersatzteilen folgende Angaben zu machen:

1. Maschinentyp.
2. Herstellungsnummer.
3. Bestellmenge. (Quantity)
4. Ersatzteilnummer. (Part N°)
5. Ersatzteilbenennung. (Denomination)
6. Massangaben bei Bestellung von Meterware.

PEDIDO DE RECAMBIOS

Para evitar errores en las entregas, deberán indicarse los siguientes datos al hacer un pedido de recambios:

1. Tipo de máquina.
2. Número de serie.
3. Cantidad de piezas deseadas. (Quantity)
4. Número de artículo de la pieza de recambio. (Part N°)
5. Denominación de la pieza. (Denomination)
6. Indíquese la medida al solicitar un artículo que se expide por metros.

ORDERING SPARE PARTS

To avoid errors in delivery, please give the following information when ordering spare parts:

1. Type of machine.
2. Roller serial number.
3. Quantity required.
4. Part number.
5. Parts denomination.
6. Dimensions when ordering per length.

ORDINI DI RICAMBI

Per evitare errori nelle consegne di ricambi, Vi preghiamo di comunicarci le seguenti informazioni al momento dell'ordinazione:

1. Tipo di macchina.
2. Numero di serie della macchina.
3. Quantità dei pezzi desiderati. (Quantity)
4. Numero di codice del pezzo. (Part N°)
5. Descrizione del pezzo di ricambio. (Denomination)
6. Misura, in caso di ordine per metro.

COMMANDE DE PIÈCES DE RECHANGE

Les indications suivantes doivent être fournies lors de la commande de pièces de rechange, afin d'éviter toute erreur de livraison:

1. Type de machine.
2. Numéro de série.
3. Quantité désirée de pièce de rechange. (Quantity)
4. Numéro de la pièce de rechange. (Part N°)
5. Dénomination de la pièce de rechange. (Denomination)
6. Longueur en cas de commande au mètre.

YOUR AGENT/DEALER:

DYNAPAC

Text pages

The text pages is structured as the picture on the right.

1. This is the remarks for specific items and the descriptions of the remarks is at the bottom of the parts list.
2. Parts indicated by a dot and moved to the right are included when buying the assembled unit above.
3. Spare parts and service code for a specific part, mainly for internal use at Dynapac. "A" = Service part, "B" = Fast moving part, "C" = Suggested exchanged part and "D" = Regular spare part.

DYNAPAC				Metso Dynapac AB	
Cooling system					
Ref. No.	Part No.	Rem.	Qty	Description	Code
1	223047		1	Water cooler	③ C
2	935852		1	Radiator cap	D
3	935851	①	1	Cock	
4	373263	A	1	Radiator hose	D
5	313009		6	Clamp	
6	205058	B	1XL	Rubber clotch	
7	373261	C	1	Radiator hose	D
8			1	Oil cooler	D
9	223289		1	Plate	
10	902166	D	1XL	Edge trim	
11	223287	E	1	Holder	
12	223288	F	1	Holder	
13	908168		1	Fan guard	
14	908170		1	Fan shroud	
15	908171		2	Mounting bar	
16	908169		1	Fan guard	
17	500021		14	Screw	
18	902286		14	Nut	
19	600006		14	Washer	
20	313102		2	Cable strap	

A) Upper
 B) L=060MM
 C) Lower
 D) L=2280MM
 E) Left
 F) Right

Changes

PARTS INFO	SERVICE INFO	GROUP	PAGE	NOTES

Notes

PÄRMETIKETT

För att undvika fel vid reservdelsbeställning finns här nedan två etiketter som passar i fickorna på pärmarnas ryggar. På dessa kan man se från vilket vältnummer av aktuell maskin reservdelskatalogen gäller. Gör så här:

1. Tag denna sida ur pärmen.
2. Klipp ut etiketten till **VÄNSTER** (1) och sätt in den i fickan på **DENNA** pärmens rygg.
3. Finns det en etikett till **HÖGER** (2), kan denna användas på pärmen för **FÖREGÅENDE** utgåva av denna katalog.
4. Kasta detta papper.

KATALOG-BESCHRIFTUNG

Zur Vermeidung von Fehlern bei der Ersatzteilbestellung benutzen Sie bitte die unteren Beschriftungen, um die Kataloge auf der Rückseite zu kennzeichnen. Auf der Beschriftung ist angegeben, für welche Maschinennummern der jeweilige Katalog gültig ist. Ablauf:

1. Nehmen Sie dieses Blatt aus dem Katalog.
2. Schneiden Sie die **LINKE** Beschriftung (1) aus. Schieben Sie die Beschriftung in die tasche auf **DEM** Katalogrücke.
3. Sollte die Beschriftung unten **RECHTS** (2) mitgeliefert werden, kennzeichnen Sie damit bitte die **ÄLTERE** Ausführung dieses Kataloges.
4. Den Rest dieses Blattes bitte vernichten.

ETIQUETA PARA LA CARPETA

Para evitar errores al pedir repuestos utilicen las etiquetas abajo descritas para identificar los catálogos en la parte trasera de la carpeta. En la etiqueta se ven los números de referencia de la serie para la cual es válido el catálogo. Instrucciones:

1. Quitar esta página de la carpeta.
2. Corta la etiqueta **IZQUIERDA** (1) y ponerla en la parte trasera de la carpeta.
3. Si hay una etiqueta en la parte **DERECHA** (2) se puede utilizar en la carpeta para el catálogo que **PRECEDE** a esta.
4. Tirar esta hoja.

BINDER LABEL

To avoid errors when ordering spare parts use the labels below to identify the catalogues on the back of the binder. The label contain the serial number range for which the catalogue is valid. Do like this:

1. Remove this page from the binder.
2. Cut out the **LEFT** label (1) and put it on **THIS** binders back.
3. If there is a label to the **RIGHT** (2), it can be used on the binder for **PRECEDING** issue of this catalogue.
4. Throw away this paper.

ETICHETTAPOSTA SUL RACCOGLITORE

Per evitare errori quando ordinate pezzi di ricambio, usate le etichette in calce che servono ad identificare i cataloghi sul retro del raccoglitore. L'etichetta indica il numero di matricola delle macchine prese in considerazione nel catalogo.

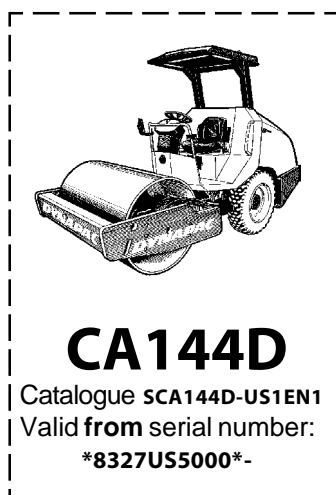
1. Rimuovete questa pagina dal raccoglitore.
2. Ritagliate l'etichetta posta a **SINISTRA** (1) e ponetela sul retro **DEL** raccoglitore.
3. Se trovate anche un'etichetta sulla **DESTRA** (2), ritagliatela e ponetela sul raccoglitore relativo alla **PRECEDENTE** edizione del catalogo.
4. Distruggete questo foglio.

ETIQUETAGE DU CATALOGUE

Afin d'éviter des erreurs lors de commandes de pièces de rechange, nous vous conseillons d'apposer les marquages ci-dessous à l'arrière du classeur, pour identifier les catalogues. Ce marquage indique les numéros de série pour lesquels le catalogue est adapté. Il convient de procéder de la façon suivante:

1. Retirez cette page du classeur.
2. Découpez l'étiquette de **GAUCHE** (1), et apposez-la à l'arrière de **CE** catalogue.
3. Si il y a une étiquette à **DROITE** (2), vous pourrez l'apposer sur le classeur de l'édition **PRECEDENTE** du catalogue.
4. Détruire cette feuille.

1.



CA144D SN 8327US5000 -	2
Frame	4
Frames and scrapers	6
Structure	8
Drum	10
Drum	12
Engine	14
Engine John Deere 5030TF270	16
Cooling system	18
Combustion air system	20
Fuel system	22
Exhaust system	24
Transmission	26
Rear axle and wheels	28
Hydraulic system	30
Propulsion system	32
Vibration system	34
Steering system	36
Brake system	38
Electrical equipment	40
Electric system	42
Control panel	44
Drivers platform	46
Drivers platform	48
Forward and reverse control	52
Forward and reverse control handle	54
Throttle control	56
Rops and fops	58
Decals	60
Standard equipment	62
Standard equipment	64
Optional equipment	66

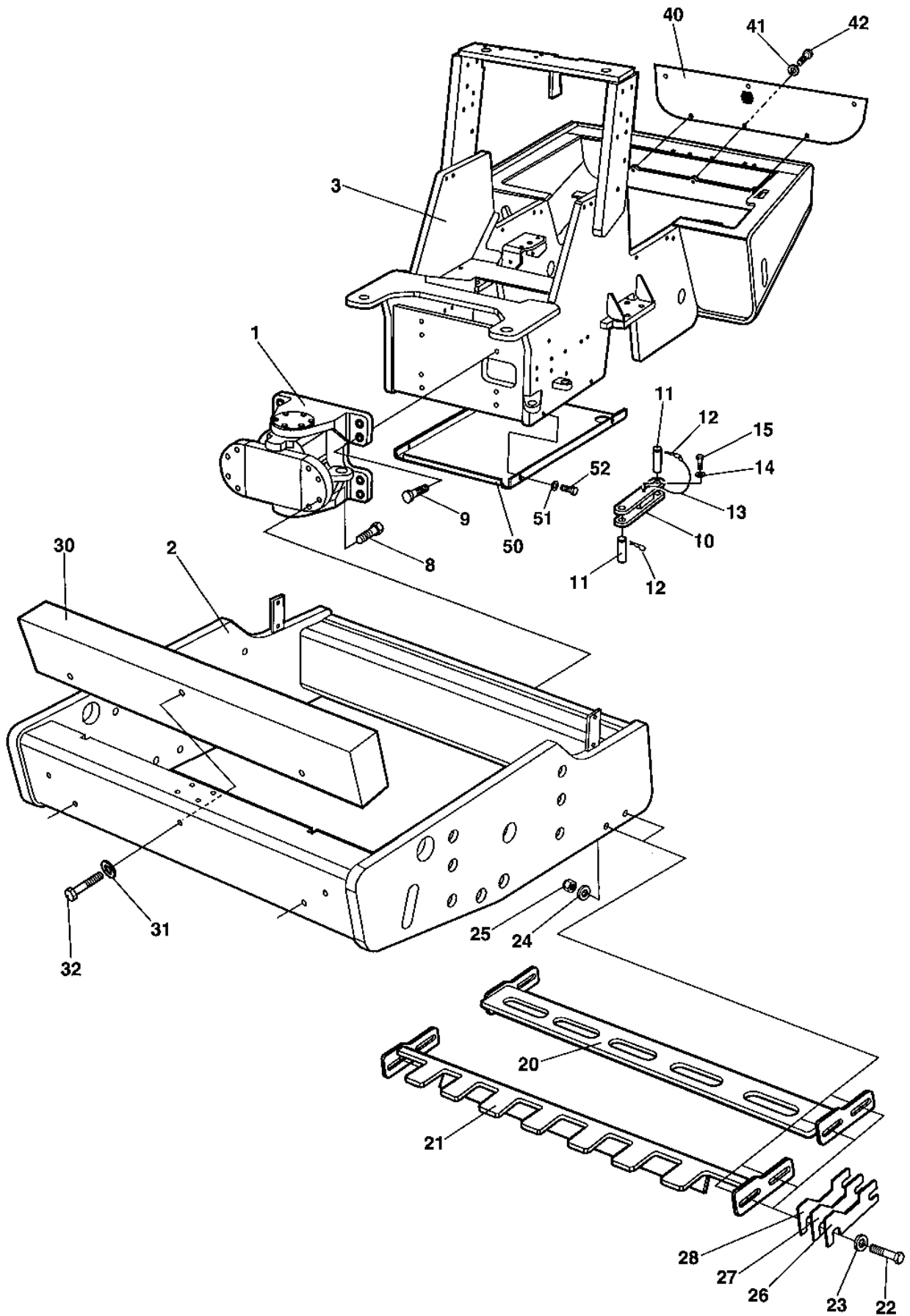


Ref. No.	Part No.	Rem.	Qty	Description	Code
10				Frame (Page 4)	
20				Drum (Page 10)	
30				Engine (Page 14)	
40				Transmission (Page 26)	
50				Hydraulic system (Page 30)	
60				Electrical equipment (Page 40)	
70				Drivers platform (Page 46)	
80				Decals (Page 60)	
90				Standard equipment (Page 62)	
91				Optional equipment (Page 66)	

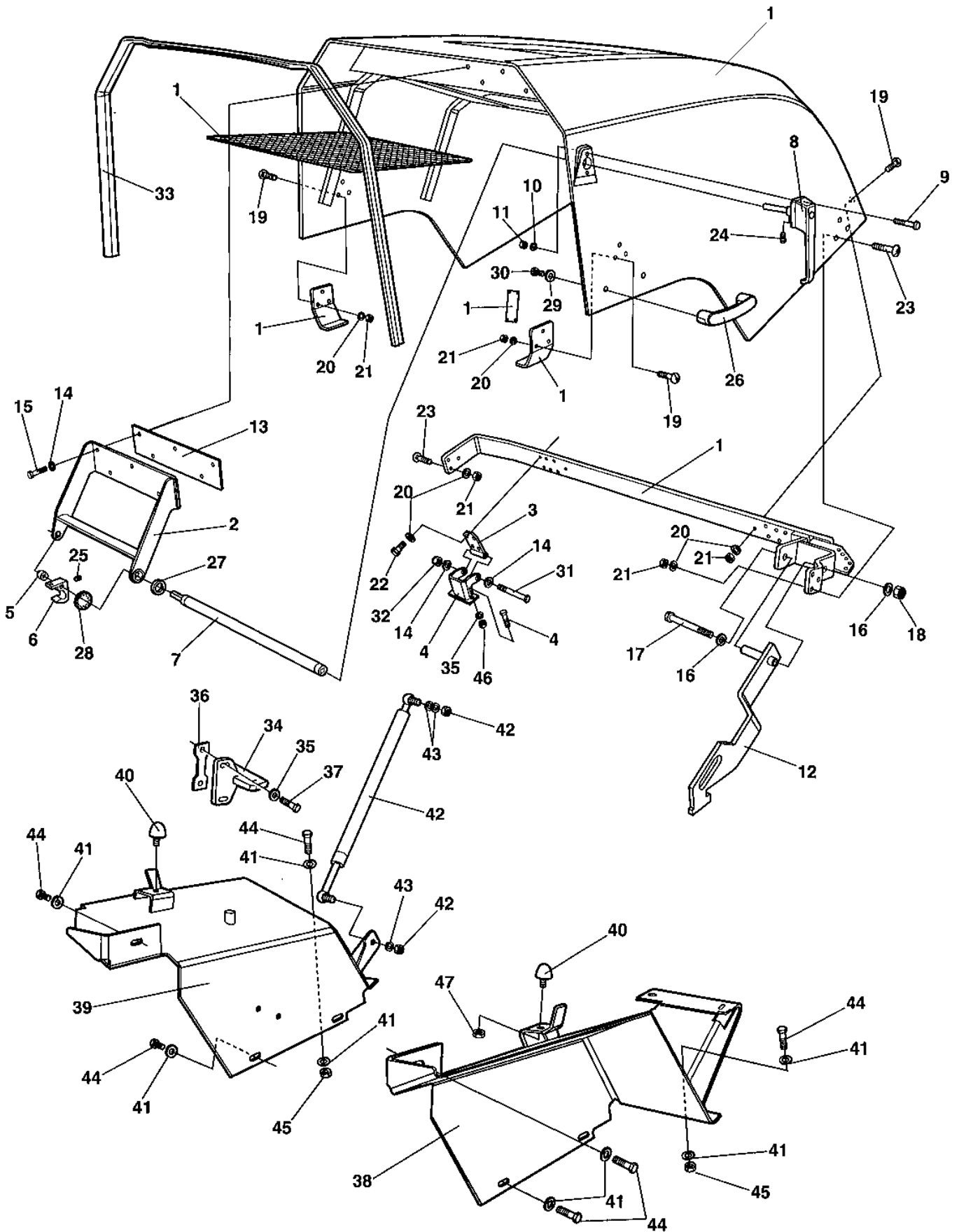
Frame

Ref. No.	Part No.	Rem.	Qty	Description	Code
10				Frames and scrapers (Page 6)	
20				Structure (Page 8)	

18333



Ref. No.	Part No.	Rem.	Qty	Description	Code
1	377782		1	Steering hitch	
2	390420		1	Drum frame	
3	378125		1	Tractor frame	
8	500082		8	Screw	M16x70
9	500076		8	Screw	M16x55
10	374744		1	Safety rod	
11	379169		2	Locking pin	
12	635061		2	Hair clip	
13	343775		1	Wire	
14	904230		1	Washer	10,5x22x2
15	500043		1	Screw	M10x16H 8,8
20	391265		1	Scraper	
21				Not used on this model	
22	500133		4	Screw	M12x70
23	904231		4	Washer	13x24x2
24	904703		4	Washer	13x24x4
25	586019		4	Lock nut	M12
26	378878		N	Shim	T=3MM
27	378879		N	Shim	T=2MM
28	378880		N	Shim	T=1MM
30				Not used on this model	
31				Not used on this model	
32				Not used on this model	
40	390425		1	Protection plate	
41	904228		6	Washer	6,4x12x1,5
42	500013		6	Screw	M6-1x16 8,8
50	379666		1	Air inlet plate	
51	904230		4	Washer	10,5x22x2
52	500048		4	Screw	M10-1,5x20 8.8



Structure

Ref. No.	Part No.	Rem.	Qty	Description	Code
1	390259		1	Hood Cpl.	
		C	NA	.Hood	
2	390269		1	.Holder	
3	387148		2	.Hinge	
4	387151		2	.Hinge	
5	382335		1	.Spacer sleeve	
6	382130		1	.Hook	
7	390270		1	.Shaft	
8	382165		1	.Locking handle	
9	535011		2	.Screw	
10	904281		2	.Washer	5,3x10x1
11	586001		2	.Lock nut	M5
12	390255		1	.Hood latch	
13	378433		1	.Holder plate	
14	904229		9	.Washer	8,4x16x1,5
15	500021		5	.Screw	M8-1,25x25 8.8
16	904231		2	.Washer	13x24x2
17	500267		1	.Screw	M12x120 8,8 FZB
18	586019		1	.Lock nut	M12
19	903923		12	.Bolt, cup square neck	M6x25H 4,6 FZB
20	904228		26	.Washer	6,4x12x1,5
21	570004		18	.Nut	M6
22	500012		8	.Screw	M6x12
23	903856		6	.Bolt	M06x30
24	516002		1	.Set screw	
25	516049		1	.Set screw	
26	387948		1	.Handle	
27	904574		1	.Bushing	
28	792257		1	.Washer	25x41,4 FZB
29	904640		2	.Washer	8,4x22x3
30	500019		2	.Screw	M8-1,25x16 8.8
31	500068		2	.Screw	M08x65
32	586003		2	.Lock nut	M8
33	792258	A	1XL	.Edge trim	
34	382131		1	Lock clamp	
35	904640		6	Washer	8,4x22x3
36	378959		1	Holder	
37	500047		2	Screw	M8-1,25x35 8,8
38	390298		1	Fender	Left
39	390299		1	Fender	Right
40	925629		2	Shock absorber	
41	904557		10	Washer	10,5x22x4
42	390475	B	1	Gas spring	
43	904230		3	Washer	10,5x22x2
44	500030		8	Screw	M10-1,5x35H 8,8
45	570006		2	Nut	M10
46	570005		4	Nut	M8
47	573008		2	Nut	M8

A) L=2,150M

B) 200N

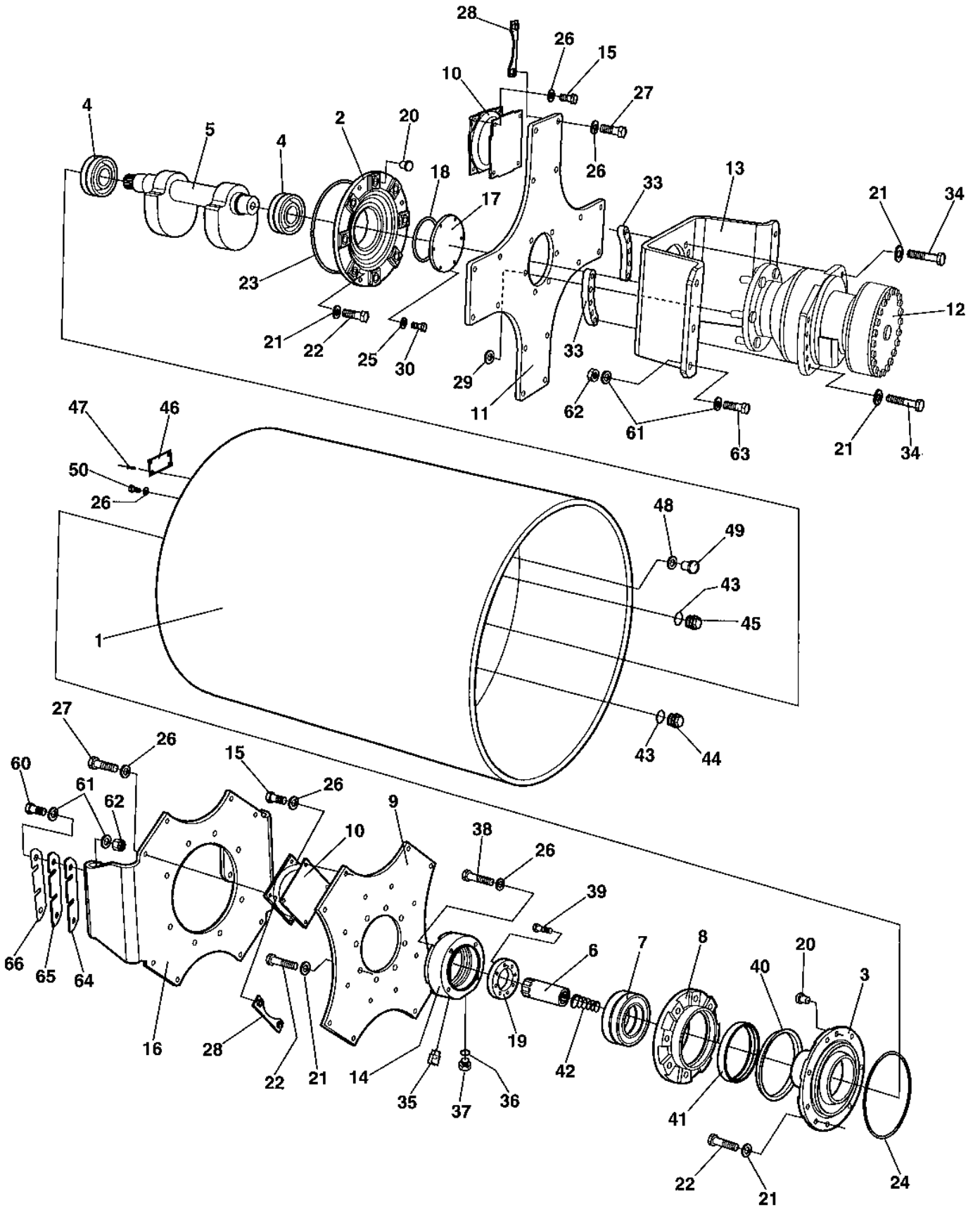
C) Not available as Spare part.

Drum

Ref. No.	Part No.	Rem.	Qty	Description	Code
10				Drum (Page 12)	

Drum

18334

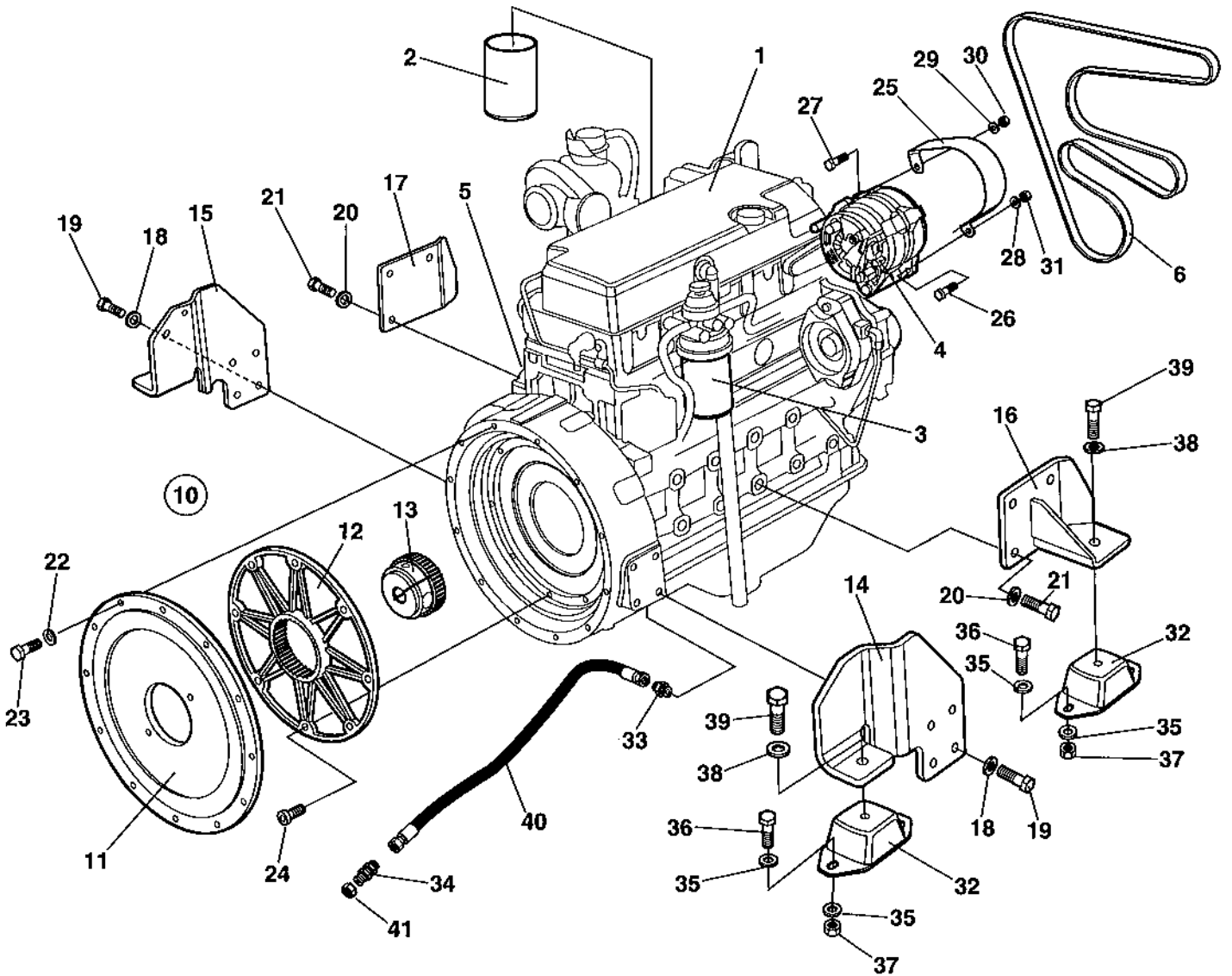


Drum

Ref. No.	Part No.	Rem.	Qty	Description	Code
1	390351		1	Drum	
2	374565		1	Bearing housing	
3	385133		1	Bearing housing	
4	114089		2	Spherical roller bearing	D
5	390357		1	Eccentric shaft	
6	381027		1	Splined sleeve	
7	116041		1	Taper roller bearing	D
8	343318		1	Bearing housing	D
9	390522		1	Holder plate	
10	336742		8	Shock absorber	B
11	390523		1	Drive disc	
12		A	1	Propulsion motor	
13	378003		1	Holder	
14	384397		1	Connector	
15	500051		32	Screw	M12-1,75x25 8,8
16	390521		1	Holder plate	
17	821460		1	Bearing cover	
18	160040		1	O-ring	D
19	381028		1	Bearing cover	
20	900775		6	Plug	
21	904232		34	Washer	17x30x3
22	500070		24	Screw	M16x50
23	160344		1	O-ring 70	D
24	160093		1	O-ring	D
25	904230		6	Washer	10,5x22x2
26	904231		69	Washer	13x24x2
27	500037		32	Screw	M12-1,75x35 8,8
28	383436		16	Holder	
29	904793		6	Washer	19x34x3
30	500028		6	Screw	M10-1,5x25 8,8
33	378488		2	Mounting plate	
34	500076		10	Screw	M16x55
35	926736		1	Breather	M14
36	162018		1	Sealing	D
37	370231		1	Plug	
38	500133		4	Screw	M12x70
39	791933		8	Screw	M8x40
40	929447		1	V-ring	D
41	386272		1	Sealing	D
42	349715		1	Spring	
43	162017		2	Seal ring	M30
44	232210		1	Plug	
45	343744		1	Magnetic plug	M30
46	343801		1	Sign plate	
47	527002		4	Drive screw	
48	162027		1	Sealing	M12
49	344196		1	Plug	M12
50	500163		1	Screw	M12x16
52	500046		2	Screw	M12x30H 8,8 FZB
60	500165		4	Screw	M16-2,0x75 8,8
61	904232		20	Washer	17x30x3
62	586021		10	Nut	M16
63	500058		6	Screw	M16-2,0x65 8,8
64	390549		N	Shim	T=5MM
65	390550		N	Shim	T=3MM
66	390551		N	Shim	T=1MM

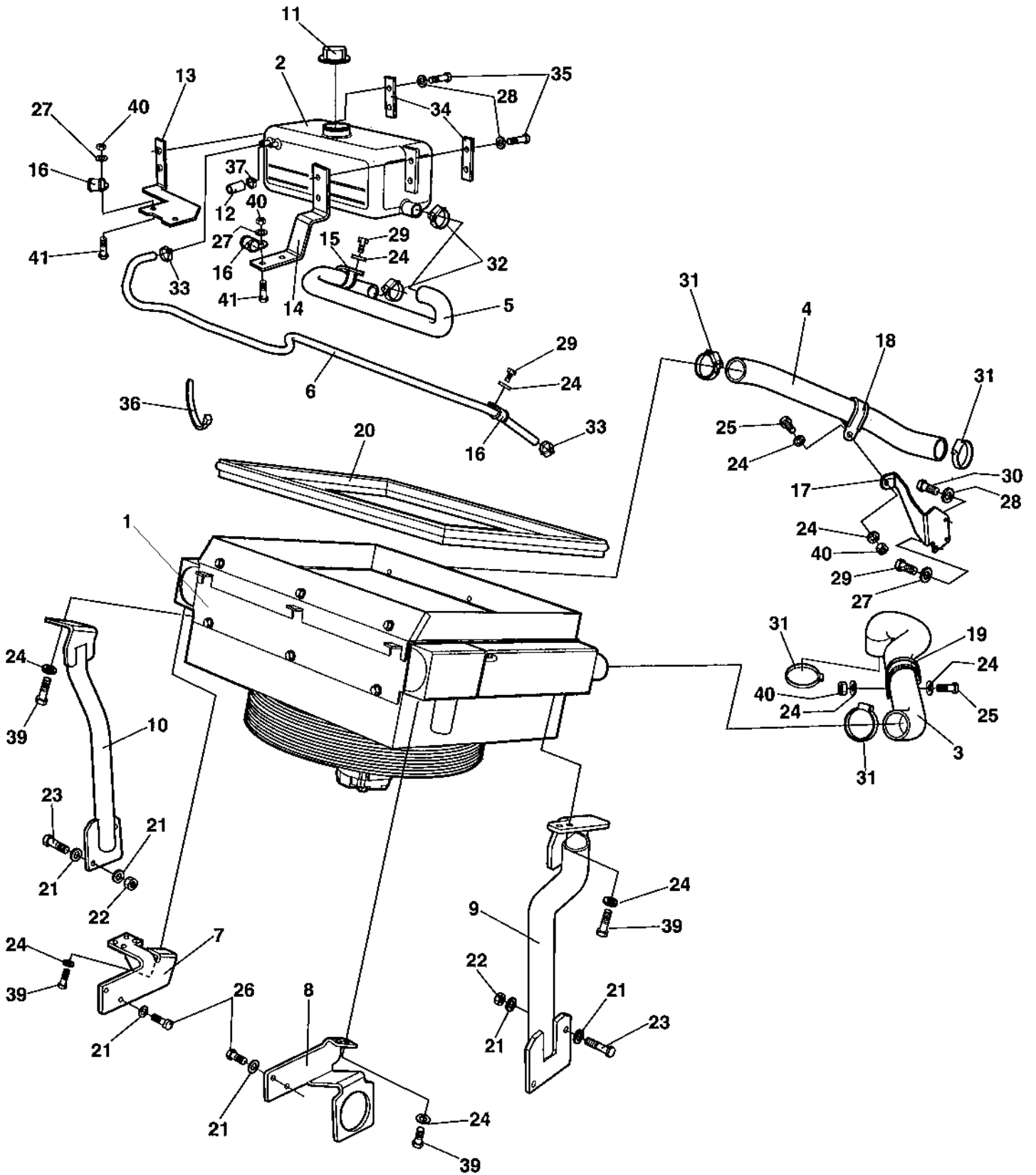
A) See section "Hydraulic propulsion".

Ref. No.	Part No.	Rem.	Qty	Description	Code
10				Engine John Deere 5030TF270 (Page 16)	
20				Cooling system (Page 18)	
30				Combustion air system (Page 20)	
40				Fuel system (Page 22)	
50				Exhaust system (Page 24)	



Engine John Deere 5030TF270

Ref. No.	Part No.	Rem.	Qty	Description	Code
1	378227		1	Engine	John Deere 5030TF270
2	940985		1	.Oil filter	A
3	940986		1	.Fuel filter	A
4	940987		1	.Alternator	C
5	940988		1	.Starter	C
6	940989		1	.V-belt	B
10	378409		1	Coupling cpl	
11	390592		1	.Engine plate	
12	390593		1	.Flange	
13	390594		1	.Hub	
14	378640		1	Engine bracket,	Front left
15	378641		1	Engine bracket,	Front right
16	378642		1	Engine bracket,	Rear left
17	378643		1	Engine bracket,	Rear right
18	904231		8	Washer	13x24x2
19	500037		8	Screw	M12-1,75x35 8,8
20	904232		6	Washer	17x30x3
21	500070		6	Screw	M16x50
22	904637		12	Washer	10x18x2
23	500029		12	Screw	M10-1,5x30 8.8
24	509012		8	Screw	
25	378664		1	Protection cover	
26	500022		1	Screw	M8-1,25x30 8,8
27	500075		1	Screw	M6-1,0x25 8.8
28	904229		1	Washer	8,4x16x1,5
29	904228		1	Washer	6,4x12x1,5
30	904563		1	Lock nut	M6
31	791182		1	Lock nut	M8
32	387129		4	Shock absorber	D
33	791634		1	Adapter	
34	791830		1	Bulkhead union	
35	904703		16	Washer	13x24x4
36	500194		8	Screw	M12x40H 8.8
37	586019		8	Lock nut	M12
38	904232		4	Washer	17x30x3
39	500070		4	Screw	M16x50
40	378622		1	Oil drain hose	
41	791820		1	Plug	

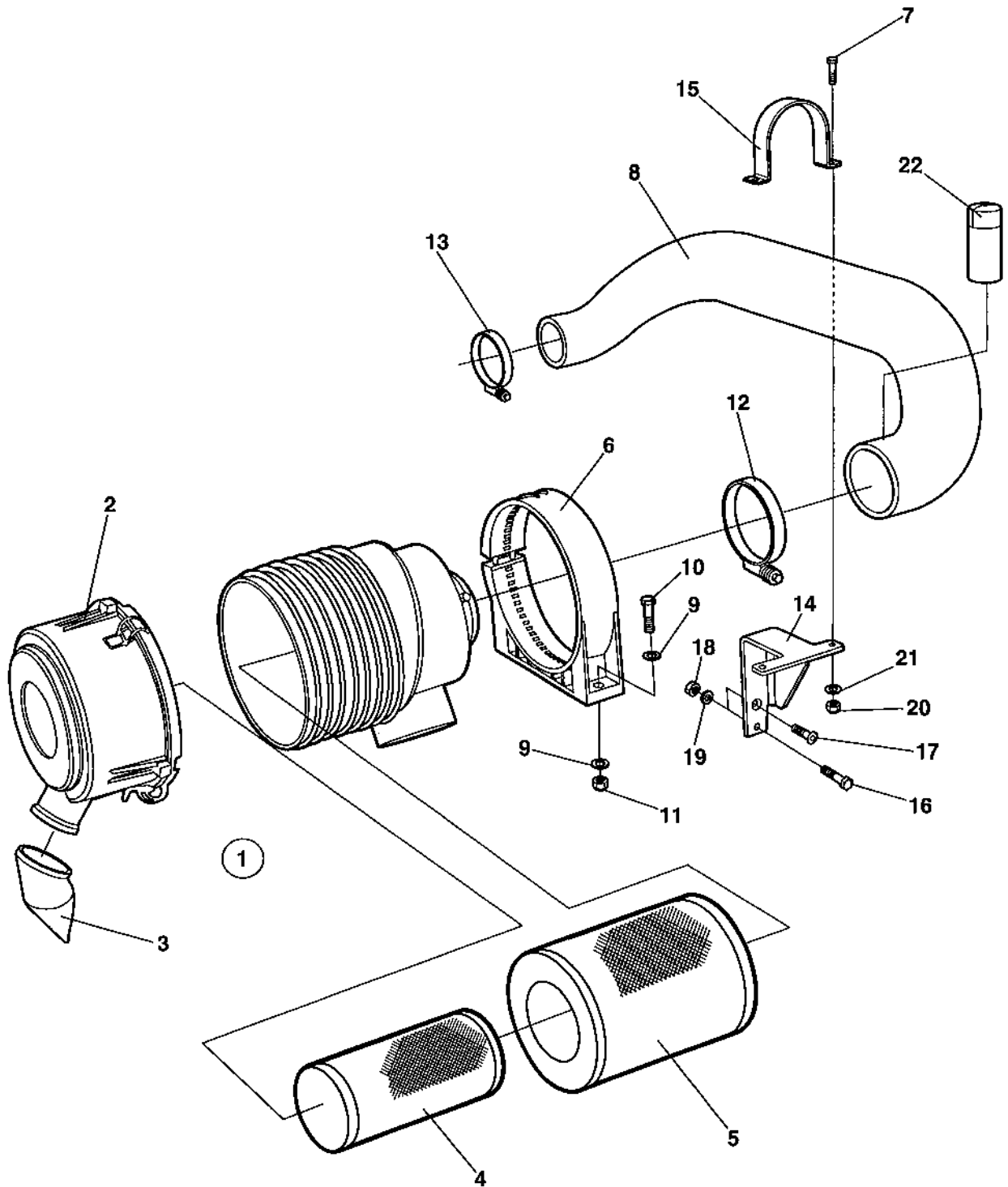


Cooling system

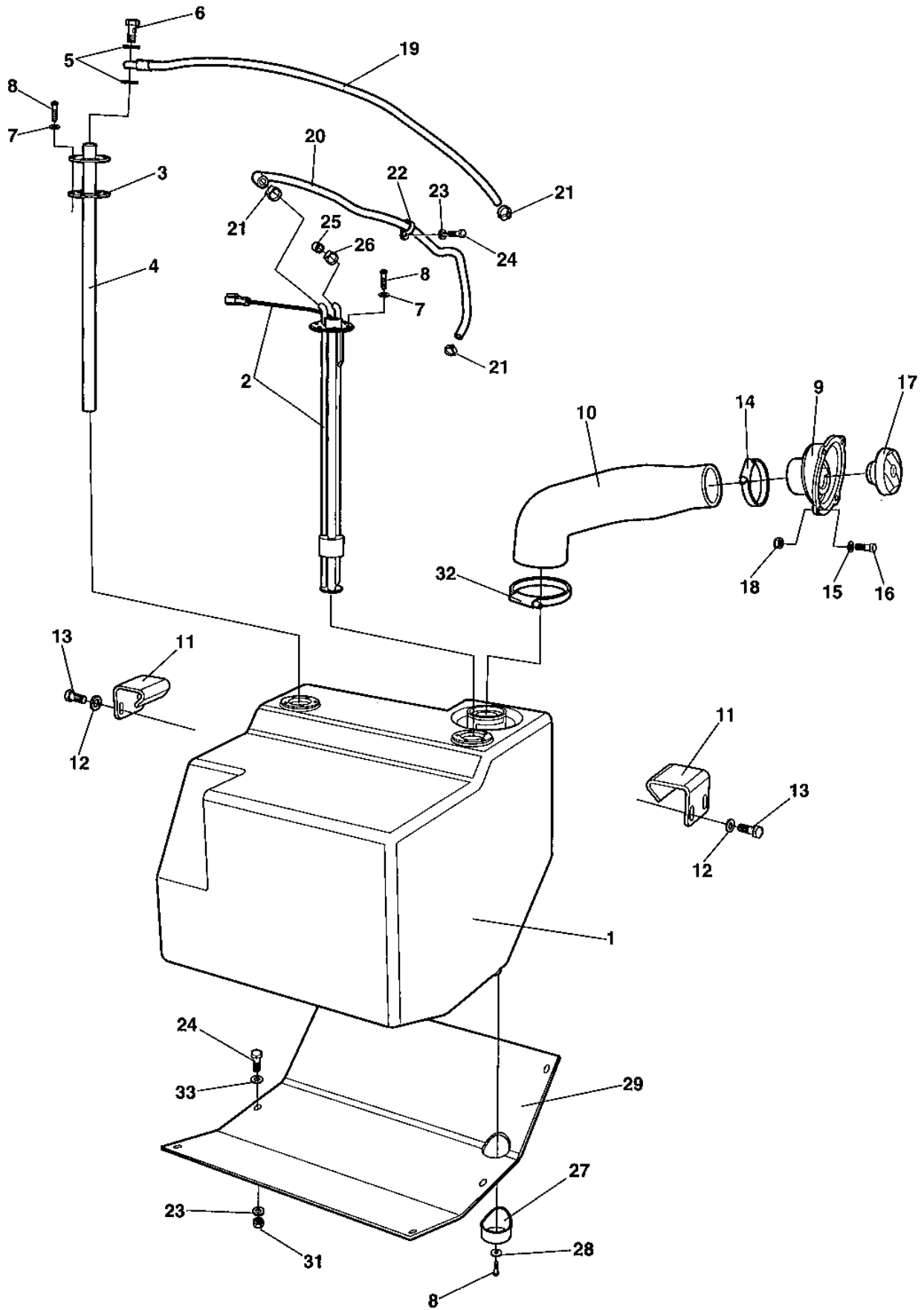
Ref. No.	Part No.	Rem.	Qty	Description	Code
1	390310		1	Radiator, cpl	
	945824	B	1	.Fan	
	945825		1	.Water and oil cooler	
2	387130		1	Expansion tank	
3	390252		1	Coolant hose	D
4	390251		1	Coolant hose	D
5	390250		1	Coolant hose	D
6	379601		1	Rubber hose	D
7	390390		1	Bracket, Right	
8	390391		1	Bracket, Left	
9	390392		1	Bracket, Left	
10	390393		1	Bracket, Right	
11	903713		1	Cap	D
12	791423		1	Protecting cover	
13	390244		1	Bracket	
14	390245		1	Bracket	
15	921050		1	Clamp	
16	921072		3	Clamp	
17	390383		1	Bracket	
18	904352		1	Clamp	32x8,4x20
19	903703		1	Clamp	
20	288129	A	1XL	Edge trim	
21	904230		12	Washer	10,5x22x2
22	570006		4	Nut	M10
23	500032		4	Screw	M10 x 55
24	904640		14	Washer	8,4x22x3
25	500020		2	Screw	M8-1,25x22 8,8
26	500028		4	Screw	M10-1,5x25 8,8
27	904229		6	Washer	8,4x16x1,5
28	904228		5	Washer	6,4x12x1,5
29	500019		4	Screw	M8-1,25x16 8.8
30	500013		1	Screw	M6-1x16 8,8
31	313010		4	Hose clamp	
32	313006		2	Hose clamp	
33	313075		2	Hose clamp	
34	381413		2	Washer	
35	500040		4	Screw	M6-1x20 8,8
36	925802	N		Cable ties	L=142 mm
37	313032		1	Clamp	
39	500021		8	Screw	M8-1,25x25 8.8
40	570005		6	Nut	M8
41	500023		4	Screw	M8-1,25x40 8,8

A) L=2200MM

B) Fan with 7 blades, replaces P/N 945823 Fan with 5 blades.



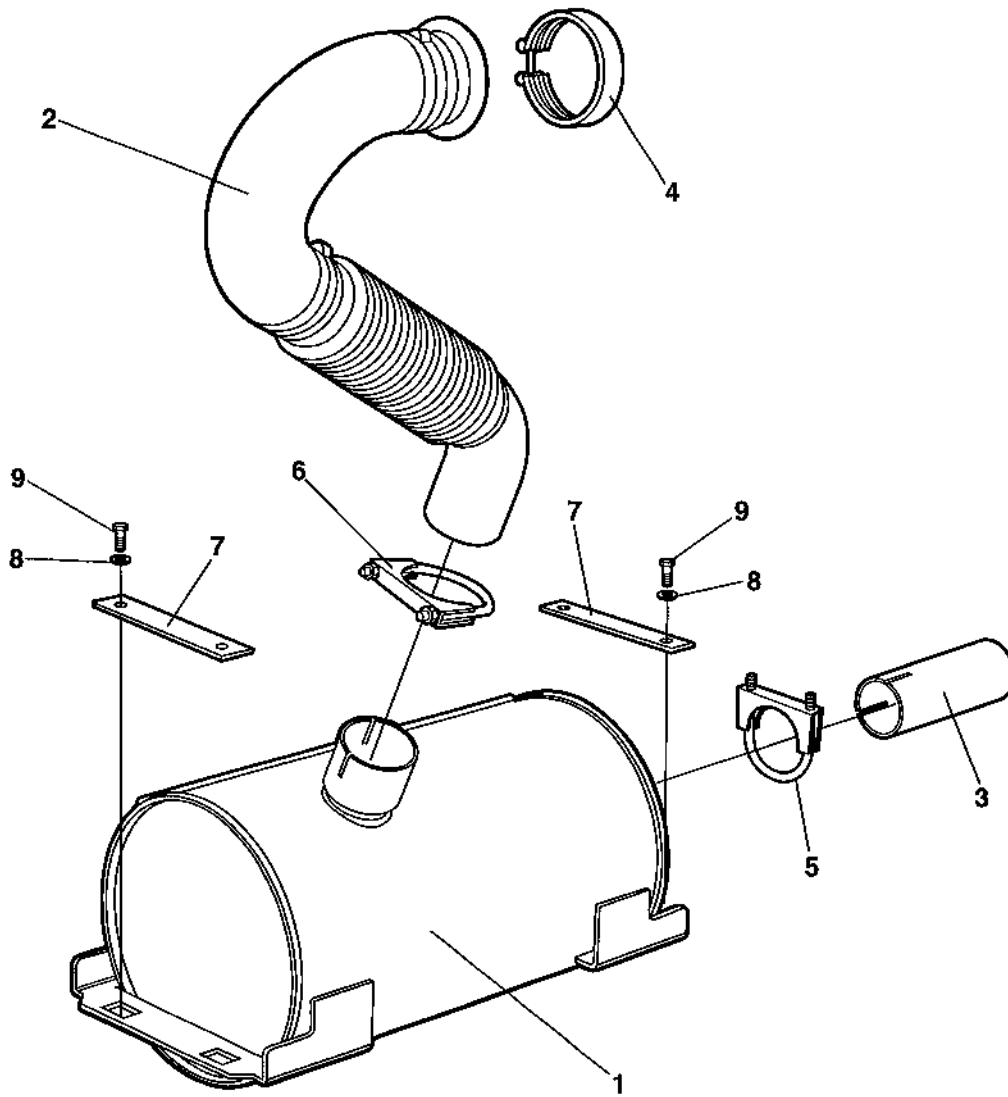
Ref. No.	Part No.	Rem.	Qty	Description	Code
1	378657		1	Air cleaner, cpl	
2	378733		1	.Cover	
3	378734		1	.Valve	D
4	378735		1	.Air filter element	Safety A
5	378736		1	.Air filter element	Main A
6	378658		1	Pipe clamp	
7	500015		2	Screw	M6-1x30 8,8
8	390381		1	Air intake hose	D
9	904640		4	Washer	8,4x22x3
10	500047		2	Screw	M8-1,25x35 8,8
11	586003		2	Lock nut	M8
12	378712		1	Clamp	
13	386966		1	Hose clamp	2.3/4"-3.5/8"
14	378925		1	Bracket	
15	378926		1	Bracket	
16	500024		1	Screw	M8x45
17	927637		1	Screw	M8x35
18	904229		2	Washer	8,4x16x1,5
19	570005		2	Nut	M8
20	570004		2	Nut	M6
21	904228		2	Washer	6,4x12x1,5
22	801981		1	Indicator	D



Fuel system

Ref. No.	Part No.	Rem.	Qty	Description	Code
1	378298		1	Fuel tank	
2	378574		1	Level sender	
3	378589		1	Gasket	
4	378588		1	Fuel pipe	
5	747282		2	Copper washer	14x20x1,5
6	330171		1	Hollow screw	
7	904698		10	Washer	4,3x8x0,8
8	903236		11	Screw, Thread rolling	K40x20
9	387682		1	Filler neck	
10	390389		1	Filling hose	
11	378585		2	Clamp	
12	904557		4	Washer	10,5x22x4
13	500029		4	Screw	M10-1,5x30 8.8
14	313023		1	Hose clamp	
15	904228		4	Washer	6,4x12x1,5
16	500075		4	Screw	M6-1,0x25 8.8
17	388557		1	Fuel cap	
18	586002		4	Lock nut	M6
19	380262		1	Fuel hose	
20	904984	A	1XL	Fuel hose	
21	313001		3	Hose clamp	11-17 mm
22	904346		1	Clamp	
23	904229		7	Washer	8,4x16x1,5
24	500021		7	Screw	M8-1,25x25 8.8
25	904137		1	Protection cap	
26	313032		1	Clamp	
27	378957		1	Cover	
28	927974		1	Washer	5x19x1
29	379464		1	Protection plate	
31	570005		6	Nut	M8
32	313038		1	Hose clamp	
33	904556		6	Washer	8,4x16x3,0

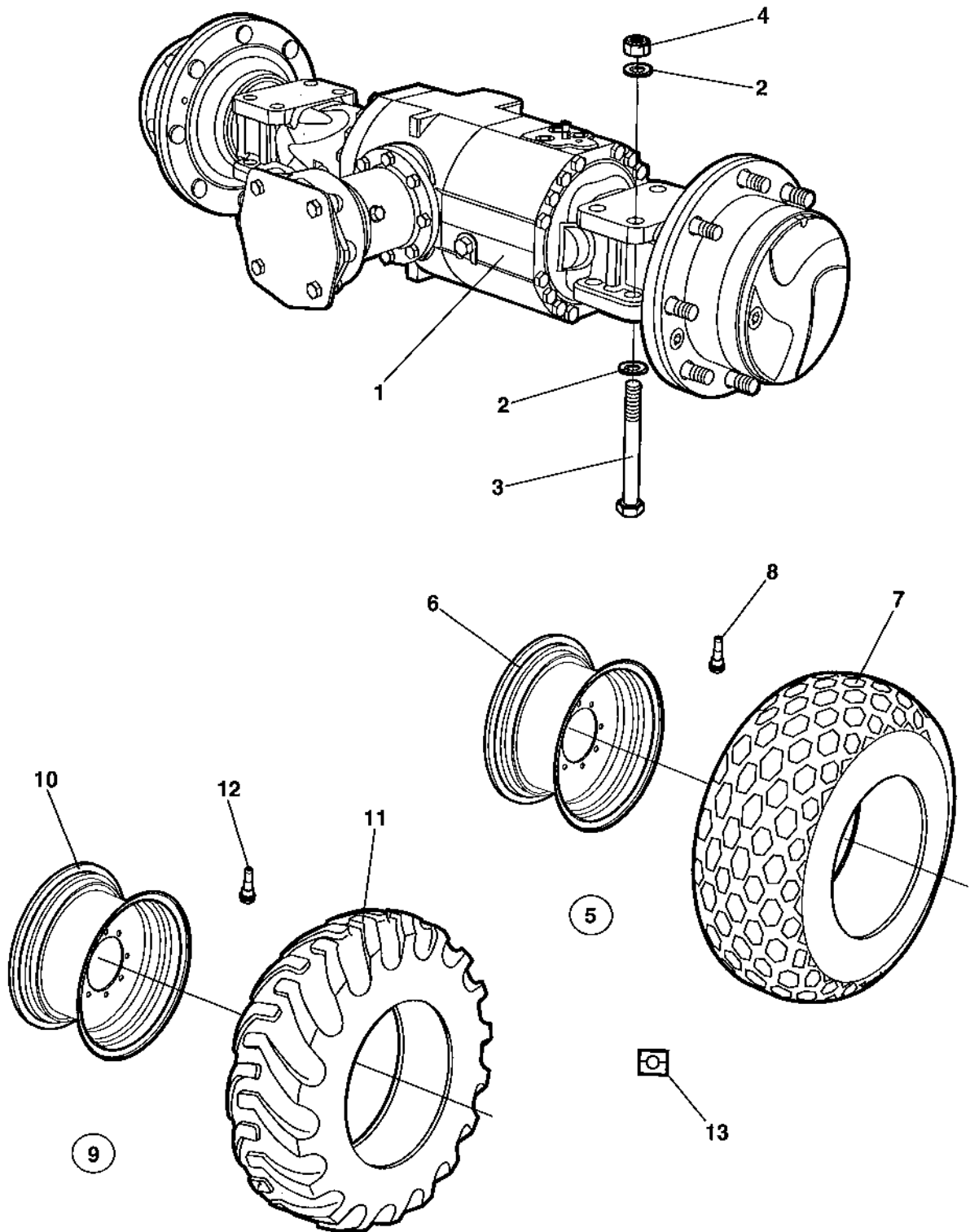
A) L=1000MM



Exhaust system

Ref. No.	Part No.	Rem.	Qty	Description	Code
1	390340		1	Muffler	
2	390341		1	Exhaust pipe	
3	378294		1	Exhaust pipe	
4	378644		1	V-band clamp	
5	313036		1	Clamp	D
6	814261		1	Clamp	
7	379184		2	Washer	
8	904229		4	Washer	8,4x16x1,5
9	500053		4	Screw	M8-1,25x20 8.8

Ref. No.	Part No.	Rem.	Qty	Description	Code
10				Rear axle and wheels (Page 28)	

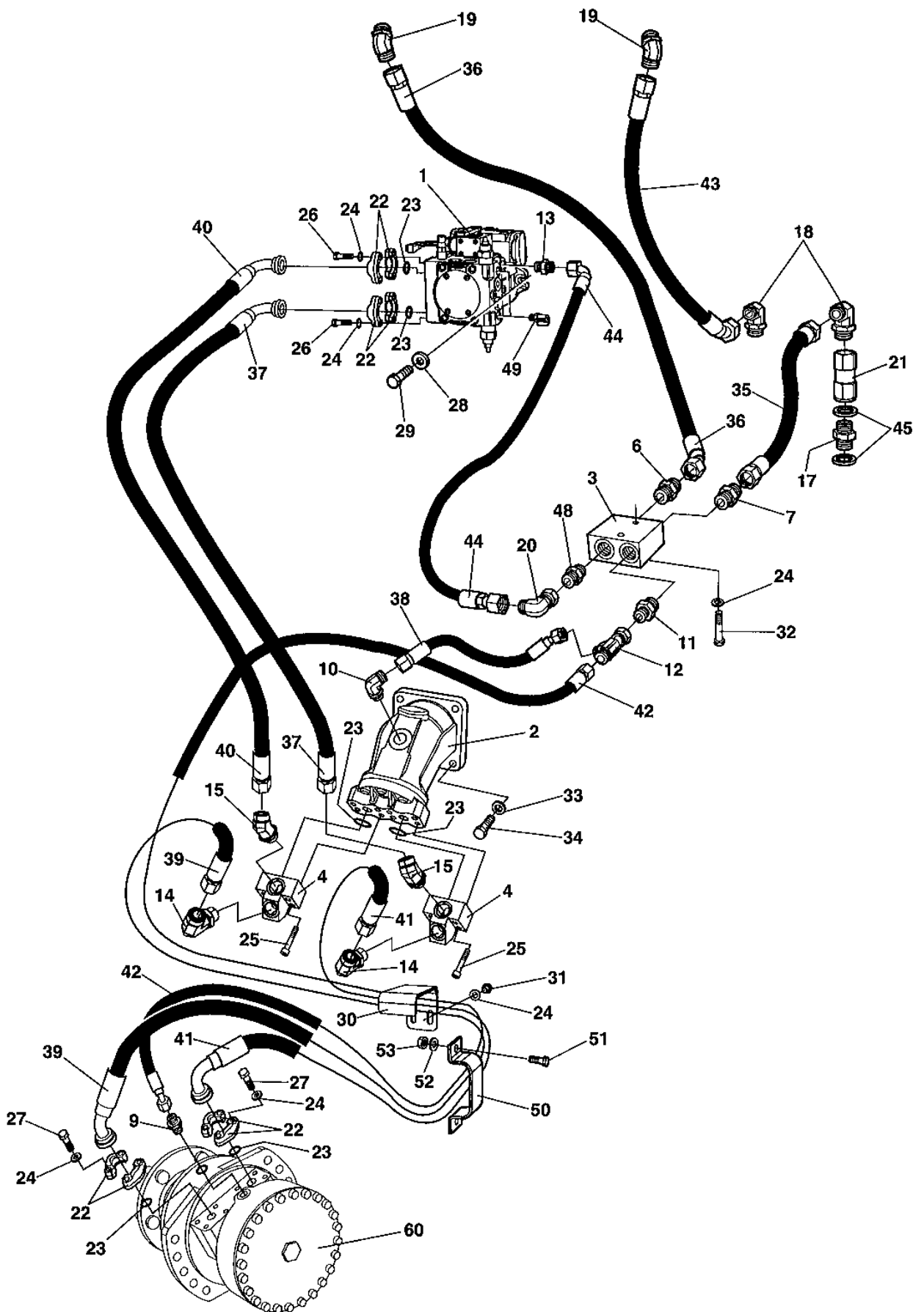


Ref. No.	Part No.	Rem.	Qty	Description	Code	
1	378165		1	Rear axle		
2	904233		16	Washer	21x36x3	
3	500226		8	Screw	M20-2.5x180 8,8	
4	901145		8	Lock nut	M20-10	
5	390662		1	All weather wheel Cpl.	Right	
	390663		1	All weather wheel Cpl.	Left	
	390666	A	1	All weather wheel Cpl.	Right	
	390667	A	1	All weather wheel Cpl.	Left	
6	390670		1	.Rim		
7	390671		1	.Tyre		
8	792261		1	.Air charging valve	Straight	B
9	390664		1	Tractor wheel, cpl	Right	
	390665		1	Tractor wheel, cpl	Left	
	390668	A	1	Tractor wheel, cpl	Right	
	390669	A	1	Tractor wheel, cpl	Left	
10	390670		1	.Rim		
11	390672		1	.Tyre		
12	792261		1	.Air charging valve	Straight	B
13	903985	B	1	Decal "SAFETY", "TYRE IN BALLAST"		

- A) Liquid filled, Option.
B) Used with Liquid filled wheels.

Hydraulic system

Ref. No.	Part No.	Rem.	Qty	Description	Code
10				Propulsion system (Page 32)	
20				Vibration system (Page 34)	
30				Steering system (Page 36)	
40				Brake system (Page 38)	

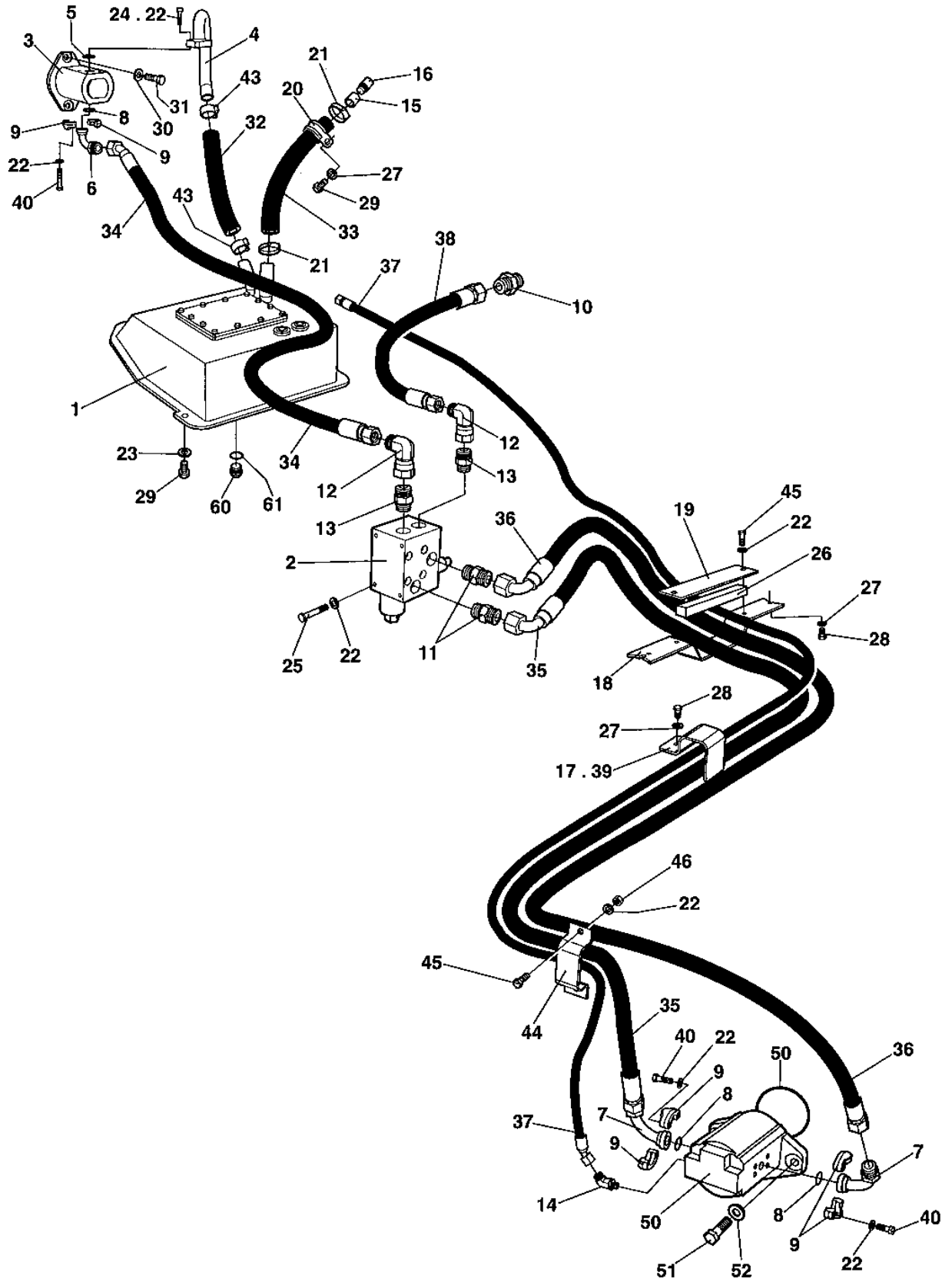


Propulsion system

Ref. No.	Part No.	Rem.	Qty	Description	Code
1	378164		1	Propulsion pump	
2	378166	A	1	Propulsion motor	
3	345243		1	Connection block	
4	392552		2	Hydraulic block	
6	791318		1	Straight connector	
7	791823		1	Straight connector orfs	
9	791799		1	Straight connector orfs	
10	791841		1	Elbow 90 orfs	
11	791850		1	Straight connector	
12	791798		1	T-connector	
13	904641		1	Connector	
14	791549		2	Elbow adapter 90	
15	792157		2	Elbow adapter 45	
17	792264		1	Straight connector	
18	791844		2	Elbow adapter 90	
19	791808		2	Elbow adapter 45	
20	904766		1	Elbow adapter 90	
21	374059		1	Check valve	
22	929226		8	Flange half	
23	904773		6	O-ring	
24	904637		20	Washer	10x18x2
25	509035		8	Screw	
26	500031		8	Screw	M10-1,5x40 8,8
27	500030		8	Screw	M10-1,5x35H 8,8
28	904703		2	Washer	13x24x4
29	500037		2	Screw	M12-1,75x35 8,8
30	391440		1	Bracket	
31	500043		2	Screw	M10x16H 8,8
32	500109		2	Screw	M10-1,5x65 8,8
33	904214		4	Washer	15x30x4
34	500116		4	Screw	M14x50
35	483825		1	Hydraulic hose	
36	483826		1	Hydraulic hose	
37	483944		1	Hydraulic hose	
38	483983		1	Hydraulic hose	
39	483946		1	Hydraulic hose	
40	483944		1	Hydraulic hose	
41	483947		1	Hydraulic hose	
42	483915		1	Hydraulic hose	
43	483842		1	Hydraulic hose	
44	483871		1	Hydraulic hose	
45	162008		2	Seal washer	
48	904570		1	Straight connector orfs	
49	901157		2	Measuring nipple	D
50	379057		1	Bracket	
51	500053		2	Screw	M8-1,25x20 8.8
52	904229		2	Washer	8,4x16x1,5
53	570005		2	Nut	M8
60	378143	B	1	Propulsion motor	

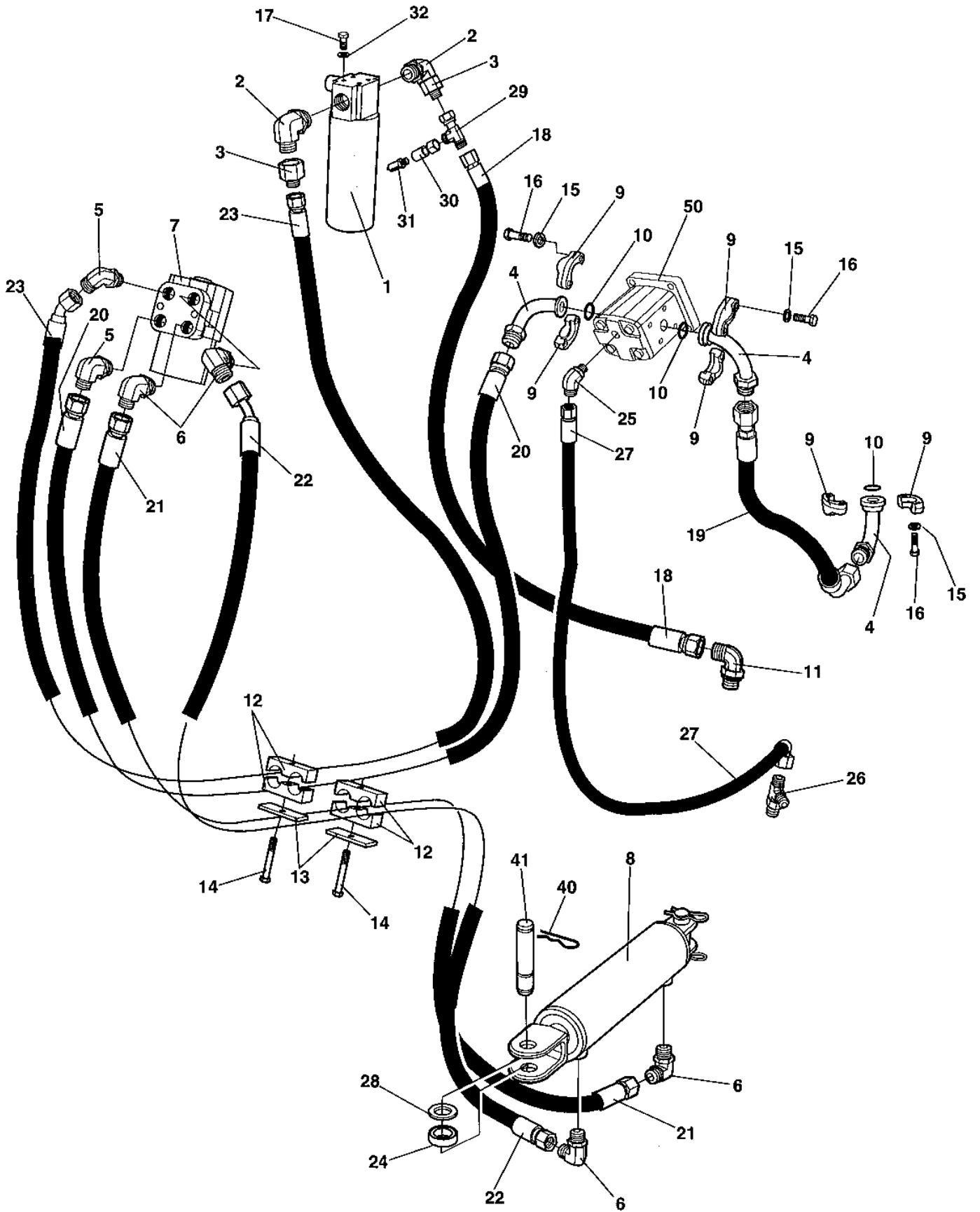
A) Rear axle

B) Drum



Vibration system

Ref. No.	Part No.	Rem.	Qty	Description	Code
1	378617		1	Hydraulic oil tank	
	922552		1	.Oil level glass	
2	378149		1	Vibration valve	
3	378155		1	Steering pump	
4	378445		1	Flange fitting	
5	813429		1	O-ring	
6	792199		1	Flange fitting	
7	792198		2	Flange fitting	
8	904774		3	O-ring	
9	232145		6	Split flange	
10	791823		1	Straight connector orfs	
11	791632		2	Straight connector orfs	
12	904584		2	Elbow connector 90	
13	791853		2	Straight connector orfs	
14	791836		1	Elbow adapter 45	
15	357139		1	Connector	
16	357138		1	Ventilating filter	A
17	378670		1	Hose clamp	
18	378668		1	Hose clamp	
19	378669		1	Hose clamp	
20	921022		1	Hose clamp	
21	313008		2	Hose clamp	D
22	904229		22	Washer	8,4x16x1,5
23	904557		2	Washer	10,5x22x4
24	508048		4	Screw	M08x030H 8.8
25	500024		2	Screw	M8x45
26	202043	A	1XL	Rubber strip	
27	904230		4	Washer	10,5x22x2
28	500043		3	Screw	M10x16H 8,8
29	500028		3	Screw	M10-1,5x25 8,8
30	904703		2	Washer	13x24x4
31	500197		2	Screw	12x90
32	792167		1	Hydraulic hose	
33	792168		1	Hydraulic hose	
34	483928		1	Hydraulic hose	
35	483839		1	Hydraulic hose	
36	483917		1	Hydraulic hose	
37	483918		1	Hydraulic hose	
38	483850		1	Hydraulic hose	
39	202043	B	1XL	Rubber strip	
40	500022		12	Screw	M8-1,25x30 8,8
43	902295		2	Clamp	
44	379057		1	Bracket	
45	500053		4	Screw	M8-1,25x20 8.8
46	570005		2	Nut	M8
50	378621		1	Hydraulic motor, vibration	
			1	O-ring	
51	500046		2	Screw	M12x30H 8,8 FZB
52	904231		2	Washer	13x24x2
60	232039		1	Plug	G3/4
61	791120		1	Sealing washer	G3/4
A)	L=0,220M				
B)	L=0,055M				

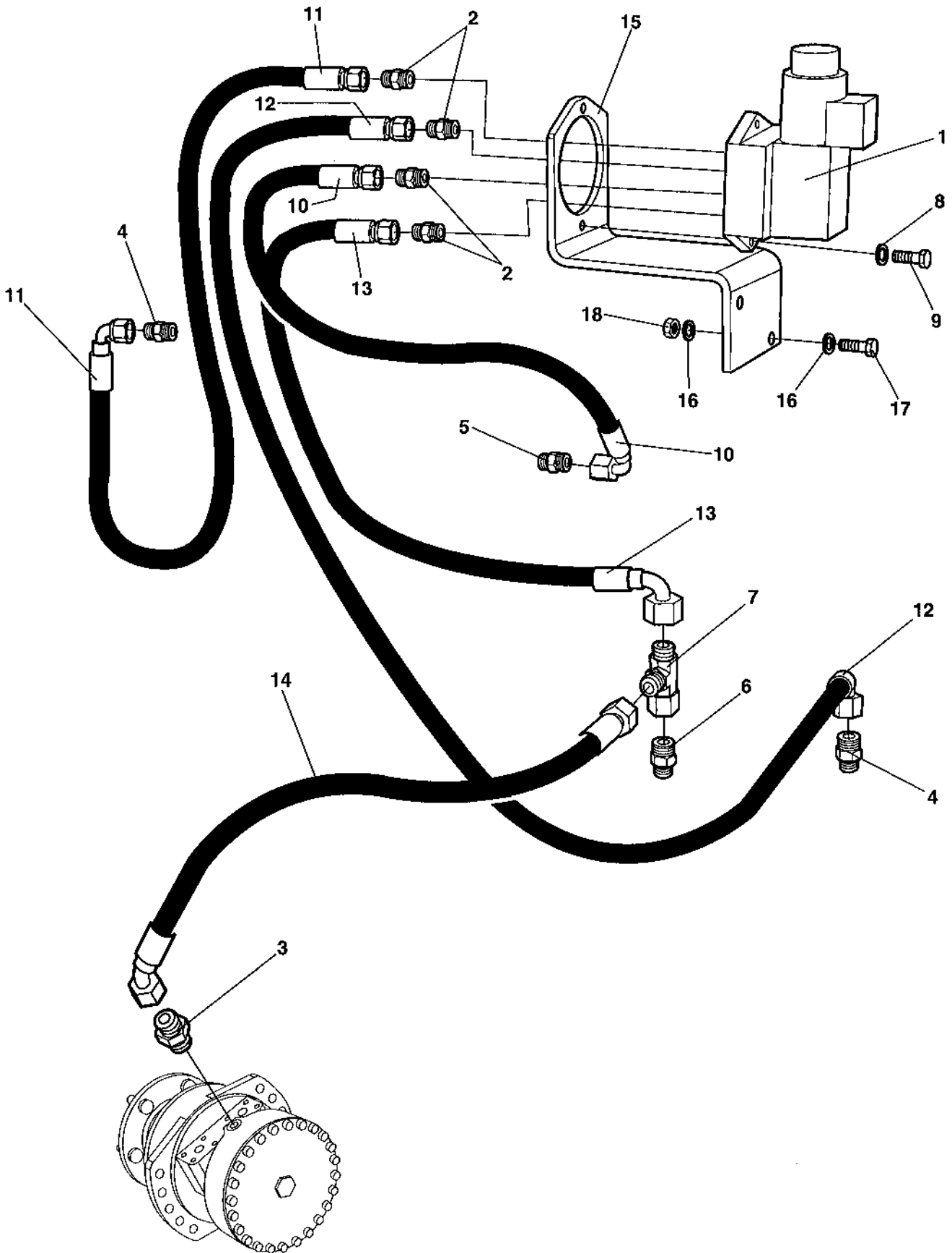


Steering system

Ref. No.	Part No.	Rem.	Qty	Description	Code
1	359550		1	Hydraulic oil filter, cpl	
	359551		1	.Filter head	
	359552		1	.Cleaning filter element	Maximum 50 hours use
	372229	A	1	.Hydraulic oil filter element	A
2	791321		2	Elbow adapter 90	
3	791791		2	Reducer	
4	792198		3	Flange fitting	
5	791841		2	Elbow 90 orfs	
6	791840		4	Elbow adapter 90, O-ring with swivel	
7	378153		1	Pilot valve	
8	378187		1	Steering cylinder	
9	232145		6	Split flange	
10	904774		3	O-ring	
11	792151		1	Elbow adapter 90	
12	903456		2	Pipe clamp	
13	287294		2	Cover plate	
14	500067		2	Screw	M8-1,25x55 8,8
15	904229		12	Washer	8,4x16x1,5
16	500022		12	Screw	M8-1,25x30 8,8
17	500048		4	Screw	M10-1,5x20 8.8
18	483722		1	Hydraulic hose	
19	483843		1	Hydraulic hose	
20	483844		1	Hydraulic hose	
21	483845		1	Hydraulic hose	
22	483846		1	Hydraulic hose	
23	483849		1	Hydraulic hose	
24	379069		2	Bearing	
25	791836		1	Elbow adapter 45	
26	791862		1	Tee-connector	
27	483872		1	Hydraulic hose	
28	379220		2	Sealing washer	
29	791798		1	T-connector	
30	792219		1	Straight connector	
31	923405		1	Measuring nipple	
32	904230		4	Washer	10,5x22x2
40				Hair clip	
41				Shaft	
50		B		Fan motor	

A) Spare part Filter element for ordinary service.

B) See Cooling system.

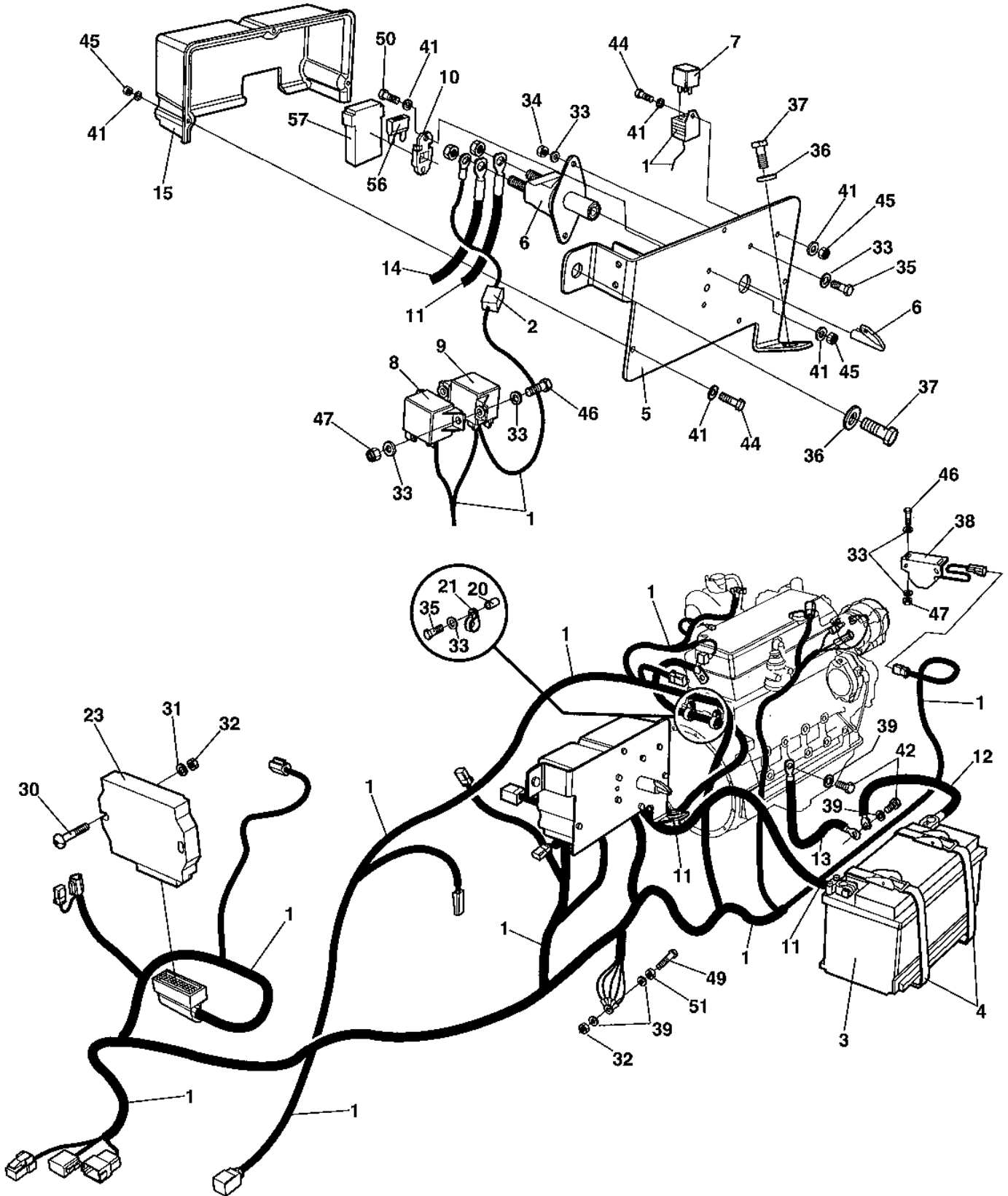


Brake system

Ref. No.	Part No.	Rem.	Qty	Description	Code
1	378537		1	Brake valve, cpl	
2	791542		4	Straight connector	
3	791914		1	Straight connector orfs	
4	791537		2	Straight connector	
5	791538		1	Straight connector	
6	791536		1	Straight connector	
7	791414		1	T-connection, O-ring with swivel	
8	904228		2	Washer	6,4x12x1,5
9	500040		2	Screw	M6-1x20 8,8
10	483835	A	1	Hydraulic hose	
11	483836	B	1	Hydraulic hose	
12	483837	C	1	Hydraulic hose	
13	483847	D	1	Hydraulic hose	
14	483848		1	Hydraulic hose	
15	379434		1	Bracket	
16	904229		4	Washer	8,4x16x1,5
17	500021		2	Screw	M8-1,25x25 8.8
18	570005		2	Nut	M8

- A) Mounted into P-port on Brake valve.
- B) Mounted into A-port on Brake valve.
- C) Mounted into T-port on Brake valve.
- D) Mounted into B-port on Brake valve.

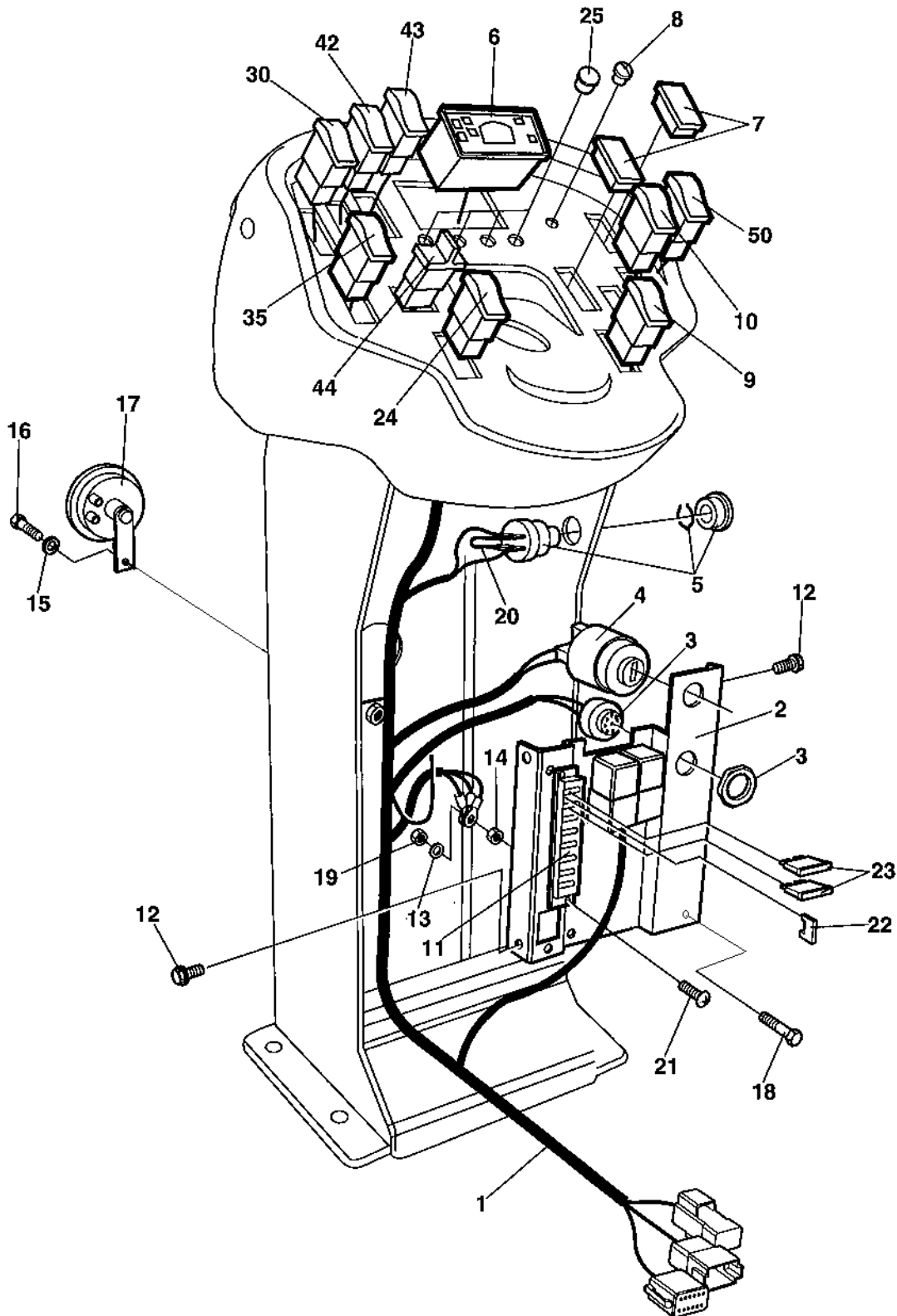
Ref. No.	Part No.	Rem.	Qty	Description	Code
10				Electric system (Page 42)	
20				Control panel (Page 44)	



Electric system

Ref. No.	Part No.	Rem.	Qty	Description	Code
1	378673	E	1	Cable harness	
2	791477		1	.Fuse holder	
	791514	A	1	.Fuse	100A - Blue
3	791719		1	Battery	D
4	389662		2	Strap	
5	390394		1	Holder	
6	903640		1	Battery switch	D
	928021		1	.Key	D
7	903956	B	1	Relay	D
8	904448	C	1	Relay	D
9	791183	D	1	Relay	D
10	904036		1	Fuse holder	
11	792282		1	Battery cable	
12	792195		1	Battery cable	
13	792196		1	Connection cable, coarse	
14	792283		1	Connection cable, coarse	
15	373891		1	Cover	
20	372664		2	Reducing nipple	
21	921028		2	Clamp	
23	378745		1	Control unit, ECU	
	392165		1	.Software	
30	792134		2	Bolt	
31	904556		2	Washer	8,4x16x3,0
32	586003		3	Lock nut	M8
33	904228		14	Washer	6,4x12x1,5
34	570004		2	Nut	M6
35	500013		4	Screw	M6-1x16 8,8
36	904567		2	Washer	10,5x28x6 HB305
37	500028		2	Screw	M10-1,5x25 8,8
38	904911		1	Back-up alarm	
39	904229		4	Washer	8,4x16x1,5
41	904281		12	Washer	5,3x10x1
42	500053		2	Screw	M8-1,25x20 8.8
44	500006		4	Screw	M5x16
45	586001		6	Lock nut	M5
46	500075		4	Screw	M6-1,0x25 8.8
47	586002		4	Lock nut	M6
49	903768		1	Threaded stud	
50	500060		2	Screw	M5-0,8x20 8.8
51	570005		1	Nut	M8
56	904038		1	Fuse	40A
57	904032		1	Fuse holder	D
60	313041	N		Cable ties	L=186 mm

- A) Pre-heater.
- B) Fuel solenoid.
- C) Start.
- D) Pre-heater.
- E) Main harness



Control panel

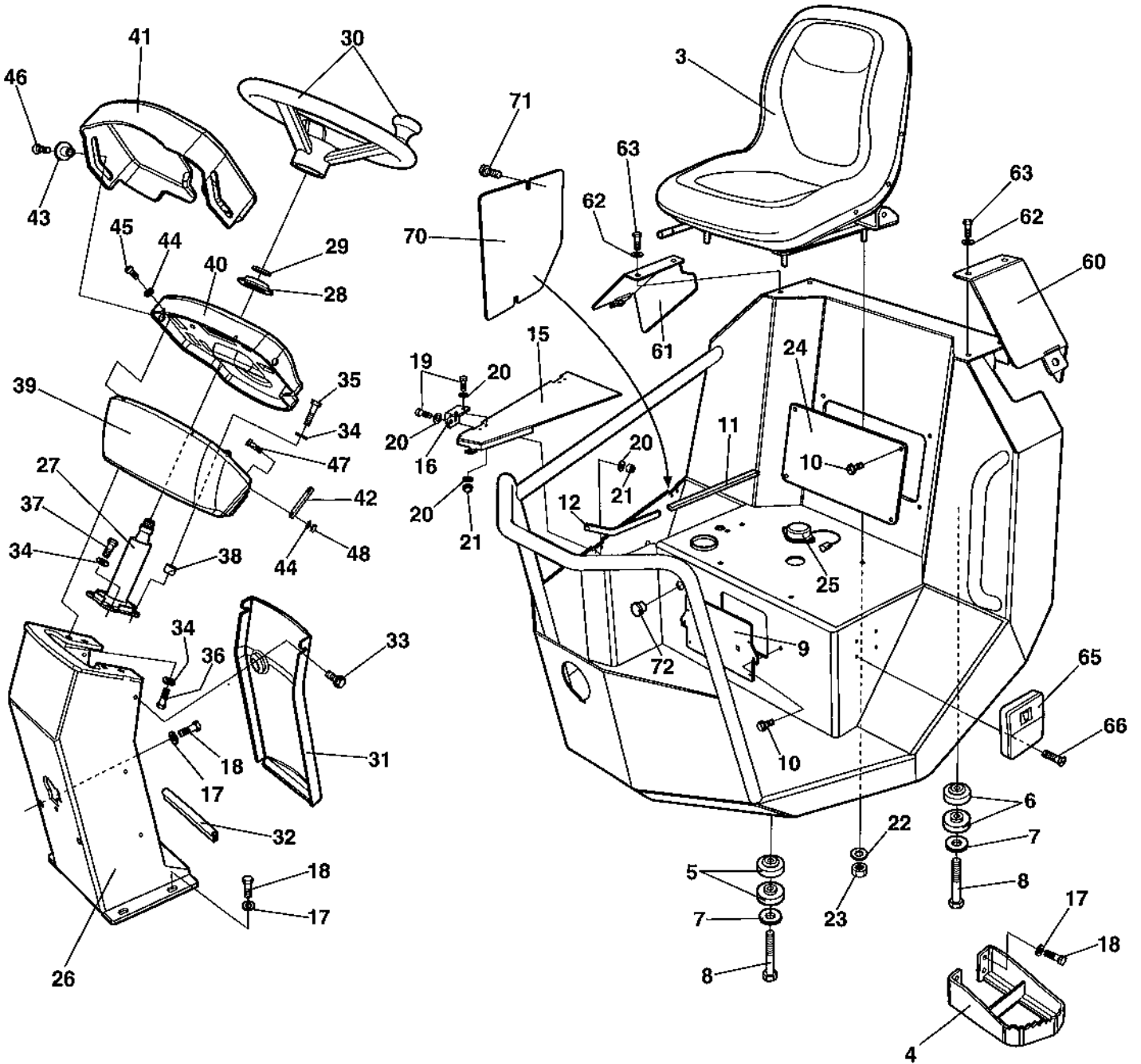
Ref. No.	Part No.	Rem.	Qty	Description	Code	
1	378674	B	1	Cable harness		
2	387683		1	Distribution control plate		
3	385599		1	Buzzer		
4	238158		1	Ignition switch		
	940451		1	.Key		
5	791647		1	Emergency stop		
6	388008		1	Control panel		
7	791588		N	Panel plug		
8	792083		N	Plug		
9	791578		1	Switch, horn		
10	792203		1	Switch, vibration		
11	791185		1	Fuse box		
12	903782		4	Screw	M5x12	
13	904228		2	Washer	6,4x12x1,5	
14	570004		1	Nut	M6	
15	904229		1	Washer	8,4x16x1,5	
16	500053		1	Screw	M8-1,25x20 8.8	
17	999027		1	Horn		D
18	500075		1	Screw	M6-1,0x25 8.8	
19	586002		1	Lock nut	M6	
20	791517		1	Connection cable		
21	901767		2	Screw	ST3,5x9,5 Black	
22	791211		N	Contact bridge		
23	901228		N	Fuse	15A	
	901227		N	Fuse	10A	B
	901225		N	Fuse	5A	B
24	791582		1	Switch, parking brake		
25	792320		4	Plug		
30	791587	A	1	Switch, working light		
35	791585	A	1	Switch, rotating beacon		
42	791583	A	1	Switch, driving light		
43	791584	A	1	Switch, warning blinkers		
44	791586	A	1	Switch, drive direction		
50	792240	A	1	Switch, levelling blade		

A) Option

B) Control panel

Drivers platform

Ref. No.	Part No.	Rem.	Qty	Description	Code
10				Drivers platform (Page 48)	
20				Forward and reverse control (Page 52)	
30				Forward and reverse control handle (Page 54)	
40				Throttle control (Page 56)	
50				Rops and fops (Page 58)	



Drivers platform

Ref. No.	Part No.	Rem.	Qty	Description	Code
1	390140		1	Platform	
3	377556		1	Seat	
4	378475		1	Step	
5	378627		4	Shock absorber,	Front
6	378628		4	Shock absorber,	Rear
7	345666		4	Steel spacer	
8	500199		4	Screw	M16-2x110 8,8
9	388447		1	Cover	
10	500505		6	Screw	M8x20 8.8
11	902379	A	1XL	Edge trim	
12	902379	B	1XL	Edge trim	
15	390248		1	Cover	
16	903907		2	Hinge	
17	904557		10	Washer	10,5x22x4
18	500029		10	Screw	M10-1,5x30 8.8
19	500040		8	Screw	M6-1x20 8,8
20	904228		16	Washer	6,4x12x1,5
21	586002		8	Lock nut	M6
22	904229		4	Washer	8,4x16x1,5
23	586003		4	Lock nut	M8
24	378928		1	Cover	
25	379636		1	Seat switch	
26	378335		1	Control panel column	
27	902123		1	Steering column	
28	928830		1	Rubber washer	
29	904793		1	Washer	19x34x3
30	372964		1	Steering wheel, cpl	
	935614		1	.Turning knob	
	935613		1	.Cover	
31	387226		1	Column cover	
32	902166	C	1XL	Edge trim	3-5
33	500505		2	Screw	M8x20 8.8
34	904230		8	Washer	10,5x22x2
35	500031		2	Screw	M10-1,5x40 8,8
36	500029		4	Screw	M10-1,5x30 8.8
37	500048		2	Screw	M10-1,5x20 8.8
38	355869		2	Spacer sleeve	
39	387720		1	Control panel holder	
40	391784		1	Control panel	
41	387227		1	Control panel cover	
42	387545		1	Latch	
43	357855		2	Bushing	
44	904281		4	Washer	5,3x10x1
45	904653		3	Screw	M5x16 A2-70
46	513017		2	Screw	M6x30H 10,9
47	500007		1	Screw	M5-0,8x22H 8,8
48	791476		1	Nut	M5 -8
60	390366	D	1	Cover, Left,	Option
61	390367	D	1	Cover, right	Option
62	904228		6	Washer	6,4x12x1,5
63	500013		6	Screw	M6-1x16 8,8
65	377255	E	1	Cup holder	
66	513027		4	Screw	M4x16H 10,9
70	390249		1	Cover	
71	904755		2	Screw	M8x12 8,8 FZB

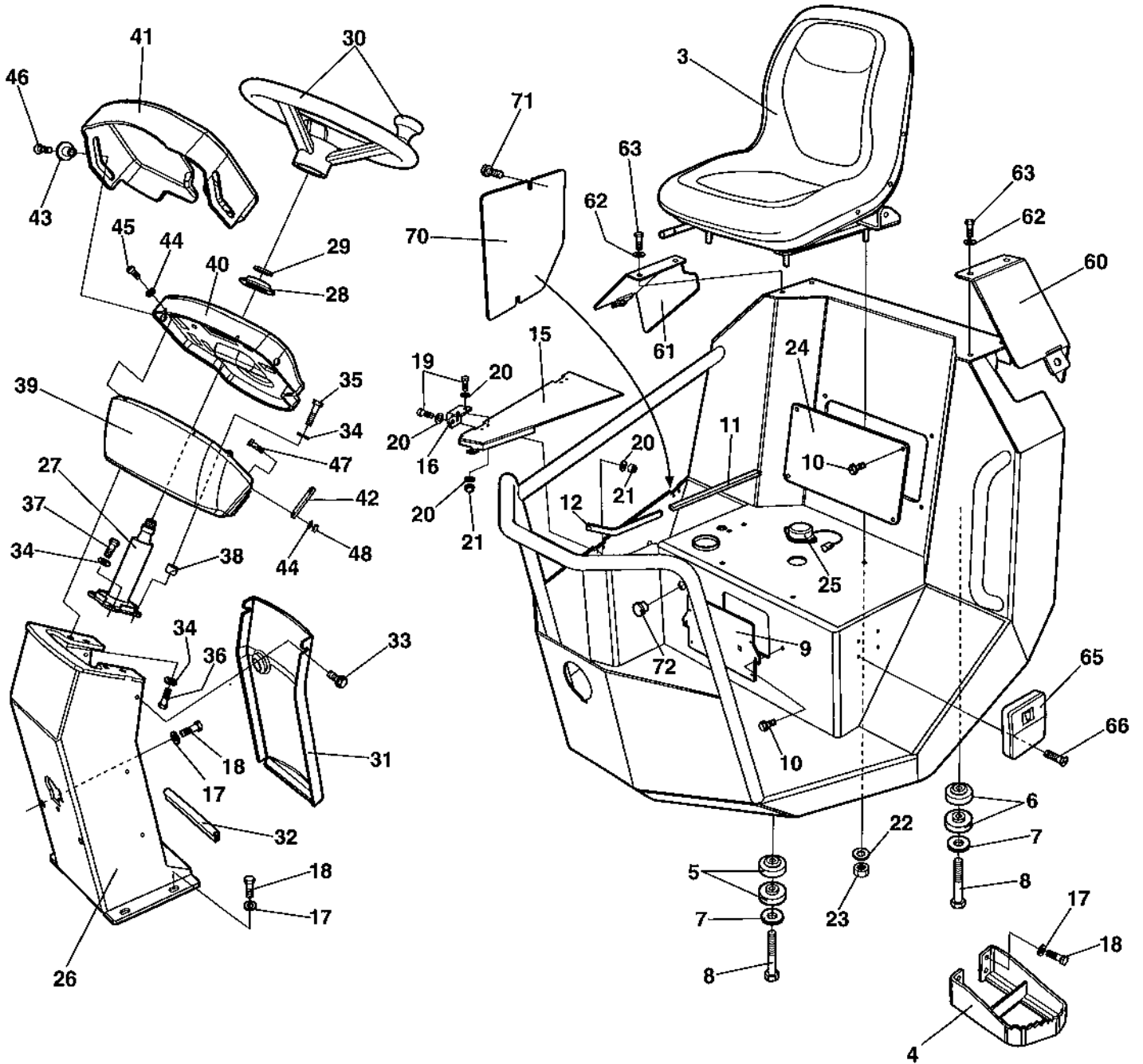
A) L=0.335M.

B) L=0,255M

C) L=0,190M

D) Used without ROPS.

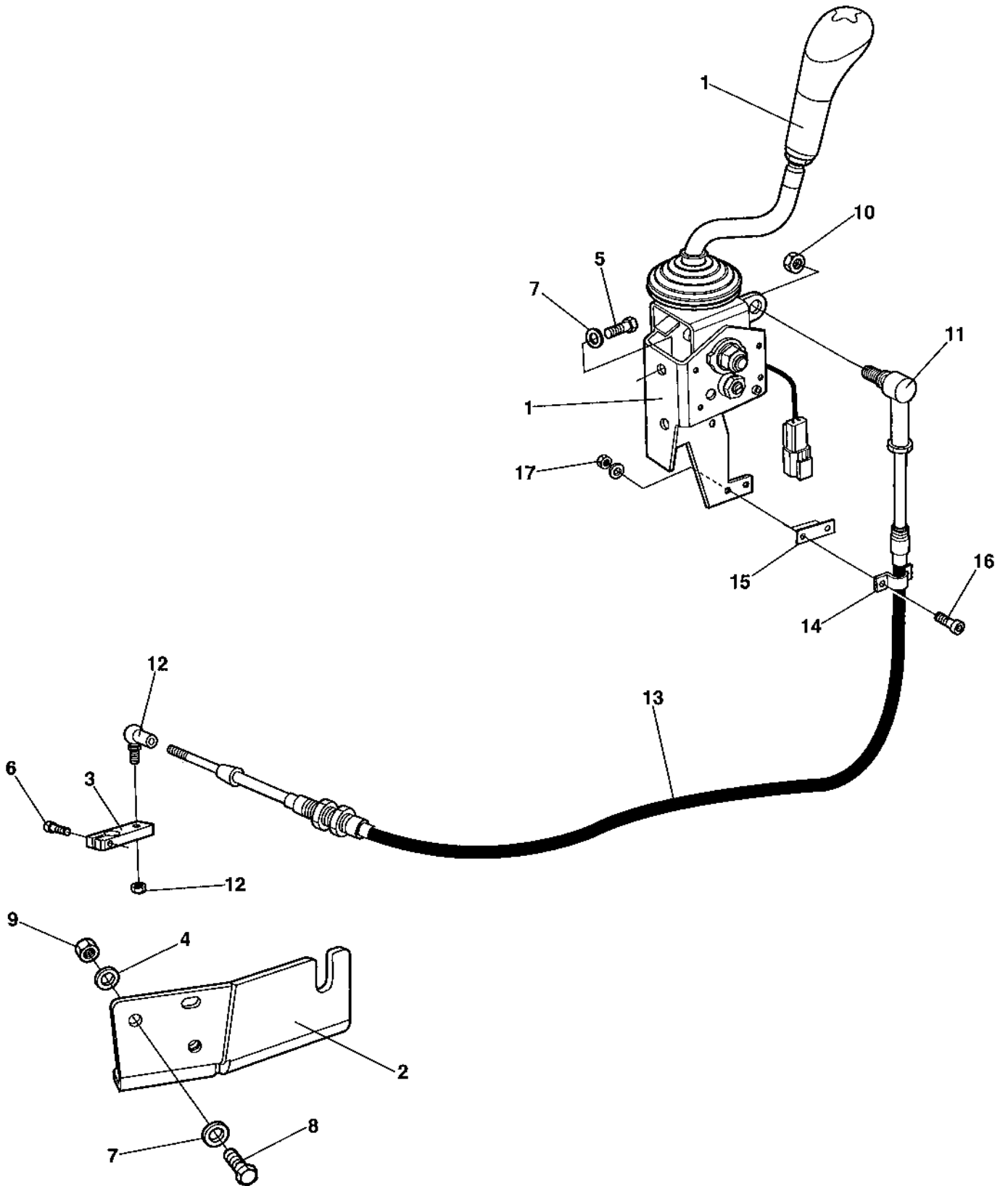
E) Option



Ref. No.	Part No.	Rem.	Qty	Description	Code
72	923270		2	Protective plug	

Forward and reverse control

18351



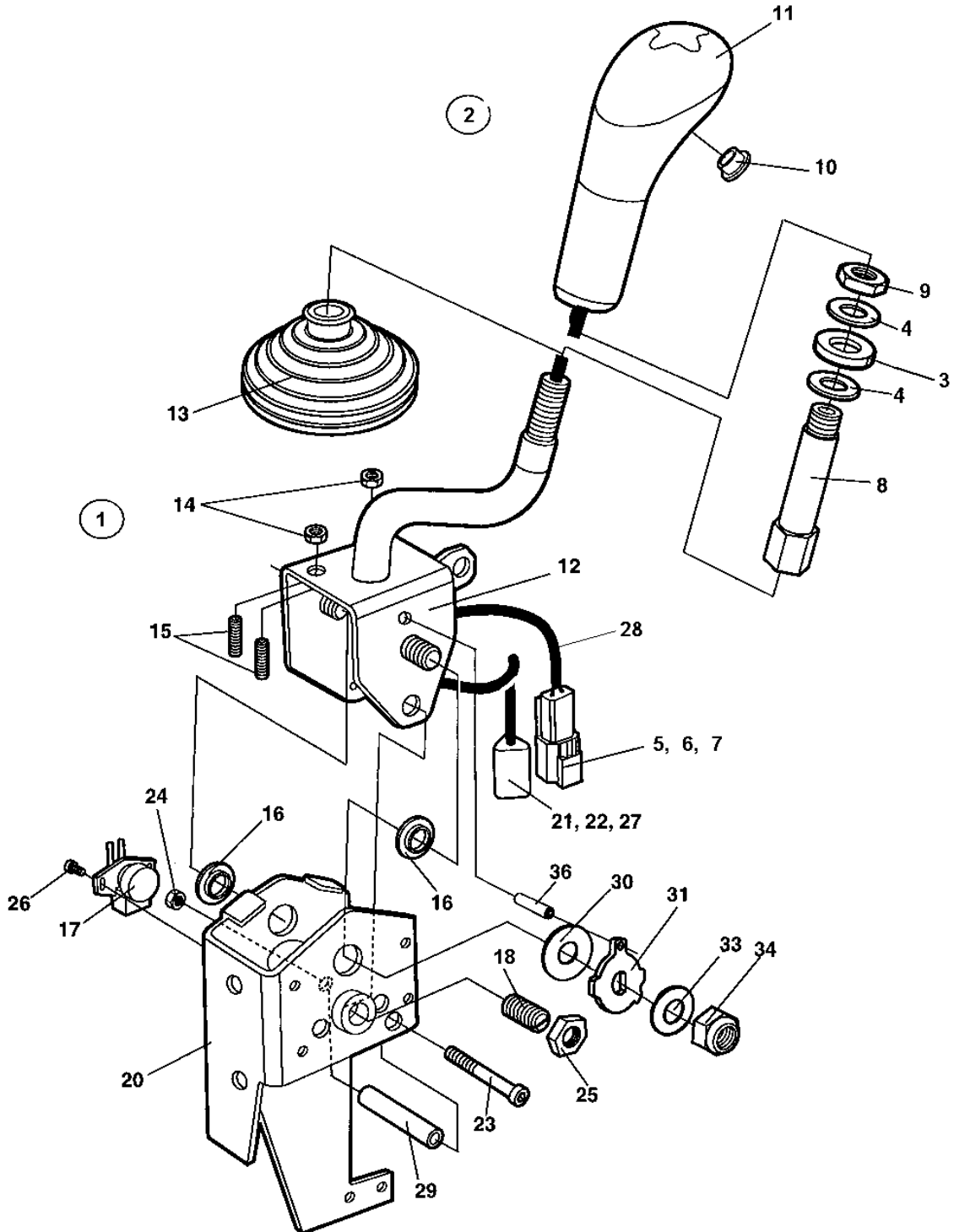
Forward and reverse control

Ref. No.	Part No.	Rem.	Qty	Description	Code
1			1	Forward and reverse control handle (Page 54)	
2	379467		1	Control bracket	
3	378340		1	Control lever	
4	904229		2	Washer	8,4x16x1,5
5	508092		2	Screw	M8-1,25x20H 8,8
6	508020		1	Screw	M5x20
7	904556		4	Washer	8,4x16x3,0
8	500022		2	Screw	M8-1,25x30 8,8
9	570005		2	Nut	M8
10	586003		1	Lock nut	M8
11	377019		1	Ball joint	
12	416034		1	Ball joint	
13	377024	A	1	Cable	Forward/Reverse
14	377020		1	Clamp	
15	377021		1	Spacer	
16	926537		2	Screw	M5-0,8x16H 8,8
17	586001		2	Lock nut	M5

A) L=1900MM

Forward and reverse control handle

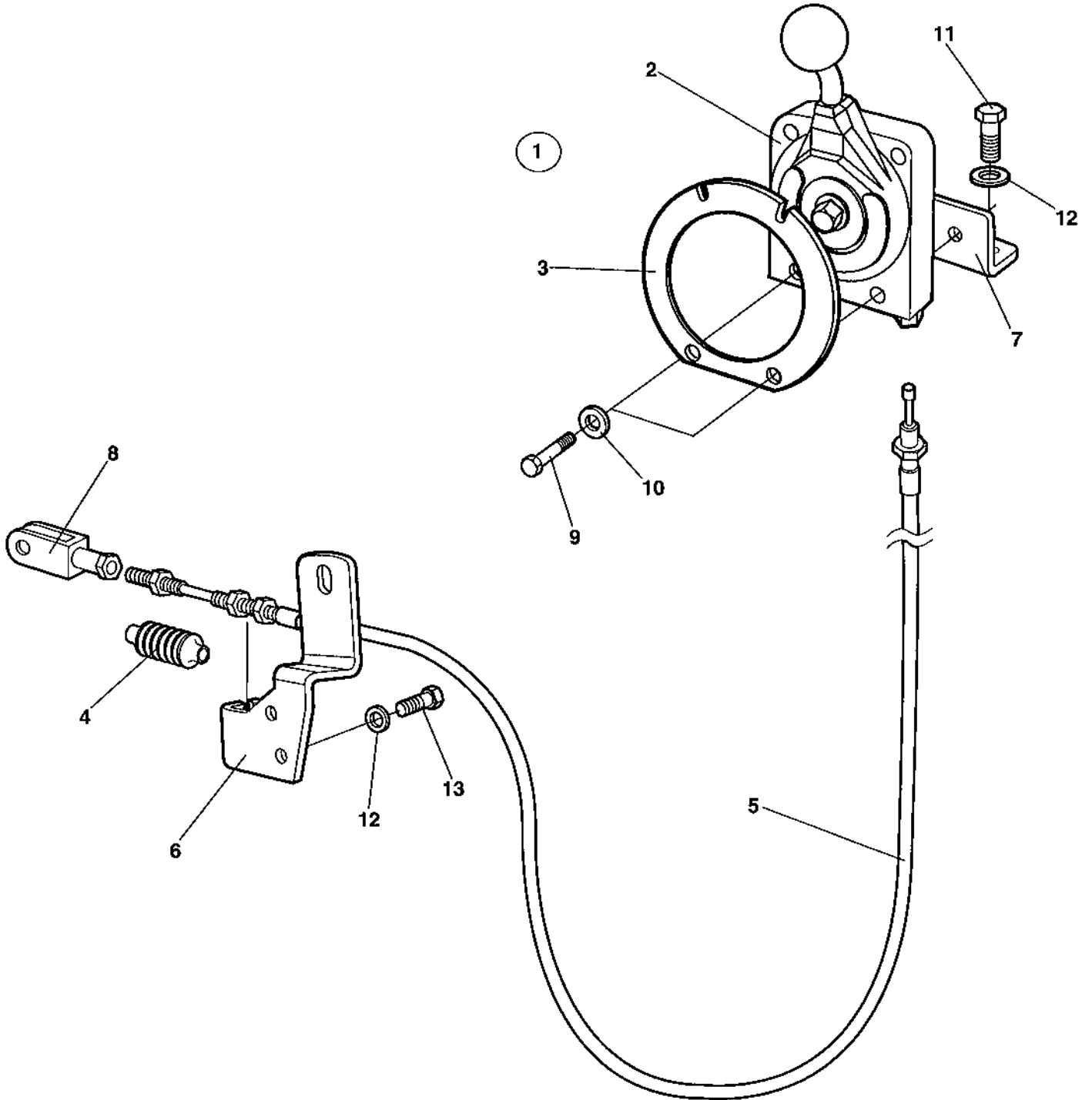
18071-2



Forward and reverse control handle

Ref. No.	Part No.	Rem.	Qty	Description	Code
1	945407		1	Lever, cpl	
2	940374		1	.Handle kit, cpl	
			1	..Handle	
			1	...Button	
			1	...Cable	
			1	..Lockfluid	
			1	..Service information	
3			1	..Washer	
4			2	..Washer	
5			1	..Connector, receptable	
6			1	..Lock wedge	
7			2	..Pin	
8			1	..Rod	
9			1	..Nut	
10	377018		1	..Protection plug	
11	378759		1	..Handle top	
12	391379		1	.Lever	
13	377009		1	.Bellows	
14	570004		2	.Nut	M6
15	377015		2	.Set screw	
16	391381		1	Bushing	
17	391382		1	Potentiometer with cable	
18	377016		1	Spring loaded pin	
20	377010		1	Bracket	
21	903945		1	Connector, plug	
22	903946		1	Lock wedge	
23	508068		1	Screw	
24	904563		1	Lock nut	M6
25	927233		1	Nut	
26	391383		1	Screw	
27	903947		3	Pin	
28		B	1	Cable	
29	377011		1	Spacer	
30	377012		1	Friction washer	
31	391380		1	Cam washer	
33	377014		1	Spring washer	
34	586019		1	Lock nut	M12
36	391386		1	Spirol pin	

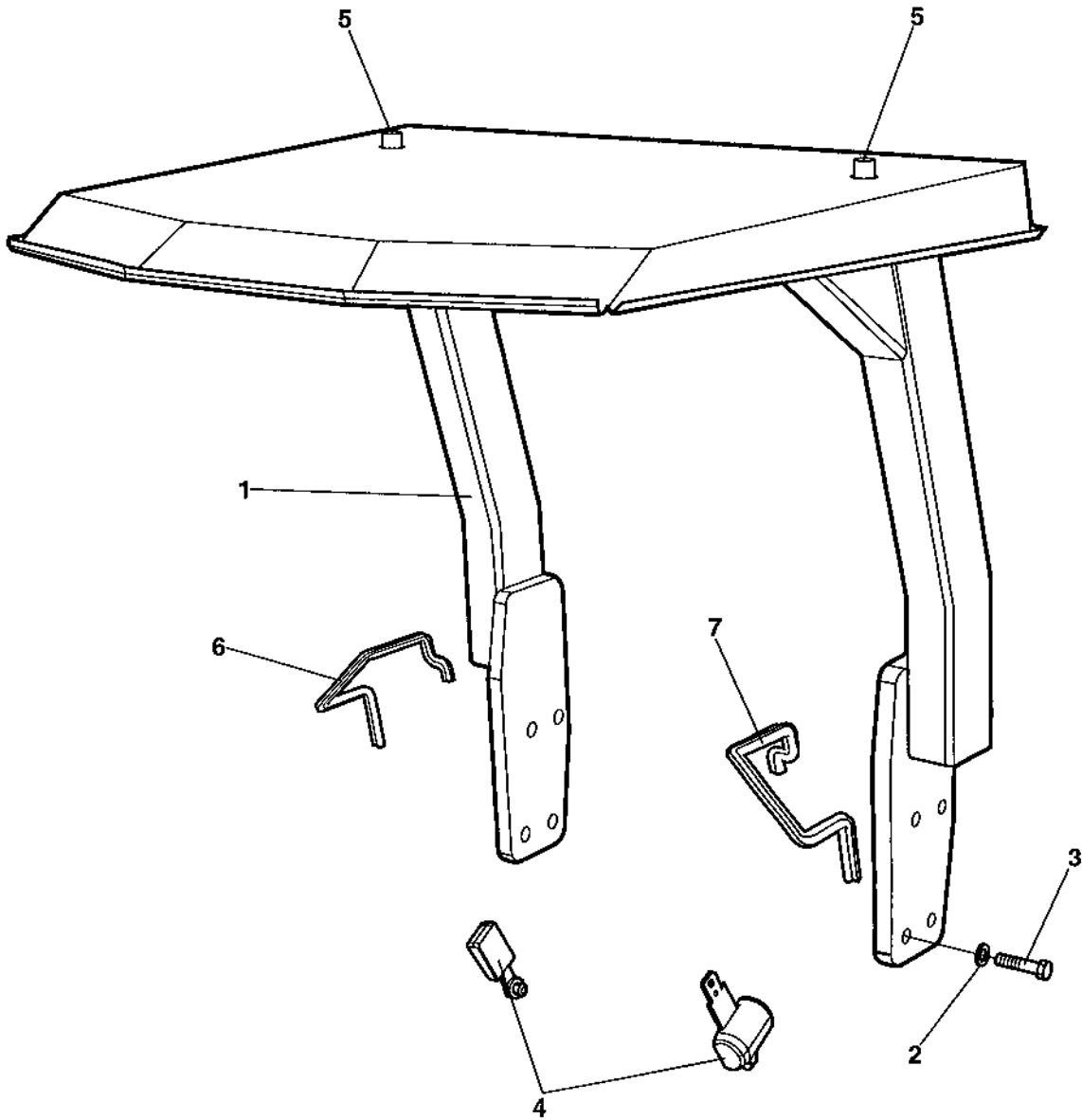
B) Included in potentiometer Pos 17



Throttle control

Ref. No.	Part No.	Rem.	Qty	Description	Code
1	389173		1	Throttle control, cpl	
2	389175		1	.Control	
3	389177		1	.Snap plate	
4	382349		1	.Bellows	
5	389181	A	1	.Throttle cable	D
6	390387		1	Bracket	
7	379996		1	Bracket	
8	416019		1	Yoke	
9	500075		2	Screw	M6-1,0x25 8.8
10	904228		2	Washer	6,4x12x1,5
11	500053		2	Screw	M8-1,25x20 8.8
12	904229		4	Washer	8,4x16x1,5
13	500019		2	Screw	M8-1,25x16 8.8

A) L=2400MM



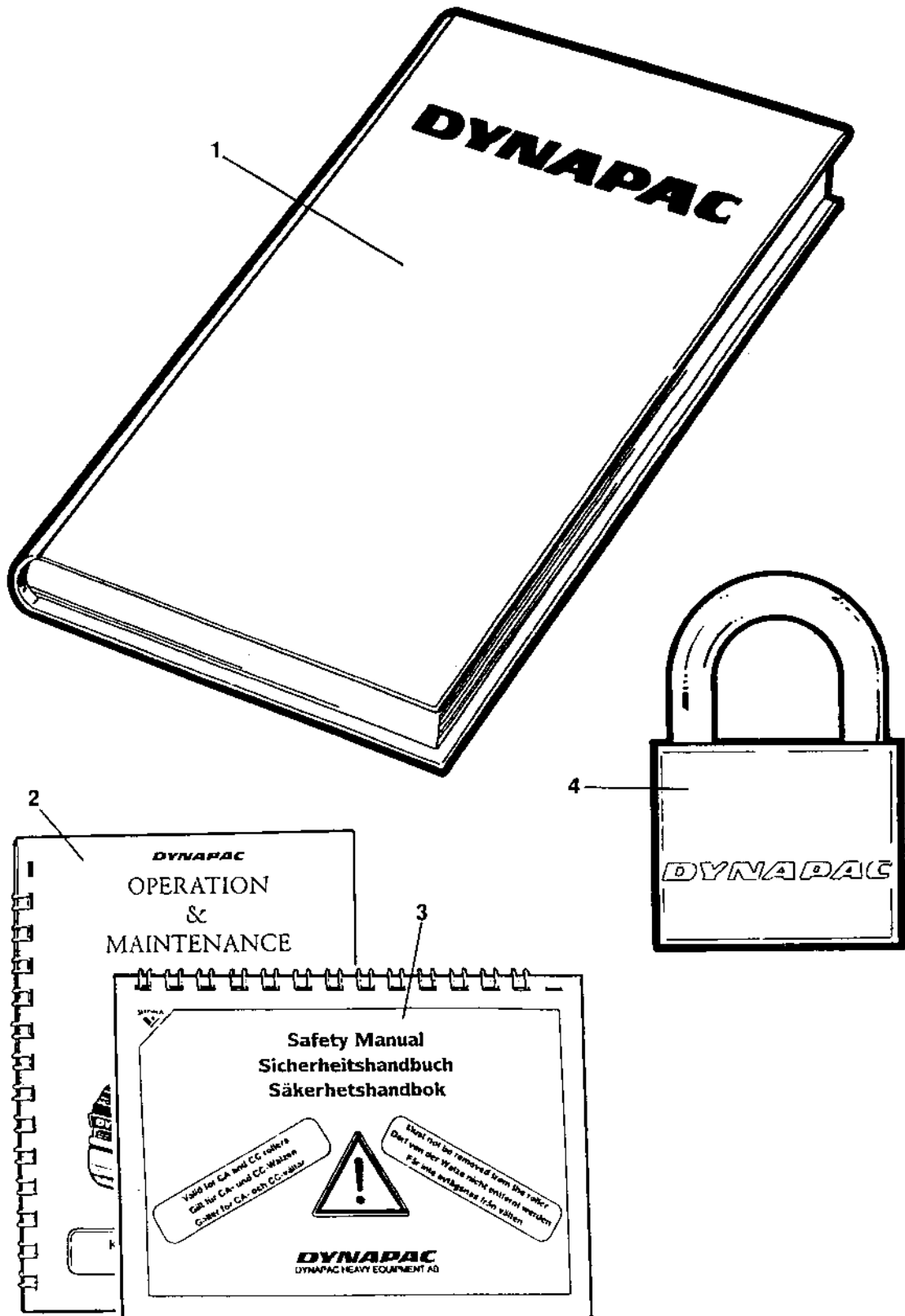
Rops and fops

Ref. No.	Part No.	Rem.	Qty	Description	Code
1	378829		1	Rops	
2	904232		8	Washer	17x30x3
3	500082		8	Screw	M16x70
4	377677		1	Seat belt	2"
	379637	A	1	Seat belt	3"
5	900986		2	Plug	
6	902166	B	1XL	Edge trim	3-5
7	902166	B	1XL	Edge trim	3-5

A) Option

B) L=0,580M

Ref. No.	Part No.	Rem.	Qty	Description	Code
10				Standard equipment (Page 64)	



Ref. No.	Part No.	Rem.	Qty	Description	Code
1			1	Documentation	ISCA144D
			1	.Warranty registration card	
			1	.Spare parts catalogue	SCA144D
			1	.Instruction manual	John Deere 5030TF270
2			1	.Operating / maintenance instruction	ICA144
3			1	.Safety manual	RSAFE
4	358881		1	Pad lock	

Part Number	Page	Part Number	Page	Part Number	Page
114089	13	377021	53	378928	49
116041	13	377024	53	378957	23
160040	13	377255	49	378959	9
160093	13	377556	49	379057	33,35
160344	13	377677	59	379069	37
162008	33	377782	7	379169	7
162017	13	378003	13	379184	25
162018	13	378125	7	379220	37
162027	13	378143	33	379434	39
202043	35	378149	35	379464	23
232039	35	378153	37	379467	53
232145	35,37	378155	35	379601	19
232210	13	378164	33	379636	49
238158	45	378165	29	379637	59
287294	37	378166	33	379666	7
288129	19	378187	37	379996	57
313001	23	378227	17	380262	23
313006	19	378294	25	381027	13
313008	35	378298	23	381028	13
313010	19	378335	49	381413	19
313023	23	378340	53	382130	9
313032	19,23	378409	17	382131	9
313036	25	378433	9	382165	9
313038	23	378445	35	382335	9
313041	43	378475	49	382349	57
313075	19	378488	13	383436	13
330171	23	378537	39	384397	13
336742	13	378574	23	385133	13
343318	13	378585	23	385599	45
343744	13	378588	23	386272	13
343775	7	378589	23	386966	21
343801	13	378617	35	387129	17
344196	13	378621	35	387130	19
345243	33	378622	17	387148	9
345666	49	378627	49	387151	9
349715	13	378628	49	387226	49
355869	49	378640	17	387227	49
357138	35	378641	17	387545	49
357139	35	378642	17	387682	23
357855	49	378643	17	387683	45
358881	65,67	378644	25	387720	49
359550	37	378657	21	387948	9
359551	37	378658	21	388008	45
359552	37	378664	17	388447	49
370231	13	378668	35	388557	23
372229	37	378669	35	389173	57
372664	43	378670	35	389175	57
372964	49	378673	43	389177	57
373891	43	378674	45	389181	57
374059	33	378712	21	389662	43
374565	13	378733	21	390140	49
374744	7	378734	21	390244	19
377009	55	378735	21	390245	19
377010	55	378736	21	390248	49
377011	55	378745	43	390249	49
377012	55	378759	55	390250	19
377014	55	378829	59	390251	19
377015	55	378878	7	390252	19
377016	55	378879	7	390255	9
377018	55	378880	7	390259	9
377019	53	378925	21	390269	9
377020	53	378926	21	390270	9

DYNAPAC
NUMERICAL INDEX

SCA144D-US1EN1

Dynapac Compaction Equipment AB

Part Number	Page	Part Number	Page	Part Number	Page
390298	9	483843	37	508020	53
390299	9	483844	37	508048	35
390310	19	483845	37	508068	55
390340	25	483846	37	508092	53
390341	25	483847	39	509012	17
390351	13	483848	39	509035	33
390357	13	483849	37	513017	49
390366	49	483850	35	513027	49
390367	49	483871	33	516002	9
390381	21	483872	37	516049	9
390383	19	483915	33	527002	13
390387	57	483917	35	535011	9
390389	23	483918	35	570004	9,21,43,45,55
390390	19	483928	35	570005	9,19,21,23,33,35
390391	19	483944	33		39,43,53
390392	19	483946	33	570006	9,19
390393	19	483947	33	573008	9
390394	43	483983	33	586001	9,43,53
390420	7	500006	43	586002	23,43,45,49
390425	7	500007	49	586003	9,21,43,49,53
390475	9	500012	9	586019	7,9,17,55
390521	13	500013	7,19,43,49	586021	13
390522	13	500015	21	635061	7
390523	13	500019	9,19,57	747282	23
390549	13	500020	19	791120	35
390550	13	500021	9,19,23,39	791182	17
390551	13	500022	17,35,37,53	791183	43
390592	17	500023	19	791185	45
390593	17	500024	21,35	791211	45
390594	17	500028	13,19,35,43	791318	33
390662	29	500029	17,23,49	791321	37
390663	29	500030	9,33	791414	39
390664	29	500031	33,49	791423	19
390665	29	500032	19	791476	49
390666	29	500037	13,17,33	791477	43
390667	29	500040	19,39,49	791514	43
390668	29	500043	7,33,35	791517	45
390669	29	500046	13,35	791536	39
390670	29	500047	9,21	791537	39
390671	29	500048	7,37,49	791538	39
390672	29	500051	13	791542	39
391265	7	500053	25,33,35,43,45	791549	33
391379	55		57	791578	45
391380	55	500058	13	791582	45
391381	55	500060	43	791583	45
391382	55	500067	37	791584	45
391383	55	500068	9	791585	45
391386	55	500070	13,17	791586	45
391440	33	500075	17,23,43,45,57	791587	45
391784	49	500076	7,13	791588	45
392165	43	500082	7,59	791632	35
392552	33	500109	33	791634	17
416019	57	500116	33	791647	45
416034	53	500133	7,13	791719	43
483722	37	500163	13	791791	37
483825	33	500165	13	791798	33,37
483826	33	500194	17	791799	33
483835	39	500197	35	791808	33
483836	39	500199	49	791820	17
483837	39	500226	29	791823	33,35
483839	35	500267	9	791830	17
NI 2 483842	33	500505	49	791836	35,37

Part Number	Page	Part Number	Page	Part Number	Page
791840	37	904137	23	940989	17
791841	33,37	904214	33	945407	55
791844	33	904228	7,9,17,19,21,23	945824	19
791850	33		39,43,45,49,57	945825	19
791853	35	904229	9,17,19,21,23,25	999027	45
791862	37		33,35,37,39,43		
791914	39		45,49,53,57		
791933	13	904230	7,9,13,19,35,37		
792083	45		49		
792134	43	904231	7,9,13,17,35		
792151	37	904232	13,17,59		
792157	33	904233	29		
792167	35	904281	9,43,49		
792168	35	904346	23		
792195	43	904352	19		
792196	43	904448	43		
792198	35,37	904556	23,43,53		
792199	35	904557	9,23,35,49		
792203	45	904563	17,55		
792219	37	904567	43		
792240	45	904570	33		
792257	9	904574	9		
792258	9	904584	35		
792261	29	904637	17,33		
792264	33	904640	9,19,21		
792282	43	904641	33		
792283	43	904653	49		
792320	45	904698	23		
801981	21	904703	7,17,33,35		
813429	35	904755	49		
814261	25	904766	33		
821460	13	904773	33		
900775	13	904774	35,37		
900986	59	904793	13,49		
901145	29	904911	43		
901157	33	904984	23		
901225	45	921022	35		
901227	45	921028	43		
901228	45	921050	19		
901767	45	921072	19		
902123	49	922552	35		
902166	49,59,61	923270	49,51		
902295	35	923405	37		
902379	49	925629	9		
903236	23	925802	19		
903456	37	926537	53		
903640	43	926736	13		
903703	19	927233	55		
903713	19	927637	21		
903768	43	927974	23		
903782	45	928021	43		
903856	9	928830	49		
903907	49	929226	33		
903923	9	929447	13		
903945	55	935613	49		
903946	55	935614	49		
903947	55	940374	55		
903956	43	940451	45		
903985	29	940985	17		
904032	43	940986	17		
904036	43	940987	17		
904038	43	940988	17		