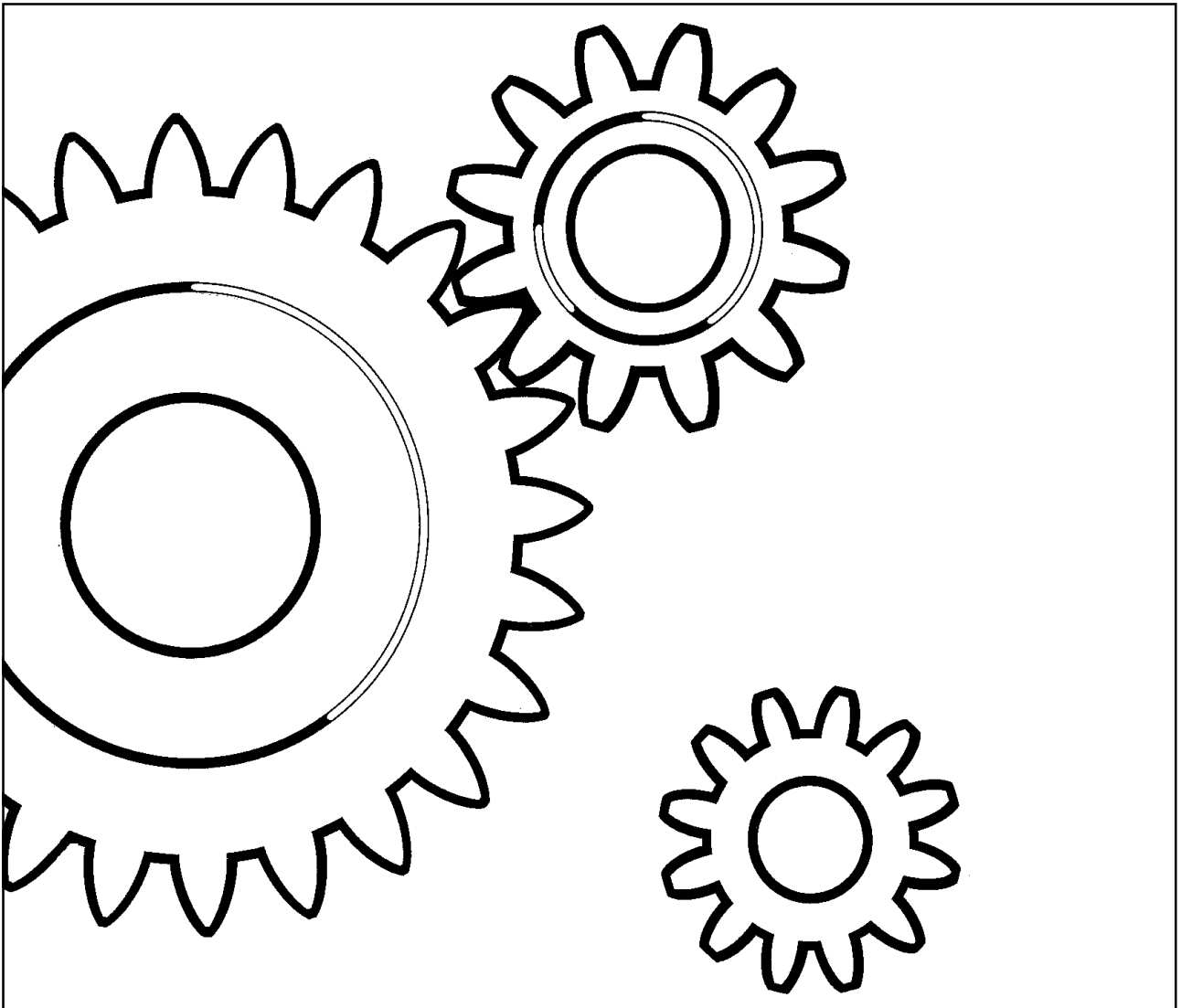


**DYNAPAC**  
**CA134PD**  
**SPARE PARTS**  
**CATALOGUE**  
**SCA134PD-1EN1**



***DYNAPAC***

Box 504, SE-371 23 Karlskrona, Sweden  
Phone: +46 455 30 60 00, Fax: +46 455 30 60 10  
[www.dynapac.com](http://www.dynapac.com)



## **Vibratory Roller CA134PD**

### **Spare Parts Catalogue SCA134PD-1EN1**

*Valid from roller serial number:*

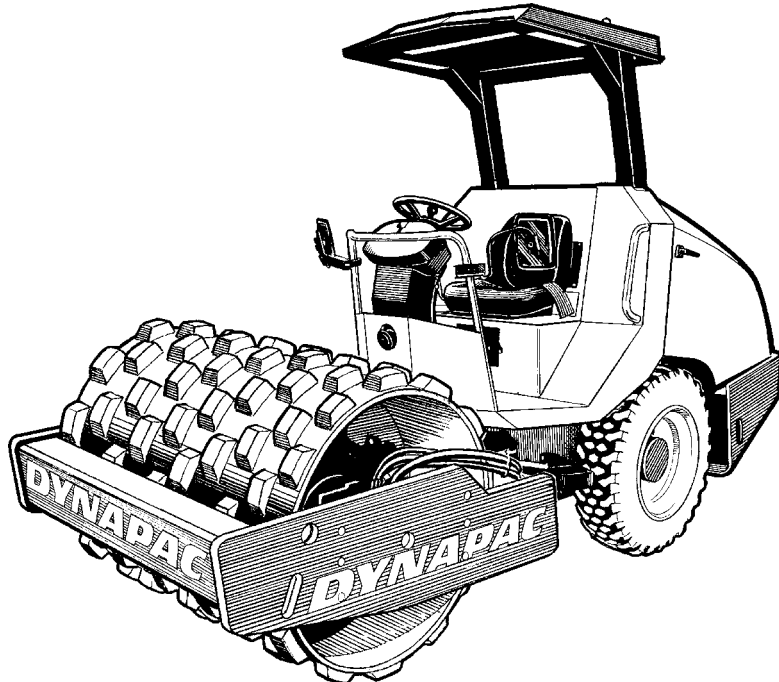
*\*81370134\*-*

*Diesel engines:*

*John Deere 5030TF270*

*Published catalogue issues valid for these rollers:*

<i>Catalogue</i>	<i>Issue date</i>	<i>Valid for serial numbers</i>
<i>SCA134PD-1EN1</i>	<i>2006-10</i>	<i>*81370134*-</i>



**RESERVDLSBESTÄLLNING**

Följande uppgifter ska lämnas vid beställning av reservdelar för att undvika leveransfel:

1. Maskintyp.
2. Vältensserienummer.
3. Antal av önskad reservdel.
4. Reserdelens artikelnummer.
5. Reservdelens benämning.
6. Måttuppgifter vid beställning av metervara.

**ERSATZTEILBESTELLUNG**

Zur Vermeidung von Fehllieferungen sind bei der Bestellung von Ersatzteilen folgende Angaben zu machen:

1. Maschinentyp.
2. Herstellungsnummer.
3. Bestellmenge. (Quantity)
4. Ersatzteilnummer. (Part N°)
5. Ersatzteilbenennung. (Denomination)
6. Massangaben bei Bestellung von Meterware.

**PEDIDO DE RECAMBIOS**

Para evitar errores en las entregas, deberán indicarse los siguientes datos al hacer un pedido de recambios:

1. Tipo de máquina.
2. Número de serie.
3. Cantidad de piezas deseadas. (Quantity)
4. Número de artículo de la pieza de recambio. (Part N°)
5. Denominación de la pieza. (Denomination)
6. Indíquese la medida al solicitar un artículo que se expide por metros.

**ORDERING SPARE PARTS**

To avoid errors in delivery, please give the following information when ordering spare parts:

1. Type of machine.
2. Roller serial number.
3. Quantity required.
4. Part number.
5. Parts denomination.
6. Dimensions when ordering per length.

**ORDINI DI RICAMBI**

Per evitare errori nelle consegne di ricambi, Vi preghiamo di comunicarci le seguenti informazioni al momento dell'ordinazione:

1. Tipo di macchina.
2. Numero di serie della macchina.
3. Quantità dei pezzi desiderati. (Quantity)
4. Numero di codice del pezzo. (Part N°)
5. Descrizione del pezzo di ricambio. (Denomination)
6. Misura, in caso di ordine per metro.

**COMMANDE DE PIÈCES DE RECHANGE**

Les indications suivantes doivent être fournies lors de la commande de pièces de rechange, afin d'éviter toute erreur de livraison:

1. Type de machine.
2. Numéro de série.
3. Quantité désirée de pièce de rechange. (Quantity)
4. Numéro de la pièce de rechange. (Part N°)
5. Dénomination de la pièce de rechange. (Denomination)
6. Longueur en cas de commande au mètre.

**YOUR AGENT/DEALER:**

# DYNAPAC

## Text pages

The text pages is structured as the picture on the right.

1. This is the remarks for specific items and the descriptions of the remarks is at the bottom of the parts list.
2. Parts indicated by a dot and moved to the right are included when buying the assembled unit above.
3. Spare parts and service code for a specific part, mainly for internal use at Dynapac. "A" = Service part, "B" = Fast moving part, "C" = Suggested exchanged part and "D" = Regular spare part.

<b>DYNAPAC</b>					Metso Dynapac AB
Cooling system					
Ref. No.	Part No.	Rem.	Qty	Description	Code
1	223047		1	Water cooler	③ C
2	935852		1	Radiator cap	D
3	935851	①	1	Cock	
4	373263	A	1	Radiator hose	D
5	313009		6	Clamp	
6	205058	B	1XL	Rubber cloth	
7	373261	C	1	Radiator hose	D
8			1	Oil cooler	D
9	223289		1	Plate	
10	902166	D	1XL	Edge trim	
11	223287	E	1	Holder	
12	223288	F	1	Holder	
13	908168		1	Fan guard	
14	908170		1	Fan shroud	
15	908171		2	Mounting bar	
16	908169		1	Fan guard	
17	500021		14	Screw	
18	902286		14	Nut	
19	600006		14	Washer	
20	313102		2	Cable strap	

① A) Upper  
 B) L=060MM  
 C) Lower  
 D) L=2280MM  
 E) Left  
 F) Right

## Changes

PARTS INFO	SERVICE INFO	GROUP	PAGE	NOTES

## Notes

---



---



---



---



---



---



---



---



---



---



## PÄRMETIKETT

För att undvika fel vid reservdelsbeställning finns här nedan två etiketter som passar i fickorna på pärmarnas ryggar. På dessa kan man se från vilket vältnummer av aktuell maskin reservdelskatalogen gäller. Gör så här:

1. Tag denna sida ur pärmen.
2. Klipp ut etiketten till **VÄNSTER** (1) och sätt in den i fickan på **DENNA** pärmens rygg.
3. Finns det en etikett till **HÖGER** (2), kan denna användas på pärmen för **FÖREGÅENDE** utgåva av denna katalog.
4. Kasta detta papper.

## KATALOG-BESCHRIFTUNG

Zur Vermeidung von Fehlern bei der Ersatzteilbestellung benutzen Sie bitte die unteren Beschriftungen, um die Kataloge auf der Rückseite zu kennzeichnen. Auf der Beschriftung ist angegeben, für welche Maschinennummern der jeweilige Katalog gültig ist. Ablauf:

1. Nehmen Sie dieses Blatt aus dem Katalog.
2. Schneiden Sie die **LINKE** Beschriftung (1) aus. Schieben Sie die Beschriftung in die tasche auf **DEM** Katalogrücke.
3. Sollte die Beschriftung unten **RECHTS** (2) mitgeliefert werden, kennzeichnen Sie damit bitte die **ÄLTERE** Ausführung dieses Kataloges.
4. Den Rest dieses Blattes bitte vernichten.

## ETIQUETA PARA LA CARPETA

Para evitar errores al pedir repuestos utilicen las etiquetas abajo descritas para identificar los catálogos en la parte trasera de la carpeta. En la etiqueta se ven los números de referencia de la serie para la cual es válido el catálogo. Instrucciones:

1. Quitar esta página de la carpeta.
2. Corta la etiqueta **IZQUIERDA** (1) y ponerla en **ESTA** carpeta en la parte trasera.
3. Si hay una etiqueta en la parte **DERECHA** (2) se puede utilizar en la carpeta para el catálogo que **PRECEDE** a esta.
4. Tirar esta hoja.

## BINDER LABEL

To avoid errors when ordering spare parts use the labels below to identify the catalogues on the back of the binder. The label contain the serial number range for which the catalogue is valid. Do like this:

1. Remove this page from the binder.
2. Cut out the **LEFT** label (1) and put it on **THIS** binders back.
3. If there is a label to the **RIGHT** (2), it can be used on the binder for **PRECEDING** issue of this catalogue.
4. Throw away this paper.

## ETICHETTAPOSTA SUL RACCOGLITORE

Per evitare errori quando ordinate pezzi di ricambio, usate le etichette in calce che servono ad identificare i cataloghi sul retro del raccoglitore. L'etichetta indica il numero di matricola delle macchine prese in considerazione nel catalogo.

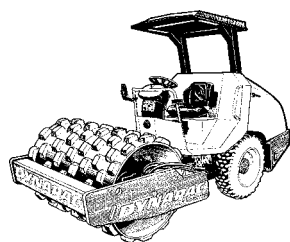
1. Rimuovete questa pagina dal raccoglitore.
2. Ritagliate l'etichetta posta a **SINISTRA** (1) e ponetela sul retro **DEL** raccoglitore.
3. Se trovate anche un'etichetta sulla **DESTRA** (2), ritagliatela e ponetela sul raccoglitore relativo alla **PRECEDENTE** edizione del catalogo.
4. Distruggete questo foglio.

## ETIQUETAGE DU CATALOGUE

Afin d'éviter des erreurs lors de commandes de pièces de rechange, nous vous conseillons d'apposer les marquages ci-dessous à l'arrière du classeur, pour identifier les catalogues. Ce marquage indique les numéros de série pour lesquels le catalogue est adapté. Il convient de procéder de la façon suivante:

1. Retirez cette page du classeur.
2. Découpez l'étiquette de **GAUCHE** (1), et apposez-la à l'arrière de **CE** catalogue.
3. Si il y a une étiquette à **DROITE** (2), vous pourrez l'apposer sur le classeur de l'édition **PRECEDENTE** du catalogue.
4. Détruire cette feuille.

1.

**CA134PD**Catalogue **SCA134PD-1EN1**

Valid from serial number:

**\*81370134\*-**





<b>CA134PD SN 81370134 -</b> .....	<b>2</b>
<b>Frame</b> .....	<b>4</b>
Frames and scrapers .....	6
Structure .....	8
<b>Drum</b> .....	<b>10</b>
Drum .....	12
<b>Engine</b> .....	<b>14</b>
Engine John Deere 5030TF270 .....	16
Cooling system .....	18
Combustion air system .....	20
Fuel system .....	22
Exhaust system .....	24
<b>Transmission</b> .....	<b>26</b>
Rear axle and wheels .....	28
<b>Hydraulic system</b> .....	<b>30</b>
Propulsion system Up to 81X70141 .....	32
Propulsion system From 81X70142 .....	34
Vibration system .....	36
Steering system .....	38
Brake system .....	40
<b>Electrical equipment</b> .....	<b>42</b>
Electric system .....	44
Control panel .....	46
<b>Drivers platform</b> .....	<b>48</b>
Drivers platform .....	50
Forward/Reverse control .....	52
Forward/Reverse control handle .....	54
Throttle control .....	56
Rops and fops .....	58
<b>Standard equipment</b> .....	<b>60</b>
Standard equipment .....	62

**DYNAPAC**  
CA134PD SN 81370134 -  
CA134120

Dynapac Compaction Equipment AB

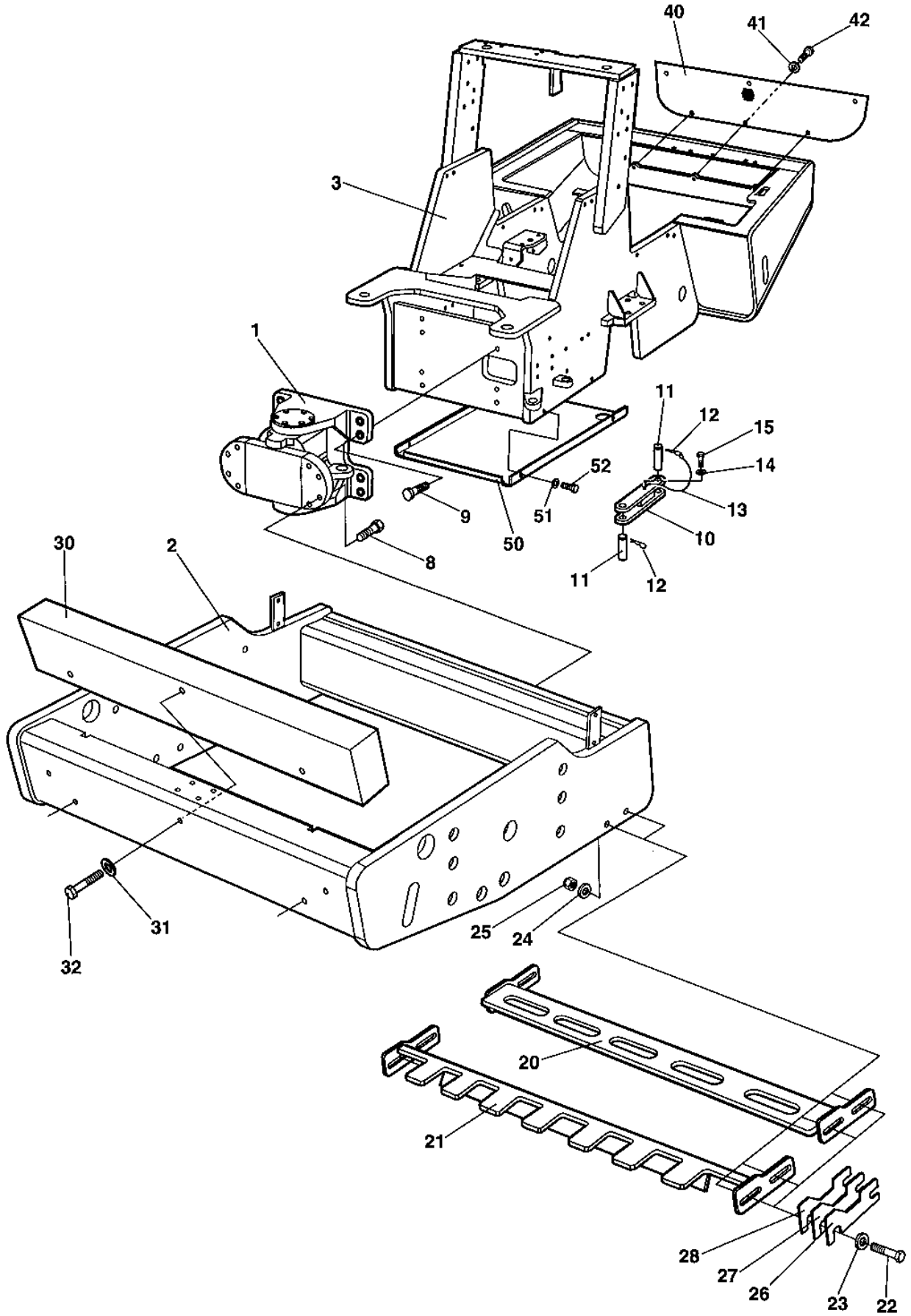


Ref. No.	Part No.	Rem.	Qty	Description	Code
10				Frame ( Page 4 )	
20				Drum ( Page 10 )	
30				Engine ( Page 14 )	
40				Transmission ( Page 26 )	
50				Hydraulic system ( Page 30 )	
60				Electrical equipment ( Page 42 )	
70				Drivers platform ( Page 48 )	
90				Standard equipment ( Page 60 )	



## Frame

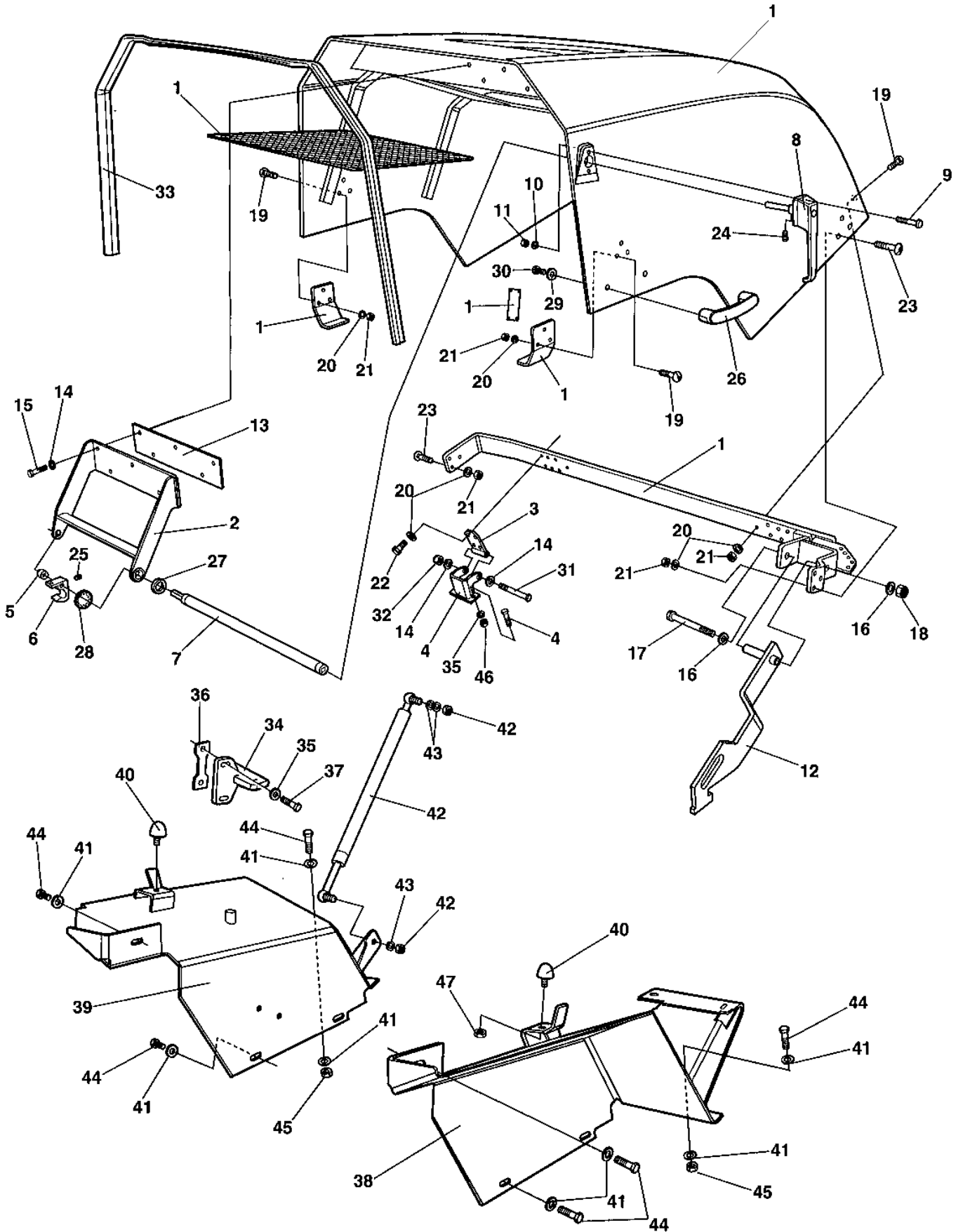
Ref. No.	Part No.	Rem.	Qty	Description	Code
10				Frames and scrapers ( Page 6 )	
20				Structure ( Page 8 )	



Ref. No.	Part No.	Rem.	Qty	Description	Code
1	377782		1	Steering hitch	
2	377788		1	Drum frame	
3	378125		1	Tractor frame	
8	500165		8	Screw M16-2,0x75 8,8	
9	500134		8	Screw M16x60	
10	374744		1	Safety rod	
11	379169		2	Locking pin	
12	635061		2	Hair clip	
13	343775		1	Wire	
14	904230		1	Washer 10,5x22x2	
15	500043		1	Screw M10x16H 8,8	
20				Not used on this model	
21	378523		1	Scraper	
22	500133		4	Screw M12x70	
23	904231		4	Washer 13x24x2	
24	904703		4	Washer 13x24x4	
25	586019		4	Lock nut M12	
26	378878	N		Shim T=3MM	
27	378879	N		Shim T=2MM	
28	378880	N		Shim T=1MM	
30	378875		1	Ballast weight, Option	
31	904232		3	Washer 17x30x3	
32	500082		3	Screw M16x70	
40	390425		1	Protection plate	
41	904228		6	Washer 6,4x12x1,5	
42	500013		6	Screw M6-1x16 8,8	
50	379666		1	Air inlet plate	
51	904230		4	Washer 10,5x22x2	
52	500048		4	Screw M10-1,5x20 8,8	

Structure

18345





## Structure

Ref. No.	Part No.	Rem.	Qty	Description	Code
1	390260		1	Hood Cpl.	
2	390269		1	Holder	
3	387148		2	Hinge	
4	387151		2	Hinge	
5	382335		1	Spacer sleeve	
6	382130		1	Hook	
7	390270		1	Shaft	
8	382165		1	Locking handle	
9	535011		2	Screw	
10	904281		2	Washer 5,3x10x1	
11	586001		2	Lock nut M5	
12	390255		1	Hood latch	
13	378433		1	Holder plate	
14	904229		9	Washer 8,4x16x1,5	
15	500021		5	Screw M8-1,25x25 8,8	
16	904231		2	Washer 13x24x2	
17	500267		1	Screw M12x120 8,8 FZB	
18	586019		1	Lock nut M12	
19	903923		12	Bolt, cup square neck M6x25H 4,6 FZB	
20	904228		26	Washer 6,4x12x1,5	
21	570004		18	Nut M6	
22	500012		8	Screw M6x12	
23	903856		6	Bolt M06x30	
24	516002		1	Set screw	
25	516049		1	Set screw	
26	387948		1	Handle	
27	904574		1	Bushing	
28	792257		1	Washer 25x41,4 FZB	
29	904640		2	Washer 8,4x22x3	
30	500019		2	Screw M8-1,25x16 8.8	
31	500068		2	Screw M08x65	
32	586003		2	Lock nut M8	
33	792258	A	1XL	Edge trim	
34	382131		1	Lock clamp	
35	904640		6	Washer 8,4x22x3	
36	378959		1	Holder	
37	500047		2	Screw M8-1,25x35 8,8	
38	390298		1	Fender, Left	
39	390299		1	Fender, Right	
40	925629		2	Shock absorber	
41	904557		10	Washer 10,5x22x4	
42	390475	B	1	Gas spring	
43	904230		3	Washer 10,5x22x2	
44	500030		8	Screw M10-1,5x35H 8,8	
45	570006		2	Nut M10	
46	570005		4	Nut M8	
47	573008		2	Nut M8	

A) L=2,150M

B) 200N

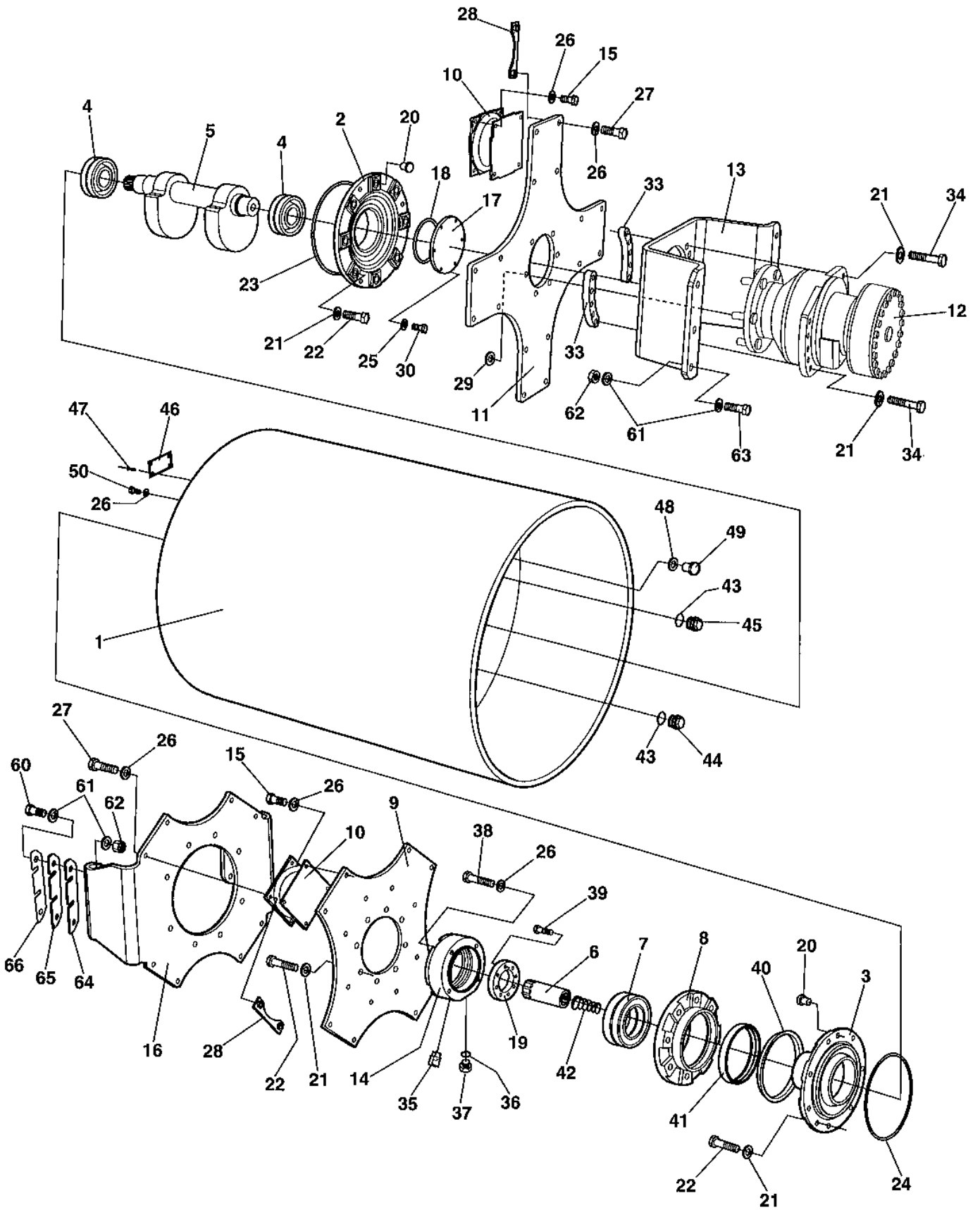


Drum

Ref. No.	Part No.	Rem.	Qty	Description	Code
10				Drum ( Page 12 )	

Drum

18334



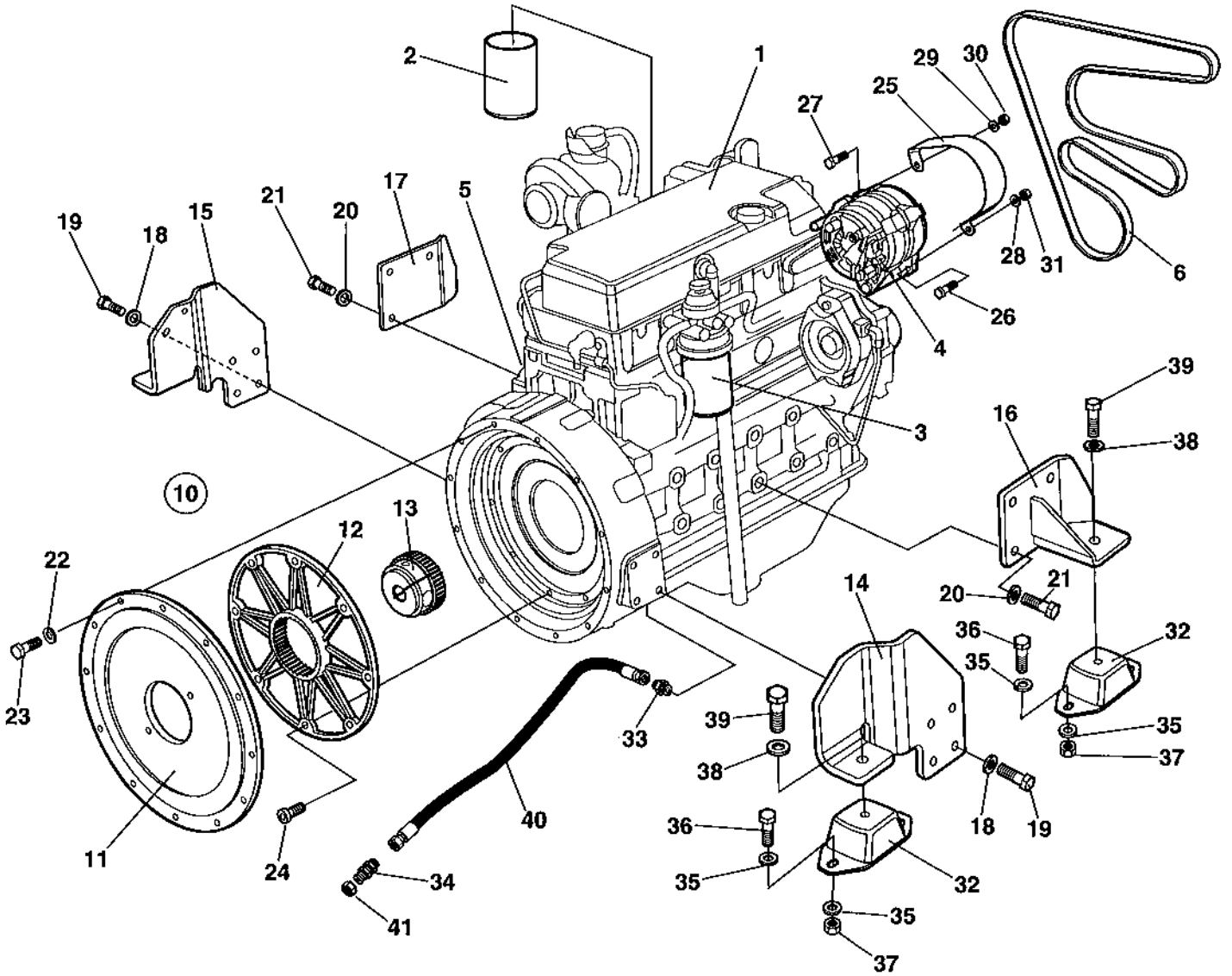
Drum

Ref. No.	Part No.	Rem.	Qty	Description	Code
1	378443		1	Drum	
2	374565		1	Bearing housing	
3	385133		1	Bearing housing	
4	114089		2	Spherical roller bearing	
5	378000		1	Eccentric shaft	
6	381027		1	Splined sleeve	
7	116041		1	Taper roller bearing	
8	343318		1	Bearing housing	
9	390522		1	Holder plate	
10	336742		8	Shock absorber	
11	390523		1	Drive disc	
12		A	1	Propulsion motor	
13	378003		1	Holder	
14	384397		1	Connector	
15	500051		32	Screw M12-1,75x25 8,8	
16	390521		1	Holder plate	
17	821460		1	Bearing cover	
18	160040		1	O-ring	
19	381028		1	Bearing cover	
20	900775		6	Plug	
21	904232		34	Washer 17x30x3	
22	500070		24	Screw M16x50	
23	160344		1	O-ring	
24	160093		1	O-ring	
25	904230		6	Washer 10,5x22x2	
26	904231		69	Washer 13x24x2	
27	500037		32	Screw M12-1,75x35 8,8	
28	383436		16	Holder	
29	904793		6	Washer 19x34x3	
30	500028		6	Screw M10-1,5x25 8,8	
33	378488		2	Mounting plate	
34	500076		10	Screw M16x55	
35	926736		1	Breather M14	
36	162018		1	Sealing	
37	370231		1	Plug	
38	500133		4	Screw M12x70	
39	791933		8	Screw M8x40	
40	929447		1	V-ring	
41	386272		1	Sealing	
42	349715		1	Spring	
43	162017		2	Seal ring M30	
44	232210		1	Plug	
45	343744		1	Magnetic plug M30	
46	343801		1	Sign plate	
47	527002		4	Drive screw	
48	162027		1	Sealing M12	
49	344196		1	Plug M12	
50	500163		1	Screw M12x16	
52	500046		2	Screw M12x30H 8,8 FZB	
60	500165		4	Screw M16-2,0x75 8,8	
61	904232		20	Washer 17x30x3	
62	586021		10	Nut M16	
63	500058		6	Screw M16-2,0x65 8,8	
64	390549		N	Shim T=5MM	
65	390550		N	Shim T=3MM	
66	390551		N	Shim T=1MM	

A) See section "Hydraulic propulsion".



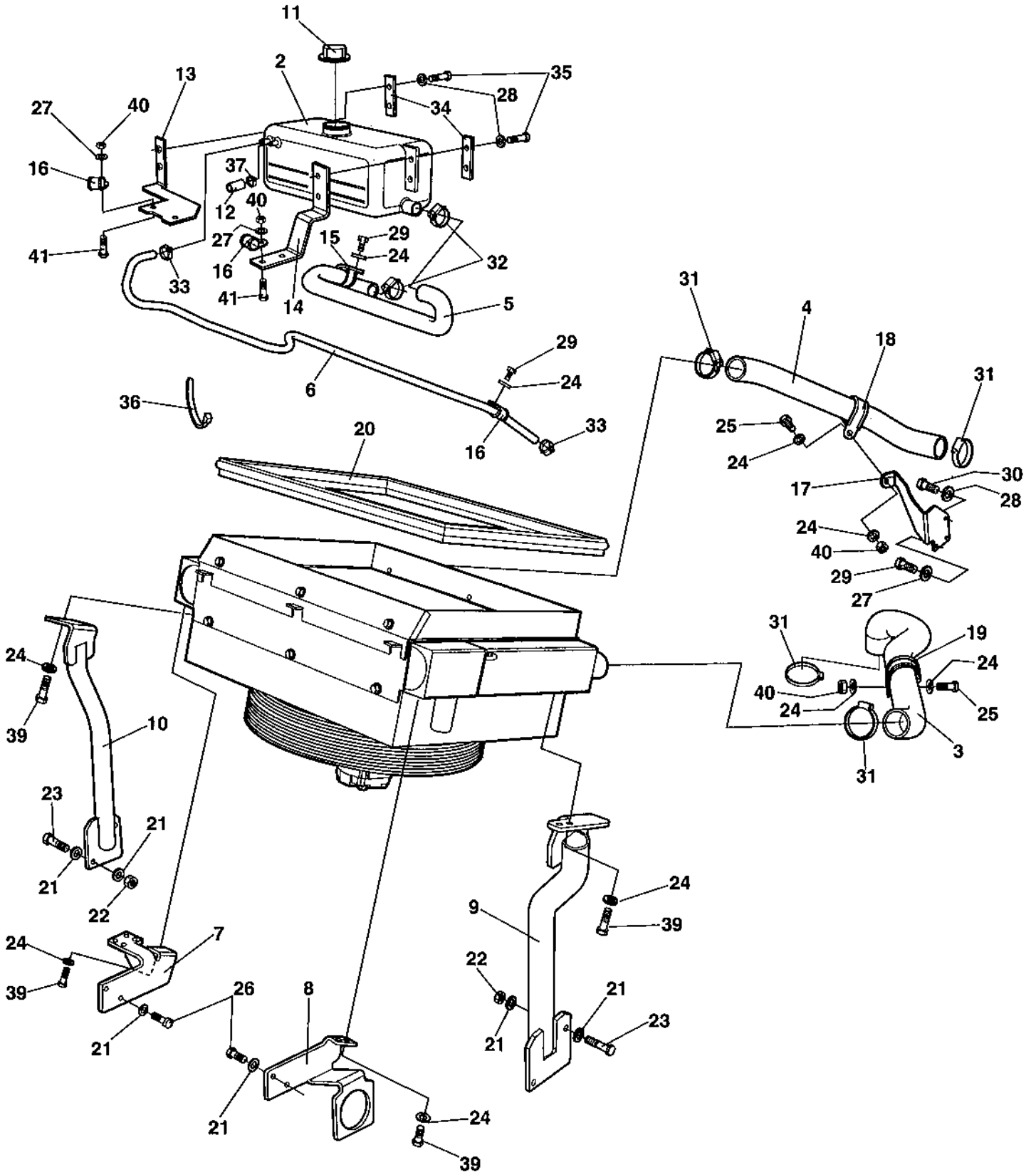
Ref. No.	Part No.	Rem.	Qty	Description	Code
10				Engine John Deere 5030TF270 ( Page 16 )	
20				Cooling system ( Page 18 )	
30				Combustion air system ( Page 20 )	
40				Fuel system ( Page 22 )	
50				Exhaust system ( Page 24 )	





## Engine John Deere 5030TF270

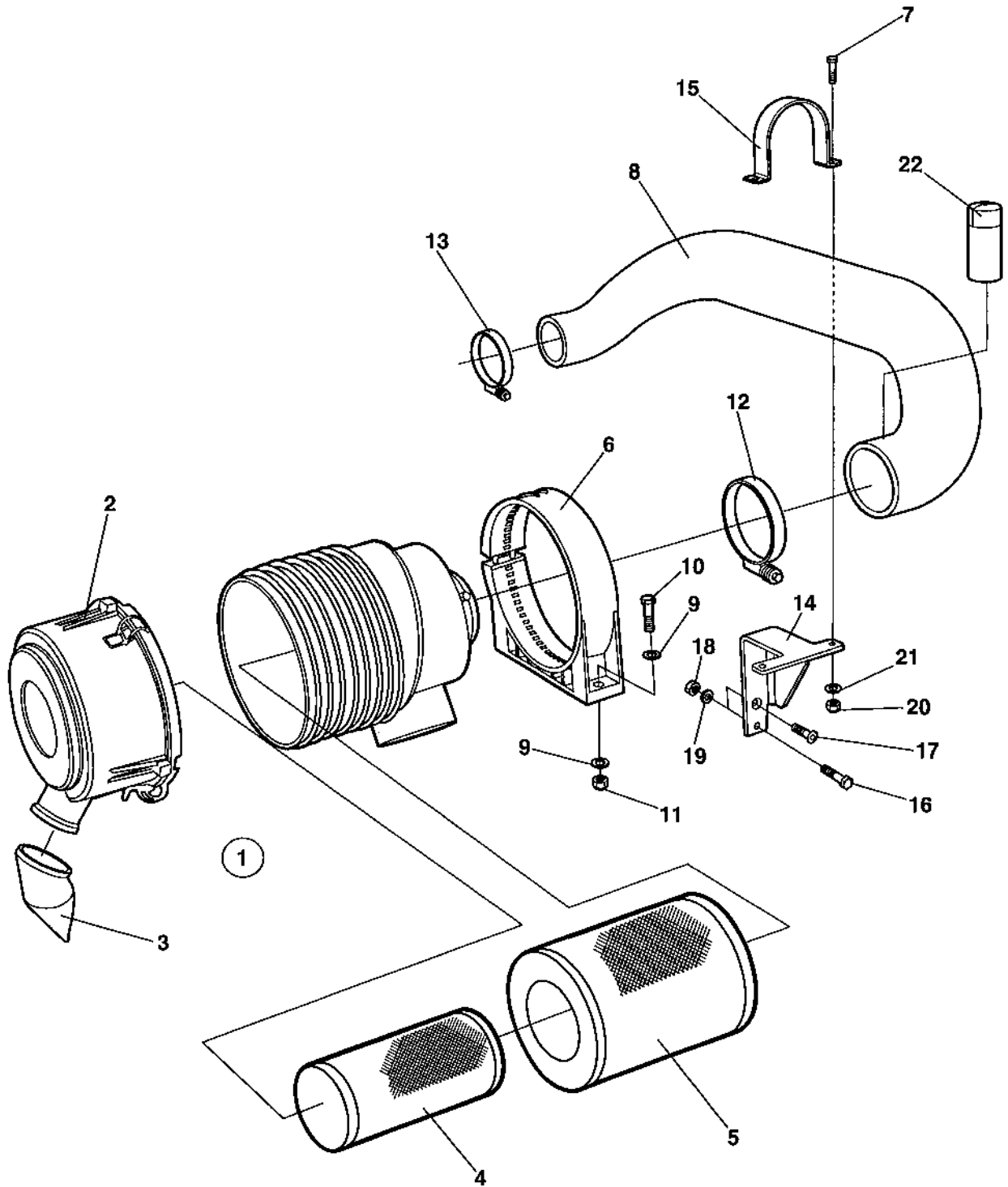
Ref. No.	Part No.	Rem.	Qty	Description	Code
1	378227		1	Engine John Deere 5030TF270	
2	940985		1	.Oil filter	
3	940986		1	.Fuel filter	
4	940987		1	.Alternator	
5	940988		1	.Starter	
6	940989		1	.V-belt	
10	378409		1	Coupling cpl	
11	390592		1	.Engine plate	
12	390593		1	.Flange	
13	390594		1	.Hub	
14	378640		1	Engine bracket, Front left	
15	378641		1	Engine bracket, Front right	
16	378642		1	Engine bracket, Rear left	
17	378643		1	Engine bracket, Rear right	
18	904231		8	Washer 13x24x2	
19	500037		8	Screw M12-1,75x35 8,8	
20	904232		6	Washer 17x30x3	
21	500070		6	Screw M16x50	
22	904637		12	Washer 10x18x2	
23	500029		12	Screw M10-1,5x30 8,8	
24	509012		8	Screw	
25	378664		1	Protection cover	
26	500022		1	Screw M8-1,25x30 8,8	
27	500075		1	Screw M6-1,0x25 8.8	
28	904229		1	Washer 8,4x16x1,5	
29	904228		1	Washer 6,4x12x1,5	
30	904563		1	Lock nut M6	
31	791182		1	Lock nut M8	
32	387129		4	Shock absorber	
33	791634		1	Adapter	
34	791830		1	Bulkhead union	
35	904703		16	Washer 13x24x4	
36	500194		8	Screw M12x40H 8.8	
37	586019		8	Lock nut M12	
38	904232		4	Washer 17x30x3	
39	500070		4	Screw M16x50	
40	378622		1	Oil drain hose	
41	791820		1	Plug	



## Cooling system

Ref. No.	Part No.	Rem.	Qty	Description	Code
1	390310		1	Radiator Cpl	
2	387130		1	Expansion tank	
3	390252		1	Coolant hose	
4	390251		1	Coolant hose	
5	390250		1	Coolant hose	
6	379601		1	Rubber hose	
7	390390		1	Bracket, Right	
8	390391		1	Bracket, Left	
9	390392		1	Bracket, Left	
10	390393		1	Bracket, Right	
11	903713		1	Cap	
12	791423		1	Protecting cover	
13	390244		1	Bracket	
14	390245		1	Bracket	
15	921050		1	Clamp	
16	921072		3	Clamp	
17	390383		1	Bracket	
18	904352		1	Clamp	
19	903703		1	Clamp	
20	288129	A	1XL	Edge trim	
21	904230		12	Washer 10,5x22x2	
22	570006		4	Nut M10	
23	500032		4	Screw M10 x 55	
24	904640		14	Washer 8,4x22x3	
25	500020		2	Screw M8-1,25x22 8,8	
26	500028		4	Screw M10-1,5x25 8,8	
27	904229		6	Washer 8,4x16x1,5	
28	904228		5	Washer 6,4x12x1,5	
29	500019		4	Screw M8-1,25x16 8.8	
30	500013		1	Screw M6-1x16 8,8	
31	313010		4	Hose clamp	
32	313006		2	Hose clamp	
33	313075		2	Hose clamp	
34	381413		2	Washer	
35	500040		4	Screw M6-1x20 8,8	
36	925802		N	Cable ties L=142 mm	
37	313032		1	Clamp	
39	500021		8	Screw M8-1,25x25 8,8	
40	570005		6	Nut M8	
41	500023		4	Screw M8-1,25x40 8,8	

A) L=2200MM



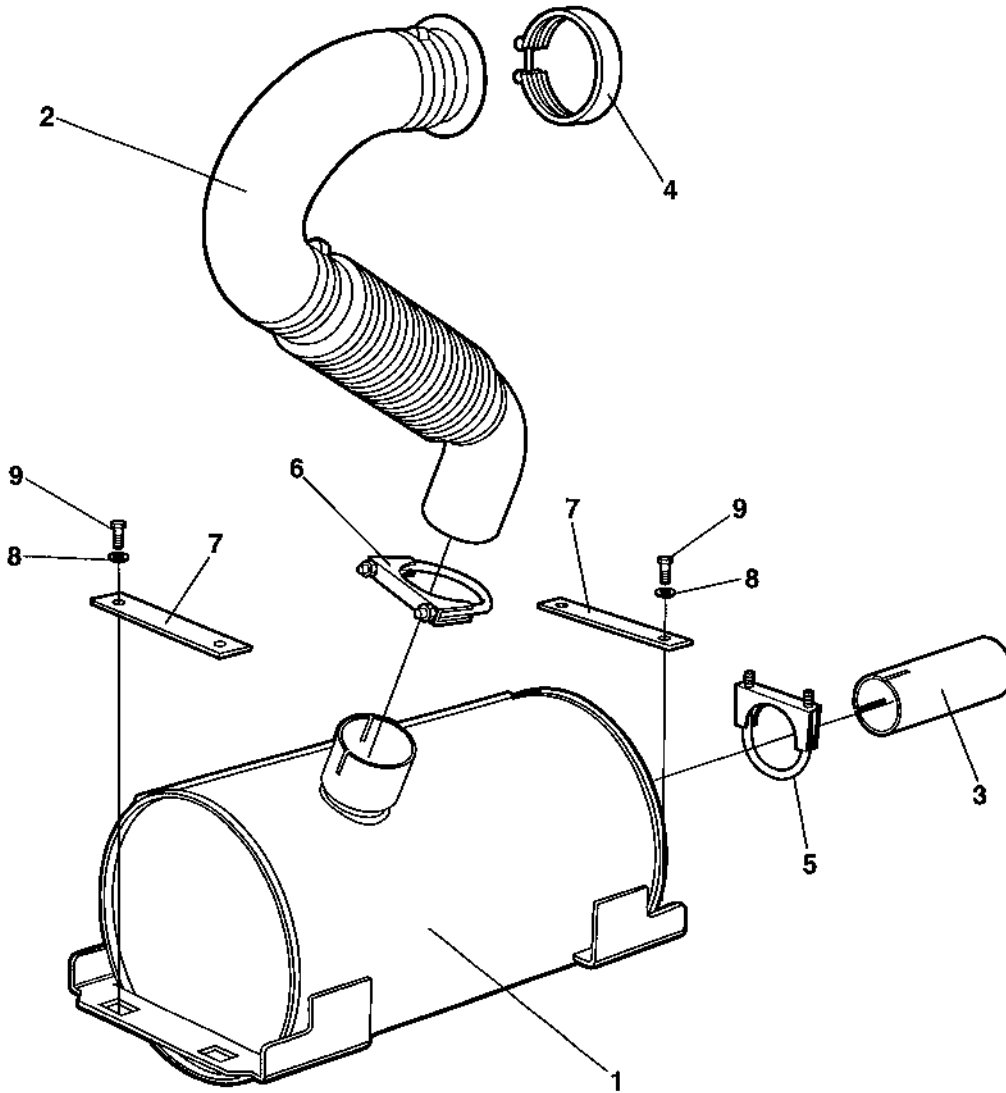
Ref. No.	Part No.	Rem.	Qty	Description	Code
1	378657		1	Air cleaner, cpl	
2	378733		1	.Cover	
3	378734		1	.Valve	
4	378735		1	.Air filter element, Safety	
5	378736		1	.Air filter element, Main	
6	378658		1	Pipe clamp	
7	500015		2	Screw M6-1x30 8,8	
8	390381		1	Air intake hose	
9	904640		4	Washer 8,4x22x3	
10	500047		2	Screw M8-1,25x35 8,8	
11	586003		2	Lock nut M8	
12	378712		1	Clamp	
13	386966		1	Hose clamp	
14	378925		1	Bracket	
15	378926		1	Bracket	
16	500024		1	Screw M8x45	
17	927637		1	Screw M8x35	
18	904229		2	Washer 8,4x16x1,5	
19	570005		2	Nut M8	
20	570004		2	Nut M6	
21	904228		2	Washer 6,4x12x1,5	
22	801981		1	Indicator	



## Fuel system

Ref. No.	Part No.	Rem.	Qty	Description	Code
1	378298		1	Fuel tank	
2	378574		1	Level sender	
3	378589		1	Gasket	
4	378588		1	Fuel pipe	
5	747282		2	Copper washer 14x20x1,5	
6	330171		1	Hollow screw	
7	904698		10	Washer 4,3x8x0,8	
8	903236		11	Screw, Thread rolling K40x20	
9	387682		1	Filler neck	
10	390389		1	Filling hose	
11	378585		2	Clamp	
12	904557		4	Washer 10,5x22x4	
13	500029		4	Screw M10-1,5x30 8,8	
14	313023		1	Hose clamp	
15	904228		4	Washer 6,4x12x1,5	
16	500075		4	Screw M6-1,0x25 8.8	
17	388557		1	Fuel cap	
18	586002		4	Lock nut M6	
19	380262		1	Fuel hose	
20	904984	A	1XL	Fuel hose	
21	313001		3	Hose clamp	
22	904346		1	Clamp	
23	904229		7	Washer 8,4x16x1,5	
24	500021		7	Screw M8-1,25x25 8,8	
25	904137		1	Protection cap	
26	313032		1	Clamp	
27	378957		1	Cover	
28	927974		1	Washer 5x19x1	
29	379464		1	Protection plate	
31	570005		6	Nut M8	
32	313038		1	Hose clamp	
33	904556		6	Washer 8,4x16x3,0	

A) L=1000MM



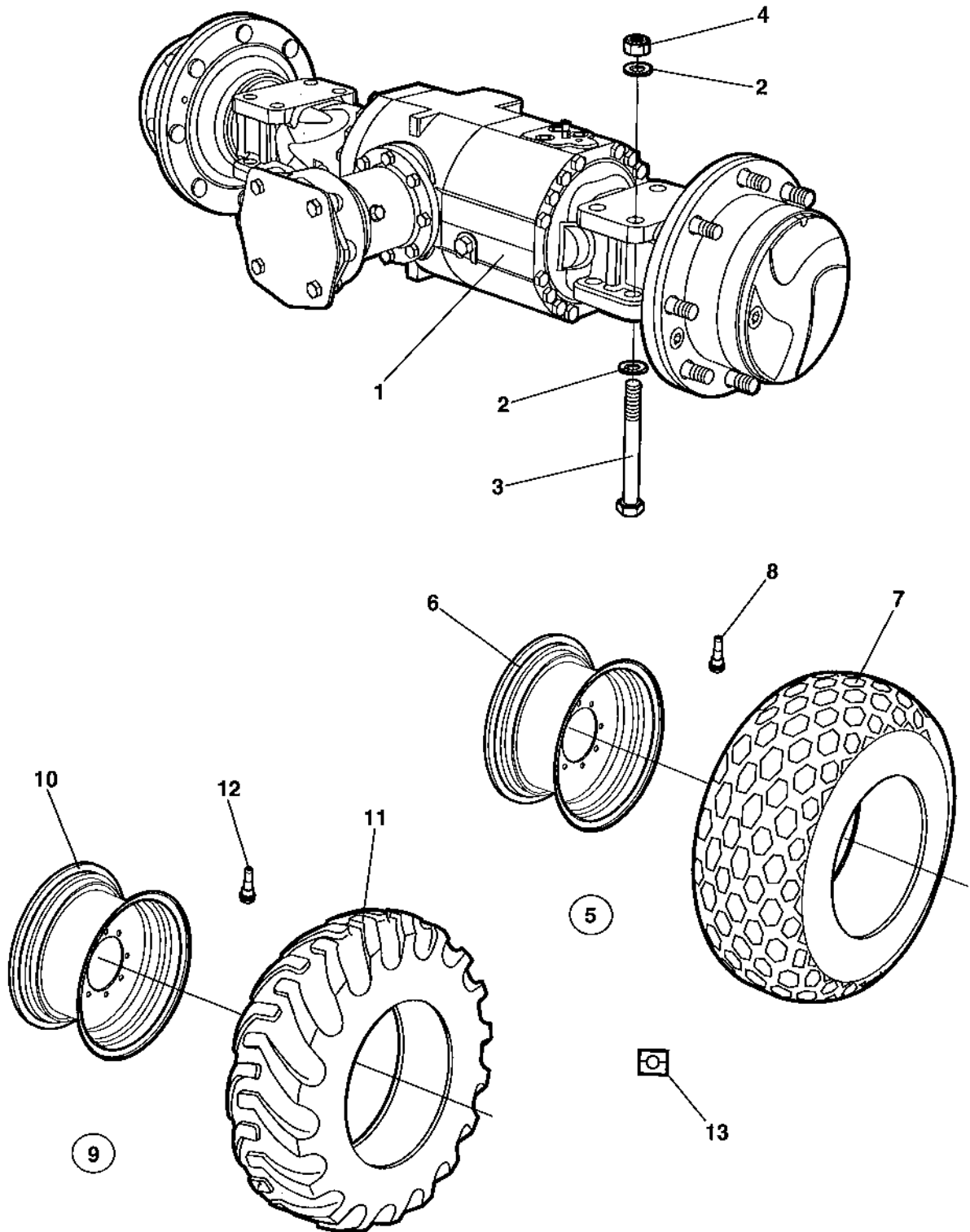


## Exhaust system

Ref. No.	Part No.	Rem.	Qty	Description	Code
1	390340		1	Muffler	
2	390341		1	Exhaust pipe	
3	378294		1	Exhaust pipe	
4	378644		1	V-band clamp	
5	313036		1	Clamp	
6	814261		1	Clamp	
7	379184		2	Washer	
8	904229		4	Washer 8,4x16x1,5	
9	500053		4	Screw M8-1,25x20 8,8	



Ref. No.	Part No.	Rem.	Qty	Description	Code
10				Rear axle and wheels ( Page 28 )	



## Rear axle and wheels

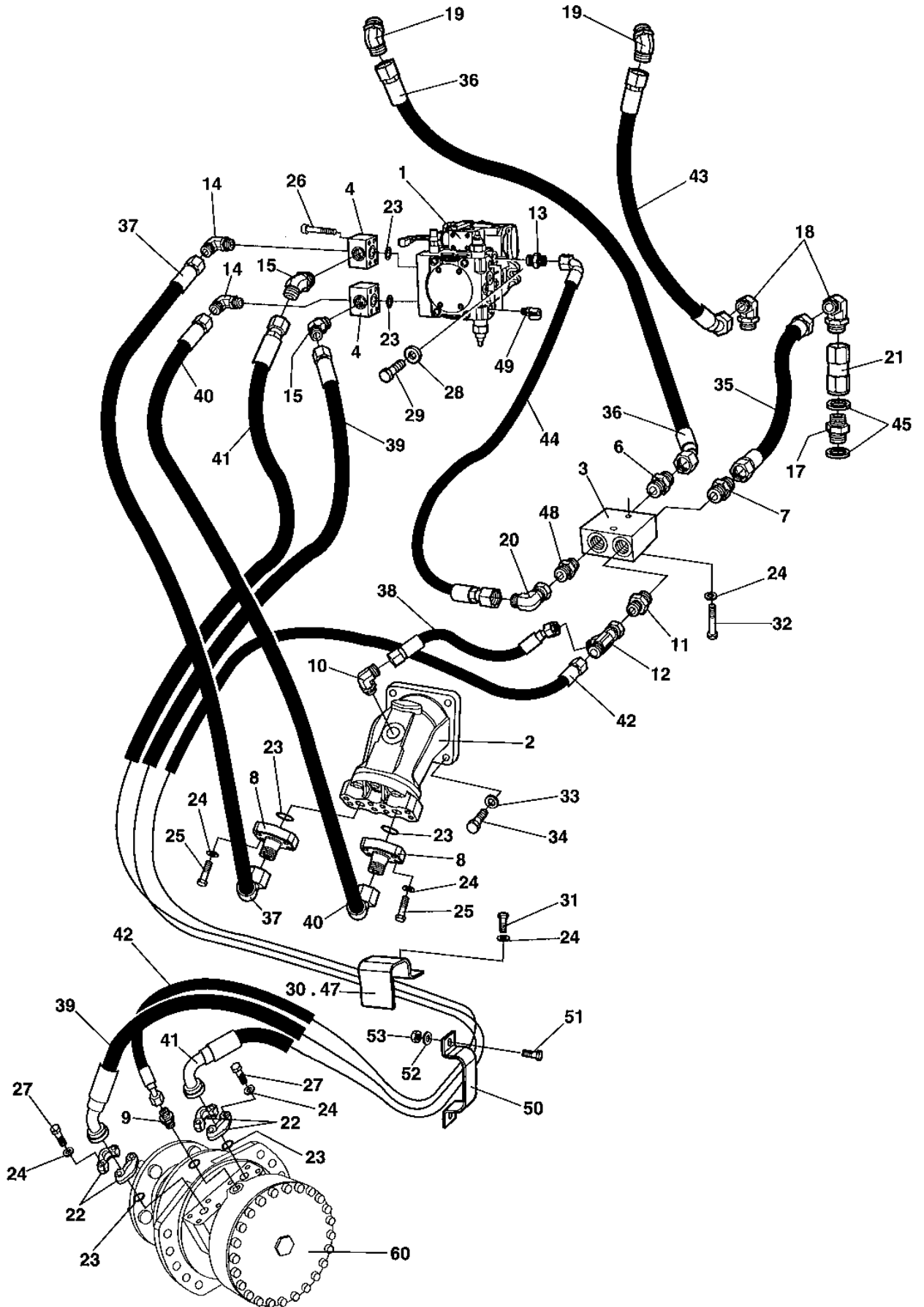
Ref. No.	Part No.	Rem.	Qty	Description	Code
1	378165		1	Rear axle	
2	904233		16	Washer 21x36x3	
3	500226		8	Screw M20-2.5x180 8,8	
4	901145		8	Lock nut M20-10	
5	390662		1	All weather wheel Cpl. Right	
	390663		1	All weather wheel Cpl. Left	
	390666	A	1	All weather wheel Cpl. Right	
	390667	A	1	All weather wheel Cpl. Left	
6	390670		1	.Rim	
7	390671		1	.Tyre	
8	792261		1	.Air charging valve Straight	
9	390664		1	Tractor wheel Cpl. Right	
	390665		1	Tractor wheel Cpl. Left	
	390668	A	1	Tractor wheel Cpl. Right	
	390669	A	1	Tractor wheel Cpl. Left	
10	390670		1	.Rim	
11	390672		1	.Tyre	
12	792261		1	.Air charging valve Straight	
13	903985	B	1	Decal "SAFETY", "TYRE IN BALLAST"	

- A) Liquid filled, Option.  
 B) Used with Liquid filled wheels.



## Hydraulic system

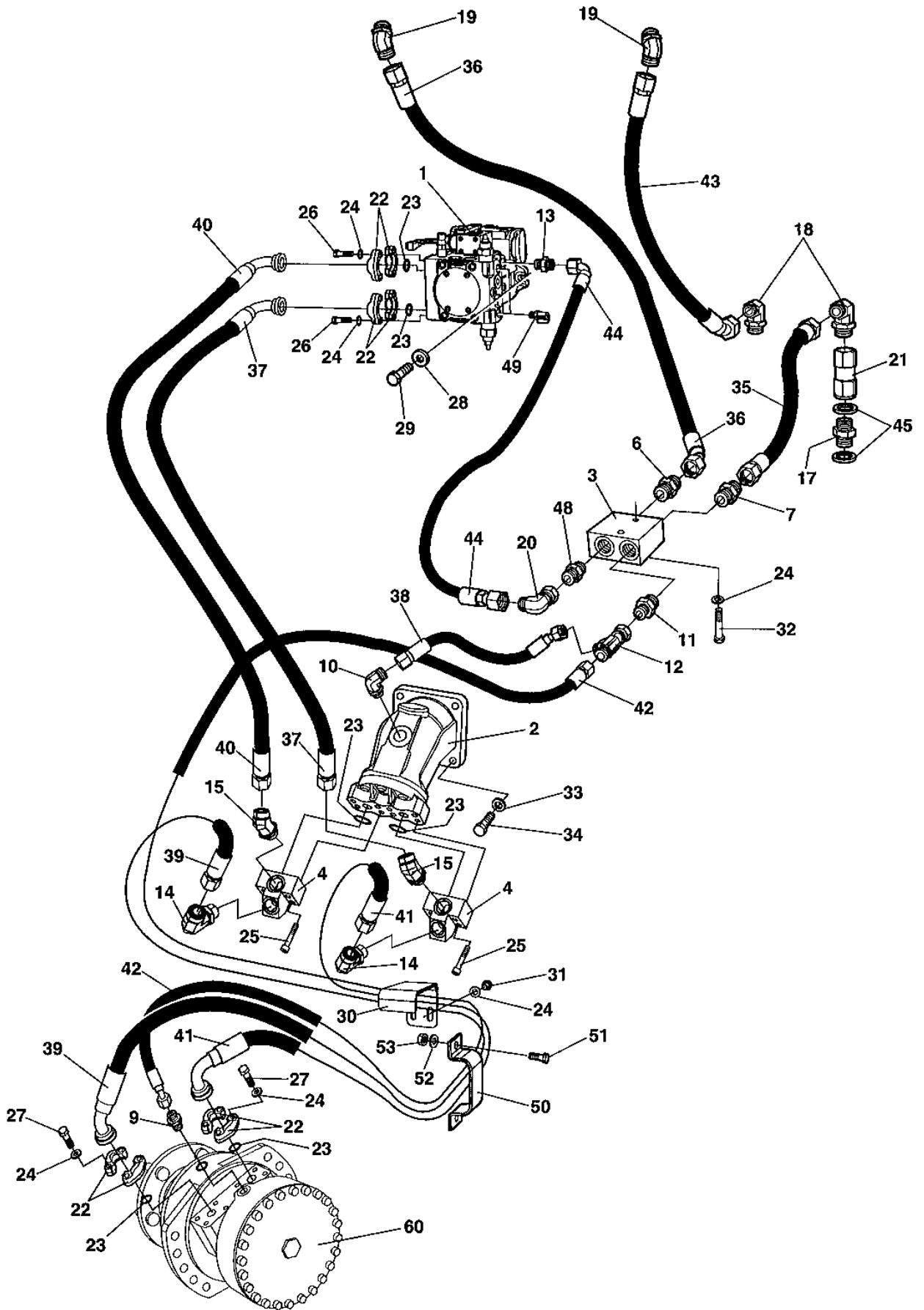
Ref. No.	Part No.	Rem.	Qty	Description	Code
10				Propulsion system Up to 81X70141 ( Page 32 )	
11				Propulsion system From 81X70142 ( Page 34 )	
20				Vibration system ( Page 36 )	
30				Steering system ( Page 38 )	
40				Brake system ( Page 40 )	





## Propulsion system

Ref. No.	Part No.	Rem.	Qty	Description	Code
1	378164		1	Propulsion pump	
2	378166	A	1	Propulsion motor	
3	345243		1	Connection block	
4	378405		2	Flange coupling	
6	791318		1	Straight connector	
7	791823		1	Straight connector orfs	
8	791857		2	Straight flange connector	
9	791799		1	Straight connector orfs	
10	791841		1	Elbow 90 orfs	
11	791850		1	Straight connector	
12	791798		1	T-connector	
13	904641		1	Connector	
14	791549		2	Elbow adapter 90	
15	792157		2	Elbow adapter 45	
17	792264		1	Straight connector	
18	791844		2	Elbow adapter 90	
19	791808		2	Elbow adapter 45	
20	904766		1	Elbow adapter 90	
21	374059		1	Check valve	
22	929226		4	Flange half	
23	904773		6	O-ring	
24	904637		19	Washer 10x18x2	
25	502037		8	Screw 3/8"-16UNCx1.1/2" 8.8	
26	508074		8	Screw M10-1,5x50 8,8	
27	500030		8	Screw M10-1,5x35H 8,8	
28	904213		2	Washer 13x30x4	
29	500037		2	Screw M12-1,75x35 8,8	
30	378670		1	Hose clamp	
31	500043		1	Screw M10x16H 8,8	
32	500109		2	Screw M10-1,5x65 8,8	
33	904214		4	Washer 15x30x4	
34	500116		4	Screw M14x50	
35	483825		1	Hydraulic hose	
36	483826		1	Hydraulic hose	
37	483833		1	Hydraulic hose	
38	483830		1	Hydraulic hose	
39	483861		1	Hydraulic hose	
40	483833		1	Hydraulic hose	
41	483834		1	Hydraulic hose	
42	483838		1	Hydraulic hose	
43	483842		1	Hydraulic hose	
44	483871		1	Hydraulic hose	
45	162008		2	Seal washer	
47	202043	B	1XL	Rubber strip	
48	904578		1	Connector	
49	901157		2	Measuring nipple	
50	379057		1	Bracket	
51	500053		2	Screw M8-1,25x20 8,8	
52	904229		2	Washer 8,4x16x1,5	
53	570005		2	Nut M8	
60	378143	C	1	Propulsion motor	
A)	Rear axle				
B)	L=0,055M				
C)	Drum				

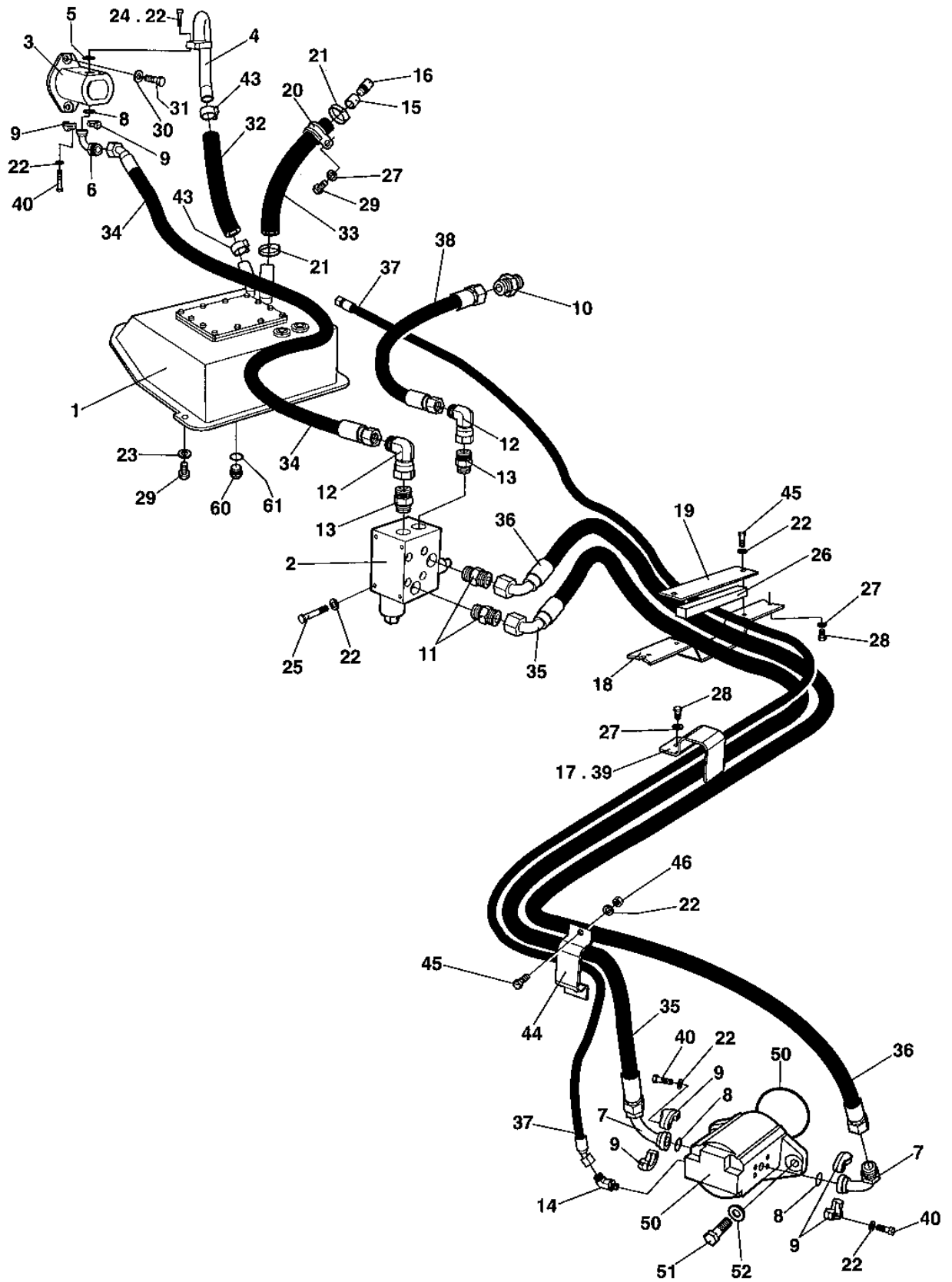


## Propulsion system

Ref. No.	Part No.	Rem.	Qty	Description	Code
1	378164		1	Propulsion pump	
2	378166	A	1	Propulsion motor	
3	345243		1	Connection block	
4	392552		2	Hydraulic block	
6	791318		1	Straight connector	
7	791823		1	Straight connector orfs	
9	791799		1	Straight connector orfs	
10	791841		1	Elbow 90 orfs	
11	791850		1	Straight connector	
12	791798		1	T-connector	
13	904641		1	Connector	
14	791549		2	Elbow adapter 90	
15	792157		2	Elbow adapter 45	
17	792264		1	Straight connector	
18	791844		2	Elbow adapter 90	
19	791808		2	Elbow adapter 45	
20	904766		1	Elbow adapter 90	
21	374059		1	Check valve	
22	929226		8	Flange half	
23	904773		6	O-ring	
24	904637		20	Washer 10x18x2	
25	509035		8	Screw	
26	500031		8	Screw M10-1,5x40 8,8	
27	500030		8	Screw M10-1,5x35H 8,8	
28	904703		2	Washer 13x24x4	
29	500037		2	Screw M12-1,75x35 8,8	
30	391440		1	Bracket	
31	500043		2	Screw M10x16H 8,8	
32	500109		2	Screw M10-1,5x65 8,8	
33	904214		4	Washer 15x30x4	
34	500116		4	Screw M14x50	
35	483825		1	Hydraulic hose	
36	483826		1	Hydraulic hose	
37	483944		1	Hydraulic hose	
38	483983		1	Hydraulic hose	
39	483950		1	Hydraulic hose	
40	483944		1	Hydraulic hose	
41	483951		1	Hydraulic hose	
42	483838		1	Hydraulic hose	
43	483842		1	Hydraulic hose	
44	483871		1	Hydraulic hose	
45	162008		2	Seal washer	
48	904570		1	Straight connector orfs	
49	901157		2	Measuring nipple	
50	379057		1	Bracket	
51	500053		2	Screw M8-1,25x20 8,8	
52	904229		2	Washer 8,4x16x1,5	
53	570005		2	Nut M8	
60	378143	B	1	Propulsion motor	

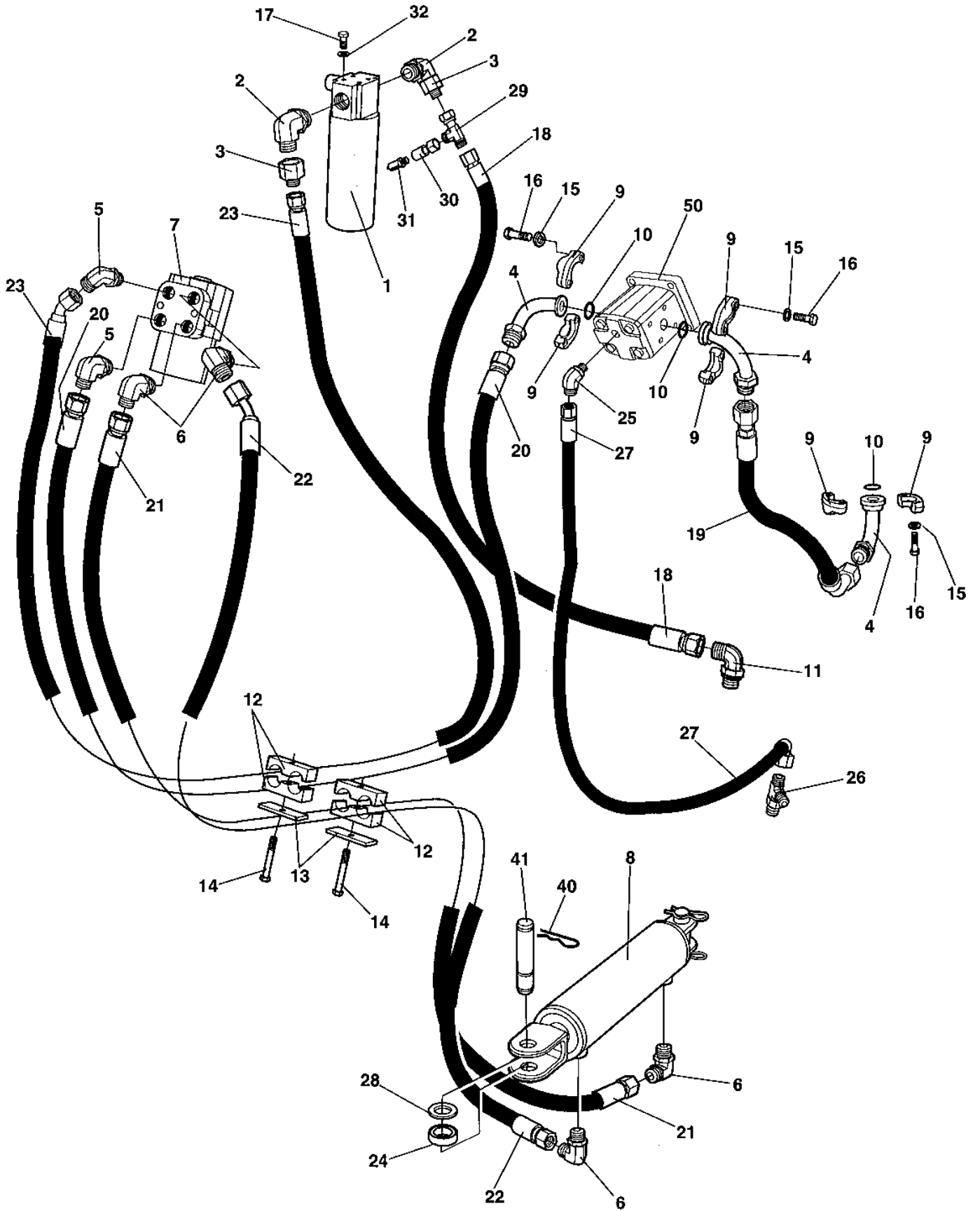
A) Rear axle

B) Drum



## Vibration system

Ref. No.	Part No.	Rem.	Qty	Description	Code
1	378617		1	Hydraulic oil tank	
	922552		1	.Oil level glass	
2	378149		1	Vibration valve	
3	378155		1	Steering pump	
4	378445		1	Flange fitting	
5	813429		1	O-ring	
6	792199		1	Flange fitting	
7	792198		2	Flange fitting	
8	904774		3	O-ring	
9	232145		6	Split flange	
10	791823		1	Straight connector orfs	
11	791632		2	Straight connector orfs	
12	904584		2	Elbow connector 90	
13	791853		2	Straight connector orfs	
14	791836		1	Elbow adapter 45	
15	357139		1	Connector	
16	357138		1	Ventilating filter	
17	378670		1	Hose clamp	
18	378668		1	Hose clamp	
19	378669		1	Hose clamp	
20	921022		1	Hose clamp	
21	313008		2	Hose clamp	
22	904229		22	Washer 8,4x16x1,5	
23	904557		2	Washer 10,5x22x4	
24	508048		4	Screw M08x030H 8.8	
25	500024		2	Screw M8x45	
26	202043	A	1XL	Rubber strip	
27	904230		4	Washer 10,5x22x2	
28	500043		3	Screw M10x16H 8,8	
29	500028		3	Screw M10-1,5x25 8,8	
30	904703		2	Washer 13x24x4	
31	500197		2	Screw 12x90	
32	792167		1	Hydraulic hose	
33	792168		1	Hydraulic hose	
34	483928		1	Hydraulic hose	
35	483982		1	Hydraulic hose	
36	483840		1	Hydraulic hose	
37	483873		1	Hydraulic hose	
38	483850		1	Hydraulic hose	
39	202043	B	1XL	Rubber strip	
40	500022		12	Screw M8-1,25x30 8,8	
43	902295		2	Clamp	
44	379057		1	Bracket	
45	500053		4	Screw M8-1,25x20 8,8	
46	570005		2	Nut M8	
50	378621		1	Vibration motor	
			1	O-ring	
51	500046		2	Screw M12x30H 8,8 FZB	
52	904231		2	Washer 13x24x2	
60	232039		1	Plug G3/4	
61	791120		1	Sealing washer G3/4	
A)	L=0,220M				
B)	L=0,055M				

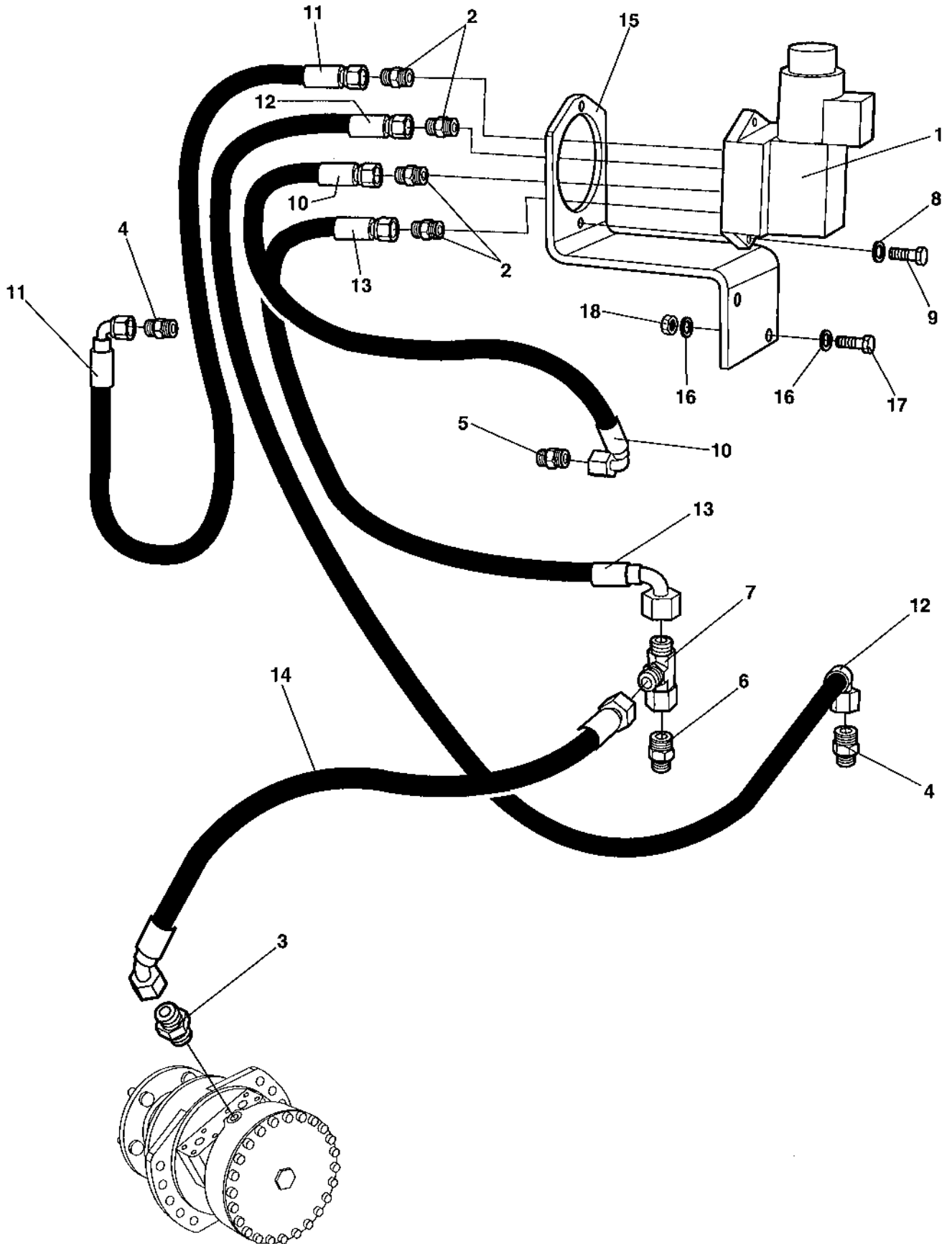


## Steering system

Ref. No.	Part No.	Rem.	Qty	Description	Code
1	359550		1	Hydraulic oil filter, cpl	
	359551		1	.Filter head	
	359552		1	.Cleaning filter element Maximum 50 hours use	
	372229	A	1	.Hydraulic oil filter element	
2	791321		2	Elbow adapter 90	
3	791791		2	Reducer	
4	792198		3	Flange fitting	
5	791841		2	Elbow 90 orfs	
6	791840		4	Elbow adapter 90, O-ring with swivel	
7	378153		1	Pilot valve	
8	378187		1	Steering cylinder	
9	232145		6	Split flange	
10	904774		3	O-ring	
11	792151		1	Elbow adapter 90	
12	903456		2	Pipe clamp	
13	287294		2	Cover plate	
14	500067		2	Screw M8-1,25x55 8,8	
15	904229		12	Washer 8,4x16x1,5	
16	500022		12	Screw M8-1,25x30 8,8	
17	500048		4	Screw M10-1,5x20 8,8	
18	483722		1	Hydraulic hose	
19	483843		1	Hydraulic hose	
20	483844		1	Hydraulic hose	
21	483845		1	Hydraulic hose	
22	483846		1	Hydraulic hose	
23	483849		1	Hydraulic hose	
24	379069		2	Bearing	
25	791836		1	Elbow adapter 45	
26	791862		1	Tee-connector	
27	483872		1	Hydraulic hose	
28	379220		2	Sealing washer	
29	791798		1	T-connector	
30	792219		1	Straight connector	
31	923405		1	Measuring nipple	
32	904230		4	Washer 10,5x22x2	
40				Hair clip	
41				Shaft	
50		B		Fan motor	

A) Spare part Filter element for ordinary service.

B) See Cooling system.





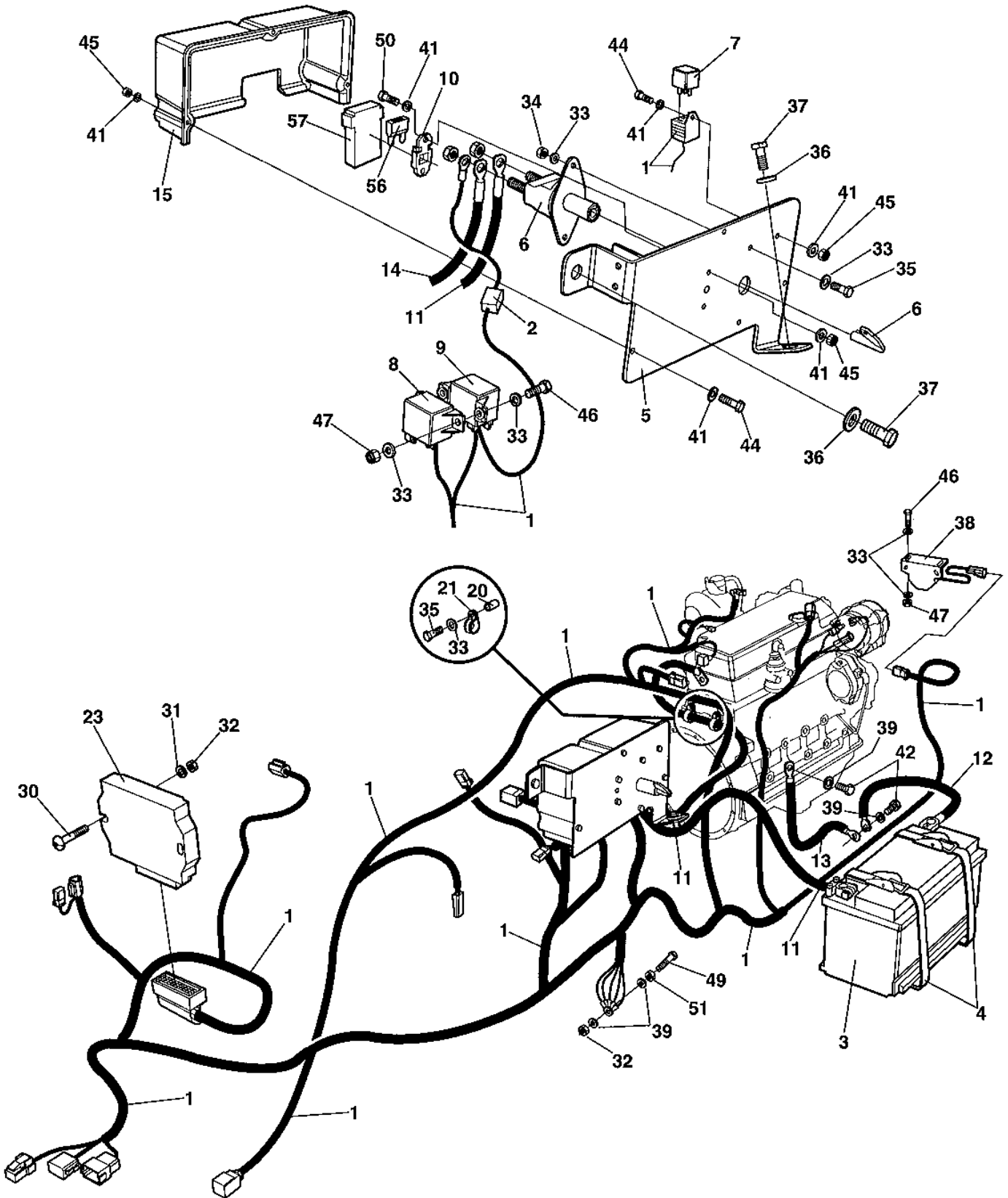
## Brake system

Ref. No.	Part No.	Rem.	Qty	Description	Code
1	378537		1	Brake valve, cpl	
2	791542		4	Straight connector	
3	791914		1	Straight connector orfs	
4	791537		2	Straight connector	
5	791538		1	Straight connector	
6	791536		1	Straight connector	
7	791414		1	T-connection, O-ring with swivel	
8	904228		2	Washer 6,4x12x1,5	
9	500040		2	Screw M6-1x20 8,8	
10	483835	A	1	Hydraulic hose	
11	483836	B	1	Hydraulic hose	
12	483837	C	1	Hydraulic hose	
13	483847	D	1	Hydraulic hose	
14	483848		1	Hydraulic hose	
15	379434		1	Bracket	
16	904229		4	Washer 8,4x16x1,5	
17	500021		2	Screw M8-1,25x25 8,8	
18	570005		2	Nut M8	

- A) Mounted into P-port on Brake valve.
- B) Mounted into A-port on Brake valve.
- C) Mounted into T-port on Brake valve.
- D) Mounted into B-port on Brake valve.



Ref. No.	Part No.	Rem.	Qty	Description	Code
10				Electric system ( Page 44 )	
20				Control panel ( Page 46 )	



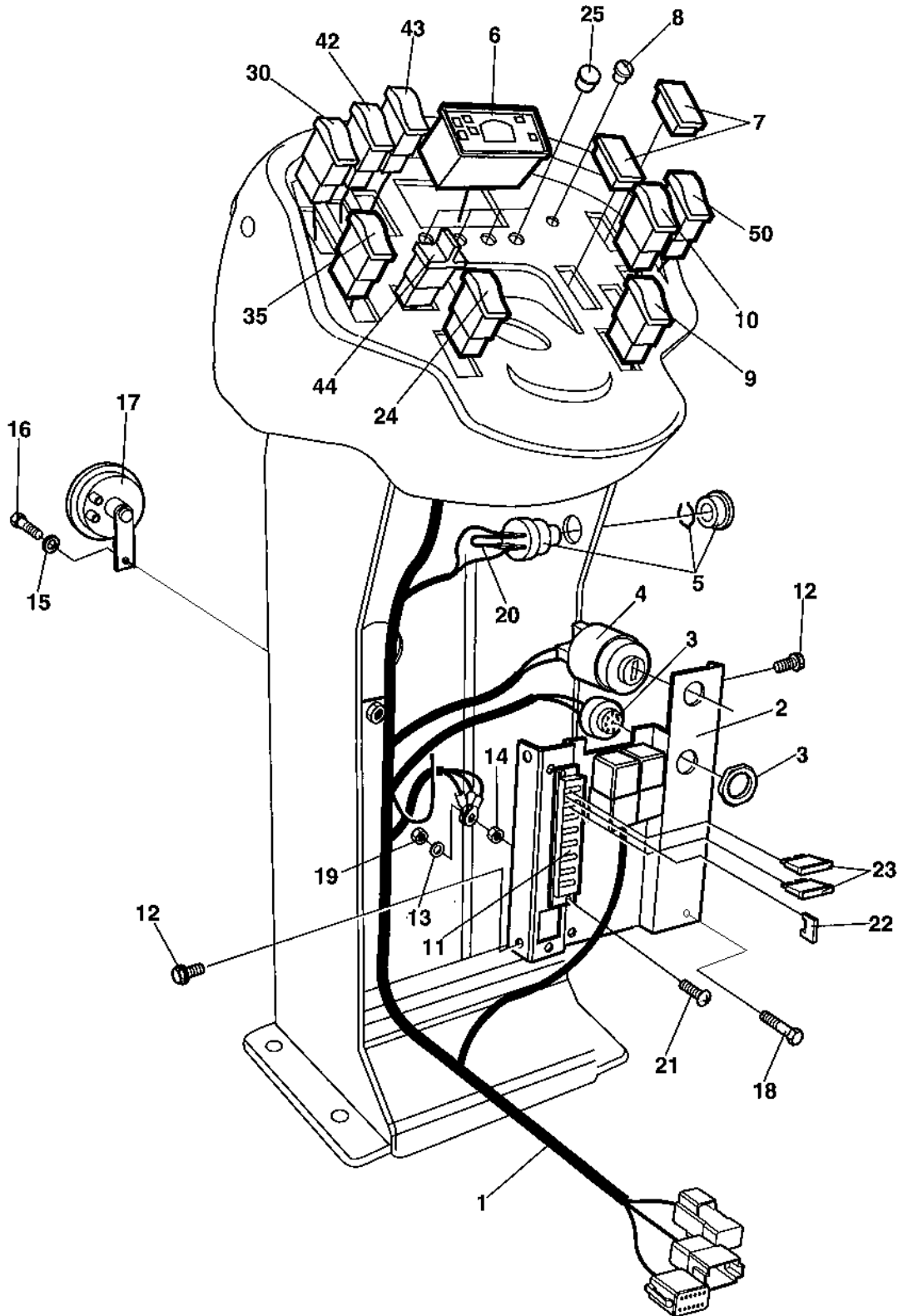
## Electric system

Ref. No.	Part No.	Rem.	Qty	Description	Code
1	378673	E	1	Cable harness	
2	791477		1	.Fuse holder	
	791514	A	1	.Fuse, 100A, Blue	
3	791719		1	Battery	
4	389662		2	Strap	
5	390394		1	Holder	
6	903640		1	Battery switch	
	928021		1	.Key	
7	903956	B	1	Relay	
8	904448	C	1	Relay	
9	791183	D	1	Relay	
10	904036		1	Fuse holder	
11	792282		1	Battery cable	
12	792195		1	Battery cable	
13	792196		1	Connection cable, coarse	
14	792283		1	Connection cable, coarse	
15	373891		1	Cover	
20	372664		2	Reducing nipple	
21	921028		2	Clamp	
23	378745		1	Control unit, ECU	
	392165		1	.Software	
30	792134		2	Bolt	
31	904556		2	Washer 8,4x16x3,0	
32	586003		3	Lock nut M8	
33	904228		14	Washer 6,4x12x1,5	
34	570004		2	Nut M6	
35	500013		4	Screw M6-1x16 8,8	
36	904567		2	Washer 10,5x28x6	
37	500028		2	Screw M10-1,5x25 8,8	
38	904911		1	Back-up alarm	
39	904229		4	Washer 8,4x16x1,5	
41	904281		12	Washer 5,3x10x1	
42	500053		2	Screw M8-1,25x20 8,8	
44	500006		4	Screw M5x16	
45	586001		6	Lock nut M5	
46	500075		4	Screw M6-1,0x25 8.8	
47	586002		4	Lock nut M6	
49	903768		1	Threaded stud	
50	500060		2	Screw M5-0,8x20 8.8	
51	570005		1	Nut M8	
56	904038		1	Fuse 40A	
57	904032		1	Fuse holder	
60	313041	N		Cable ties L=186 mm	

- A) Pre-heater.
- B) Fuel solenoid.
- C) Start.
- D) Pre-heater.
- E) Main harness

Control panel

18346



## Control panel

Ref. No.	Part No.	Rem.	Qty	Description	Code
1	378674	B	1	Cable harness	
2	387683		1	Distribution control plate	
3	385599		1	Buzzer	
4	238158		1	Ignition switch	
5	791647		1	Emergency stop	
6	388008		1	Control panel	
7	791588	N		Panel plug	
8	792083	N		Plug	
9	791578		1	Switch, horn	
10	792203		1	Switch, vibration	
11	791185		1	Fuse box	
12	903782		4	Screw M5x12	
13	904228		2	Washer 6,4x12x1,5	
14	570004		1	Nut M6	
15	904229		1	Washer 8,4x16x1,5	
16	500053		1	Screw M8-1,25x20 8,8	
17	999027		1	Horn	
18	500075		1	Screw M6-1,0x25 8.8	
19	586002		1	Lock nut M6	
20	791517		1	Connection cable	
21	901767		2	Screw ST3,5x9,5 Black	
22	791211	N		Contact bridge	
23	901228	N		Fuse 15A	
	901227	N		Fuse 10A	
	901225	N		Fuse 5A	
24	791582		1	Switch, parking brake	
25	792320		4	Plug	
30	791587	A	1	Switch, working light	
35	791585	A	1	Switch, rotating beacon	
42	791583	A	1	Switch, driving light	
43	791584	A	1	Switch, warning blinkers	
44	791586	A	1	Switch, drive direction	
50	792240	A	1	Switch, levelling blade	

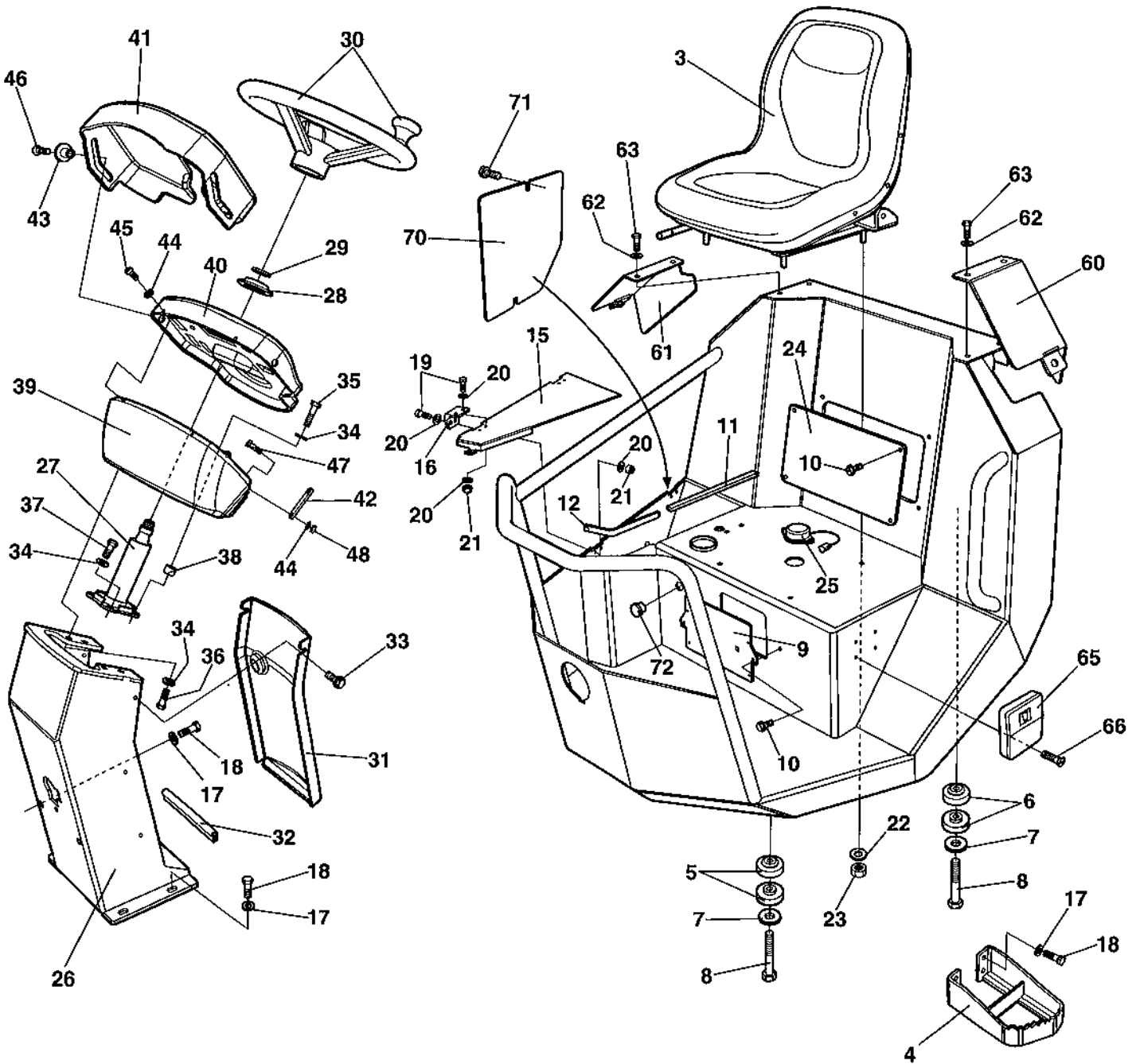
- A) Option  
B) Control panel





## Drivers platform

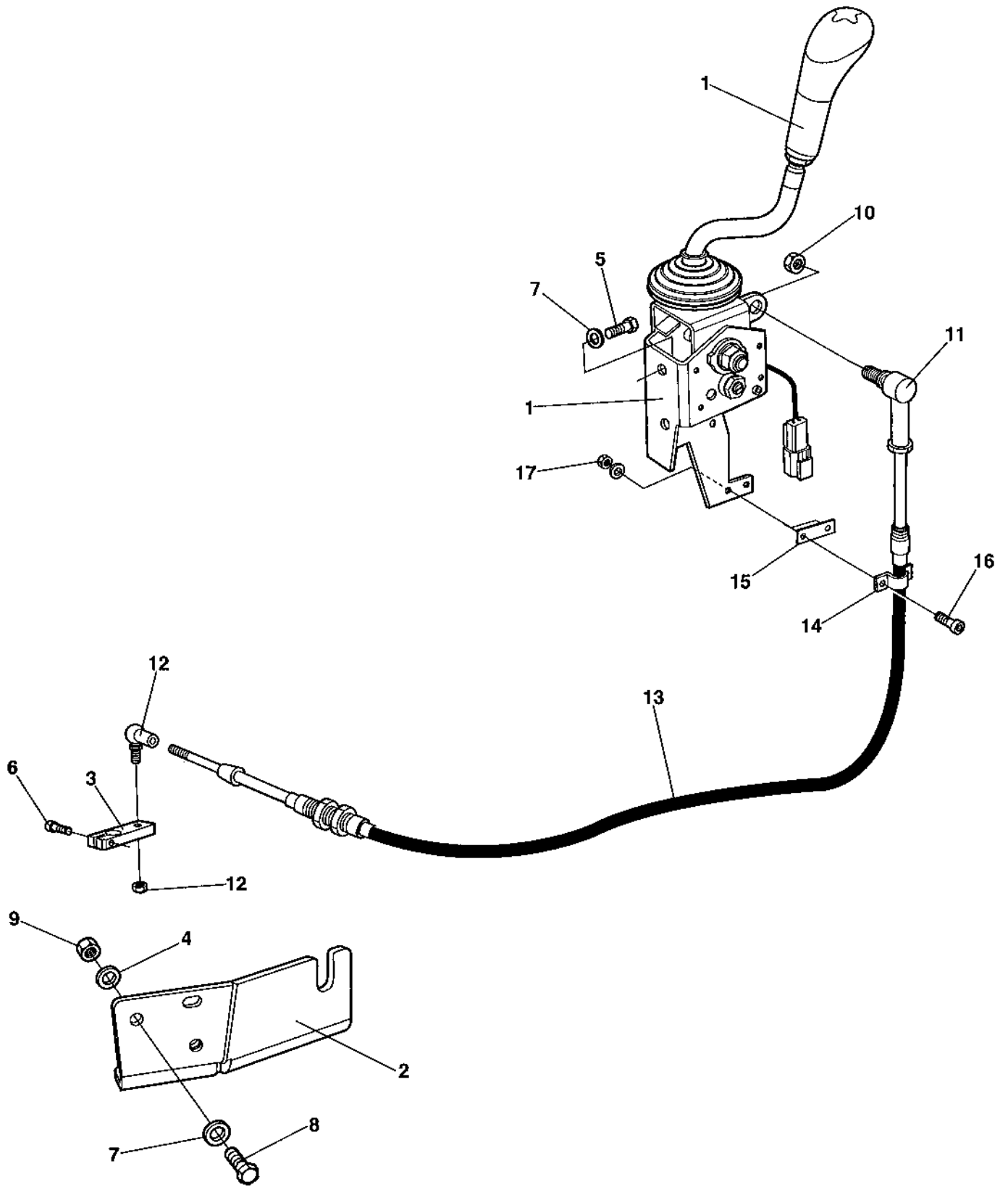
Ref. No.	Part No.	Rem.	Qty	Description	Code
10				Drivers platform ( Page 50 )	
20				Forward/Reverse control ( Page 52 )	
30				Forward/Reverse control handle ( Page 54 )	
40				Throttle control ( Page 56 )	
50				Rops and fops ( Page 58 )	



Drivers platform

Ref. No.	Part No.	Rem.	Qty	Description	Code
1	390140		1	Platform	
3	377556		1	Seat	
4	378475		1	Step	
5	378627		4	Shock absorber, Front	
6	378628		4	Shock absorber, Rear	
7	345666		4	Steel spacer	
8	500199		4	Screw M16-2x110 8,8	
9	388447		1	Cover	
10	500505		6	Screw M8x20 8.8	
11	902379	A	1XL	Edge trim	
12	902379	B	1XL	Edge trim	
15	390248		1	Cover	
16	903907		2	Hinge	
17	904557		10	Washer 10,5x22x4	
18	500029		10	Screw M10-1,5x30 8,8	
19	500040		8	Screw M6-1x20 8,8	
20	904228		16	Washer 6,4x12x1,5	
21	586002		8	Lock nut M6	
22	904229		4	Washer 8,4x16x1,5	
23	586003		4	Lock nut M8	
24	378928		1	Cover	
25	379636		1	Seat switch	
26	378335		1	Control panel column	
27	902123		1	Steering column	
28	928830		1	Rubber washer	
29	904793		1	Washer 19x34x3	
30	372964		1	Steering wheel, cpl	
	935614		1	.Turning knob	
	935613		1	.Cover	
31	387226		1	Column cover	
32	902166	C	1XL	Edge trim	
33	500505		2	Screw M8x20 8.8	
34	904230		8	Washer 10,5x22x2	
35	500031		2	Screw M10-1,5x40 8,8	
36	500029		4	Screw M10-1,5x30 8,8	
37	500048		2	Screw M10-1,5x20 8,8	
38	355869		2	Spacer sleeve	
39	387720		1	Control panel holder	
40	391784		1	Control panel	
41	387227		1	Control panel cover	
42	387545		1	Latch	
43	357855		2	Bushing	
44	904281		4	Washer 5,3x10x1	
45	904653		3	Screw M5x16 A2-70	
46	513017		2	Screw M6x30H 10,9	
47	500007		1	Screw M5-0,8x22H 8,8	
48	791476		1	Nut M5 -8	
60	390366	D	1	Cover, Left, Option	
61	390367	D	1	Cover, Right, Option	
62	904228		6	Washer 6,4x12x1,5	
63	500013		6	Screw M6-1x16 8,8	
65	377255	E	1	Cup holder	
66	513027		4	Screw M4x16H 10,9	
70	390249		1	Cover	
71	904755		2	Screw M8x12 8,8 FZB	
72	923270		2	Protective plug	

- A) L=0.335M.
- B) L=0,255M
- C) L=0,190M
- D) Used without ROPS.
- E) Option

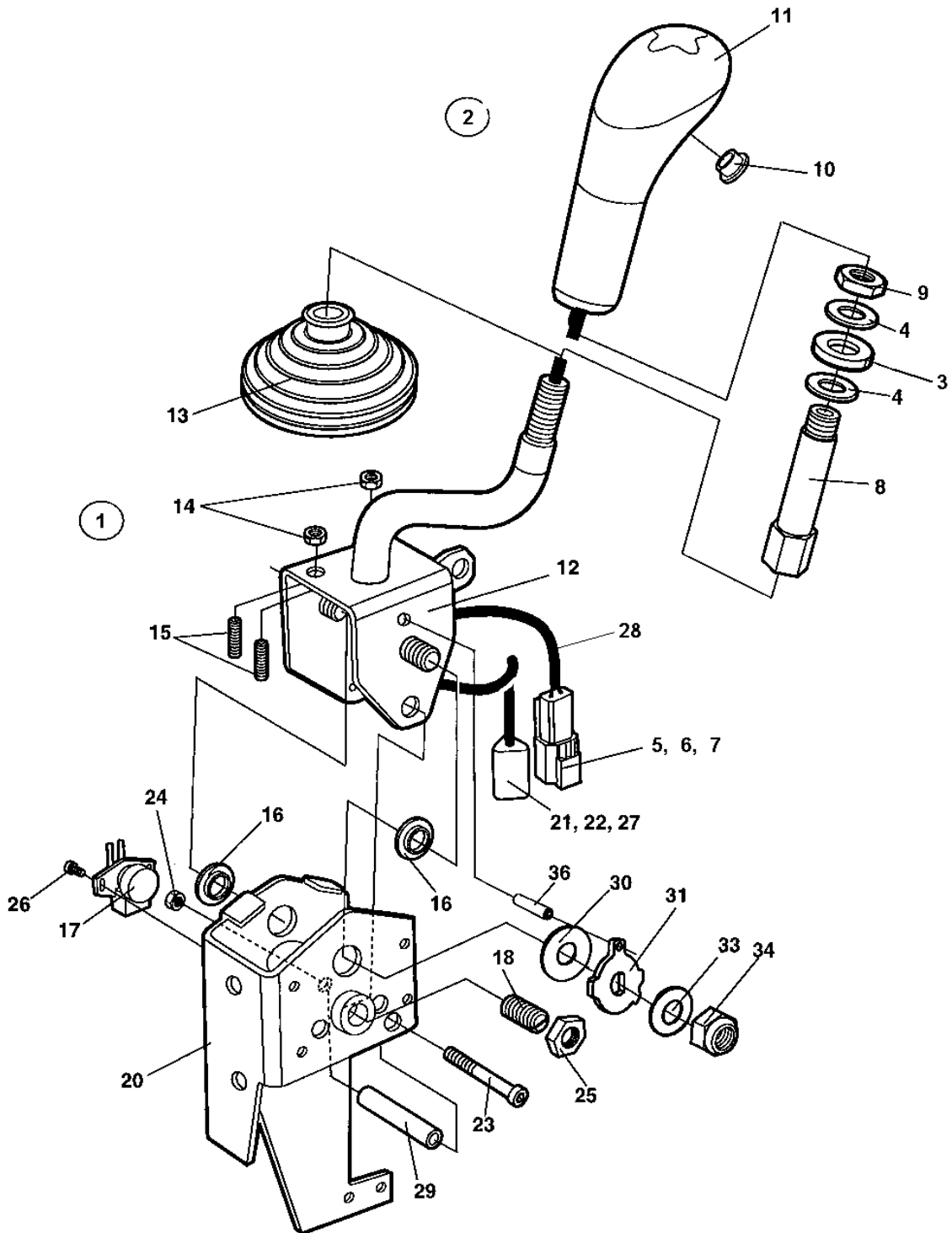


Ref. No.	Part No.	Rem.	Qty	Description	Code
1			1	Forward/Reverse control handle ( Page 54 )	
2	379467		1	Control bracket	
3	378340		1	Control lever	
4	904229		2	Washer 8,4x16x1,5	
5	508092		2	Screw M8-1,25x20H 8,8	
6	508020		1	Screw M5x20	
7	904556		4	Washer 8,4x16x3,0	
8	500022		2	Screw M8-1,25x30 8,8	
9	570005		2	Nut M8	
10	586003		1	Lock nut M8	
11	377019		1	Ball joint	
12	416034		1	Ball joint	
13	377024	A	1	Cable Forward/Reverse	
14	377020		1	Clamp	
15	377021		1	Spacer	
16	926537		2	Screw M5-0,8x16H 8,8	
17	586001		2	Lock nut M5	

A) L=1900MM

Forward/Reverse control handle

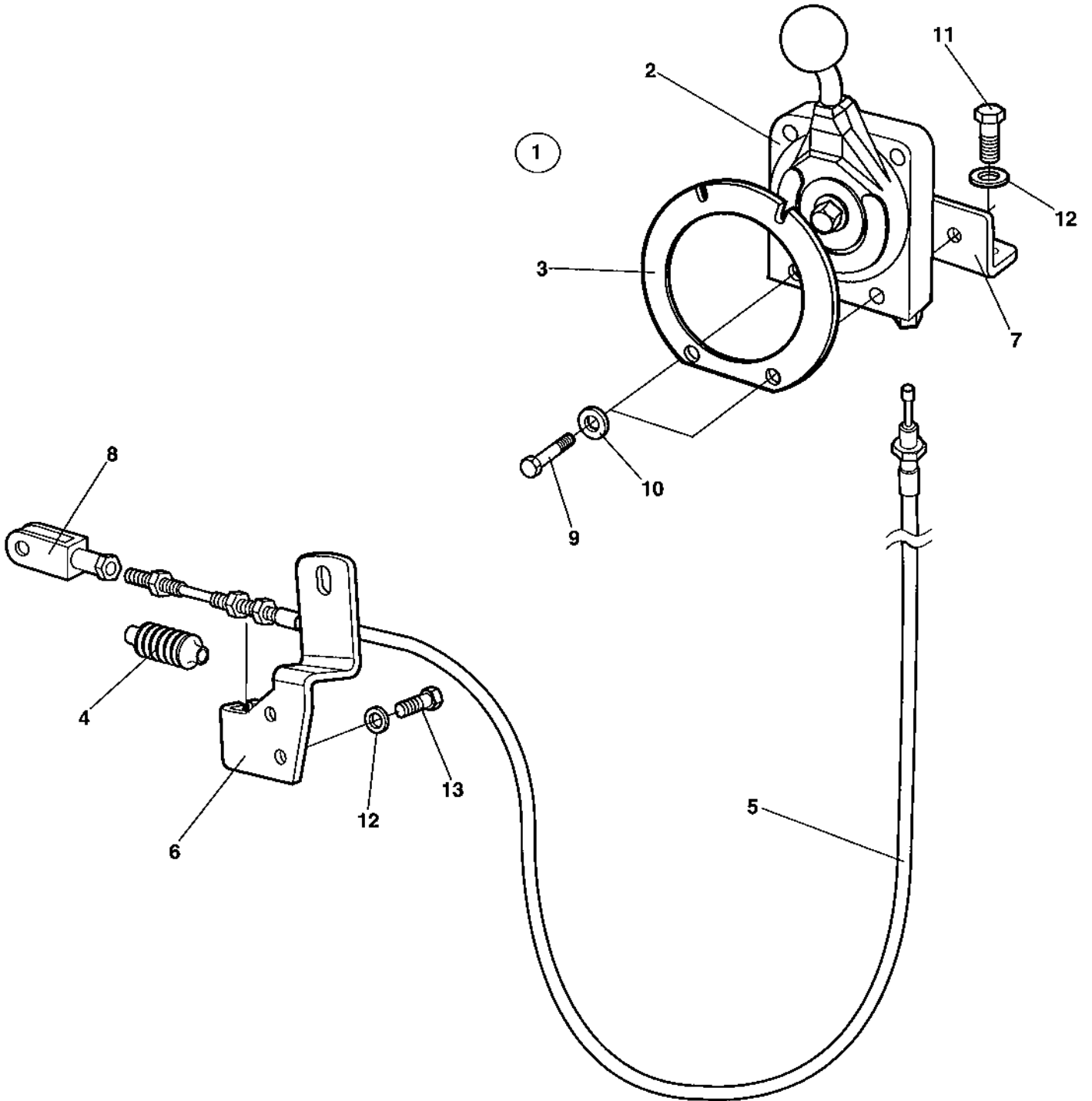
18071-2



## Forward/Reverse control handle

Ref. No.	Part No.	Rem.	Qty	Description	Code
1	945407		1	Lever, cpl	
2	940374		1	.Handle kit, cpl	
			1	..Handle	
			1	...Button	
			1	...Cable	
			1	..Lockfluid	
			1	..Service information	
3			1	..Washer	
4			2	..Washer	
5			1	..Connector, receptable	
6			1	..Lock wedge	
7			2	..Pin	
8			1	..Rod	
9			1	..Nut	
10	377018		1	..Protection plug	
11	378759		1	..Handle top	
12	391379		1	.Lever	
13	377009		1	.Bellows	
14	570004		2	.Nut M6	
15	377015		2	.Set screw	
16	391381		1	Bushing	
17	391382		1	Potentiometer with cable	
18	377016		1	Spring loaded pin	
20	377010		1	Bracket	
21	903945		1	Connector, plug	
22	903946		1	Lock wedge	
23	508068		1	Screw	
24	904563		1	Lock nut M6	
25	927233		1	Nut	
26	391383		1	Screw	
27	903947		3	Pin	
28		B	1	Cable	
29	377011		1	Spacer	
30	377012		1	Friction washer	
31	391380		1	Cam washer	
33	377014		1	Spring washer	
34	586019		1	Lock nut M12	
36	391386		1	Spirol pin	

B) Included in potentiometer Pos 17

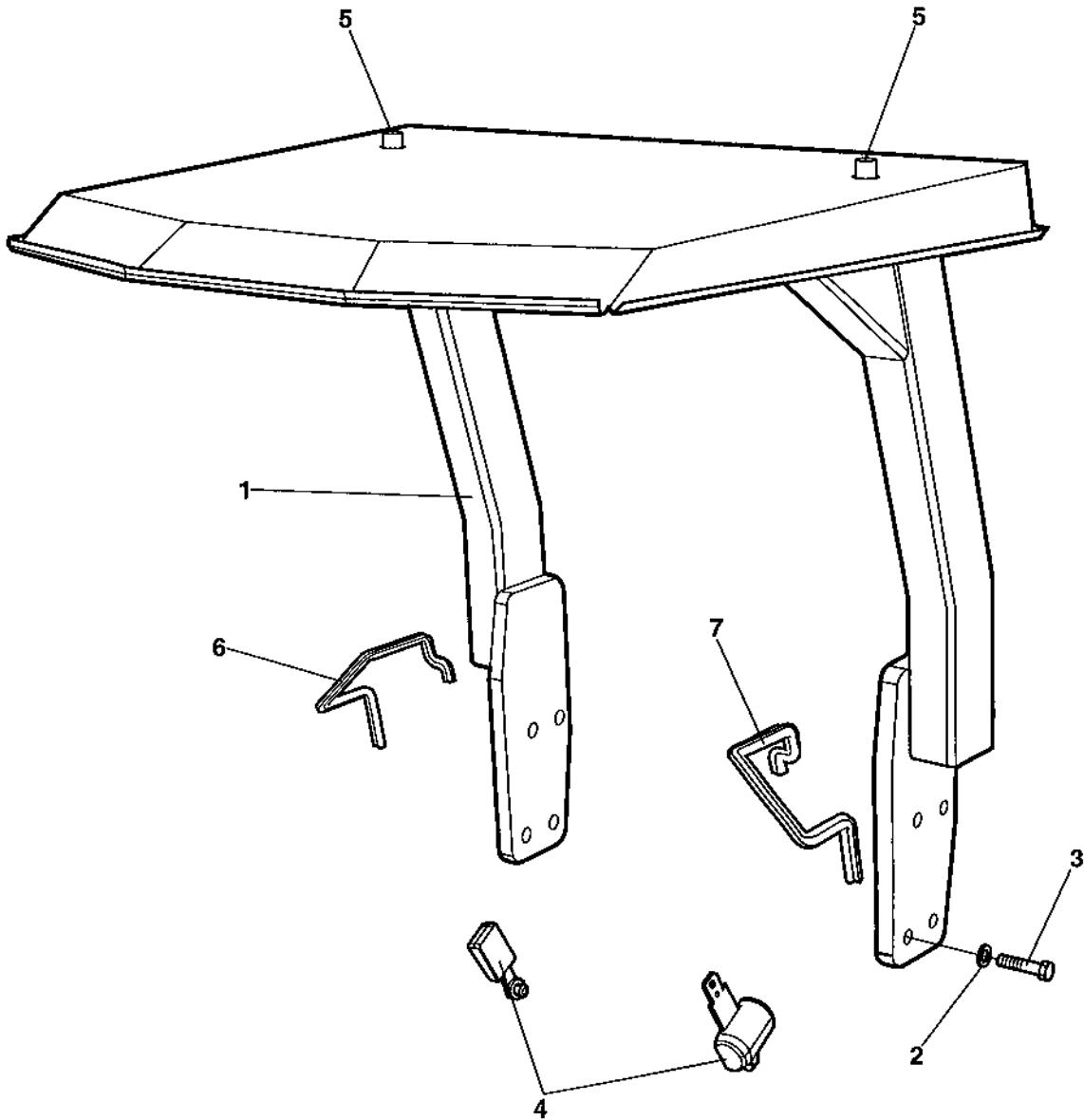




## Throttle control

Ref. No.	Part No.	Rem.	Qty	Description	Code
1	389173		1	Throttle control, cpl	
2	389175		1	.Control	
3	389177		1	.Snap plate	
4	382349		1	.Bellows	
5	389181	A	1	.Throttle cable	
6	390387		1	Bracket	
7	379996		1	Bracket	
8	416019		1	Yoke	
9	500075		2	Screw M6-1,0x25 8.8	
10	904228		2	Washer 6,4x12x1,5	
11	500053		2	Screw M8-1,25x20 8,8	
12	904229		4	Washer 8,4x16x1,5	
13	500019		2	Screw M8-1,25x16 8.8	

A) L=2400MM

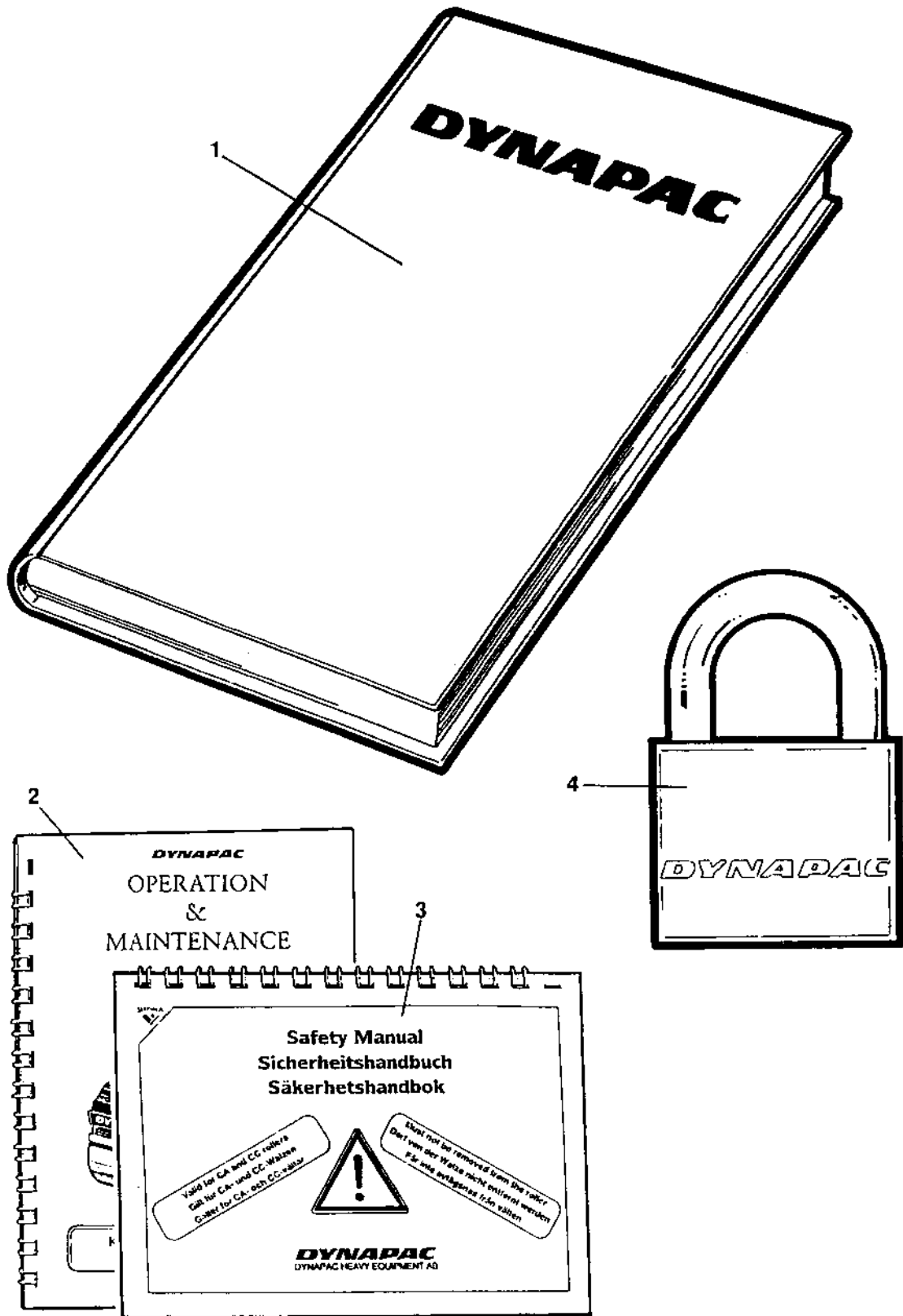


## Rops and fops

Ref. No.	Part No.	Rem.	Qty	Description	Code
1	378829		1	Rops	
2	904232		8	Washer 17x30x3	
3	500082		8	Screw M16x70	
4	377677		1	Seat belt	
	379637	A	1	Seat belt 3"	
5	900986		2	Plug	
6	902166	B	1XL	Edge trim	
7	902166	B	1XL	Edge trim	
A)	Option				
B)	L=0,580M				



Ref. No.	Part No.	Rem.	Qty	Description	Code
10				Standard equipment ( Page 62 )	



Ref. No.	Part No.	Rem.	Qty	Description	Code
1			1	Documentation ISCA134PD	
			1	.Warranty registration card	
			1	.Spare parts catalogue SCA134PD	
			1	.Instruction manual John Deere 5030TF270	
2			1	.Operating / maintenance instruction ICA134	
3			1	.Safety manual RSAFE	
4	358881		1	Pad lock	





Part Number	Page	Part Number	Page	Part Number	Page
114089	13	377021	53	378875	7
116041	13	377024	53	378878	7
160040	13	377255	51	378879	7
160093	13	377556	51	378880	7
160344	13	377677	59	378925	21
162008	33,35	377782	7	378926	21
162017	13	377788	7	378928	51
162018	13	378000	13	378957	23
162027	13	378003	13	378959	9
202043	33,37	378125	7	379057	33,35,37
232039	37	378143	33,35	379069	39
232145	37,39	378149	37	379169	7
232210	13	378153	39	379184	25
238158	47	378155	37	379220	39
287294	39	378164	33,35	379434	41
288129	19	378165	29	379464	23
313001	23	378166	33,35	379467	53
313006	19	378187	39	379601	19
313008	37	378227	17	379636	51
313010	19	378294	25	379637	59
313023	23	378298	23	379666	7
313032	19,23	378335	51	379996	57
313036	25	378340	53	380262	23
313038	23	378405	33	381027	13
313041	45	378409	17	381028	13
313075	19	378433	9	381413	19
330171	23	378443	13	382130	9
336742	13	378445	37	382131	9
343318	13	378475	51	382165	9
343744	13	378488	13	382335	9
343775	7	378523	7	382349	57
343801	13	378537	41	383436	13
344196	13	378574	23	384397	13
345243	33,35	378585	23	385133	13
345666	51	378588	23	385599	47
349715	13	378589	23	386272	13
355869	51	378617	37	386966	21
357138	37	378621	37	387129	17
357139	37	378622	17	387130	19
357855	51	378627	51	387148	9
358881	63	378628	51	387151	9
359550	39	378640	17	387226	51
359551	39	378641	17	387227	51
359552	39	378642	17	387545	51
370231	13	378643	17	387682	23
372229	39	378644	25	387683	47
372664	45	378657	21	387720	51
372964	51	378658	21	387948	9
373891	45	378664	17	388008	47
374059	33,35	378668	37	388447	51
374565	13	378669	37	388557	23
374744	7	378670	33,37	389173	57
377009	55	378673	45	389175	57
377010	55	378674	47	389177	57
377011	55	378712	21	389181	57
377012	55	378733	21	389662	45
377014	55	378734	21	390140	51
377015	55	378735	21	390244	19
377016	55	378736	21	390245	19
377018	55	378745	45	390248	51
377019	53	378759	55	390249	51
377020	53	378829	59	390250	19

Part Number	Page	Part Number	Page	Part Number	Page
390251	19	483835	41	500075	47,57
390252	19	483836	41	500076	13
390255	9	483837	41	500082	7,59
390260	9	483838	33,35	500109	33,35
390269	9	483840	37	500116	33,35
390270	9	483842	33,35	500133	7,13
390298	9	483843	39	500134	7
390299	9	483844	39	500163	13
390310	19	483845	39	500165	7,13
390340	25	483846	39	500194	17
390341	25	483847	41	500197	37
390366	51	483848	41	500199	51
390367	51	483849	39	500226	29
390381	21	483850	37	500267	9
390383	19	483861	33	500505	51
390387	57	483871	33,35	502037	33
390389	23	483872	39	508020	53
390390	19	483873	37	508048	37
390391	19	483928	37	508068	55
390392	19	483944	35	508074	33
390393	19	483950	35	508092	53
390394	45	483951	35	509012	17
390425	7	483982	37	509035	35
390475	9	483983	35	513017	51
390521	13	500006	45	513027	51
390522	13	500007	51	516002	9
390523	13	500012	9	516049	9
390549	13	500013	7,19,45	527002	13
390550	13		51	535011	9
390551	13	500015	21	570004	9,21,45
390592	17	500019	9,19,57		47,55
390593	17	500020	19	570005	9,19,21
390594	17	500021	9,19,23		23,33,35
390662	29		41		37,41,45
390663	29	500022	17,37,39		53
390664	29		53	570006	9,19
390665	29	500023	19	573008	9
390666	29	500024	21,37	586001	9,45,53
390667	29	500028	13,19,37	586002	23,45,47
390668	29		45		51
390669	29	500029	17,23,51	586003	9,21,45
390670	29	500030	9,33,35		51,53
390671	29	500031	35,51	586019	7,9,17,55
390672	29	500032	19	586021	13
391379	55	500037	13,17,33	635061	7
391380	55		35	747282	23
391381	55	500040	19,41,51	791120	37
391382	55	500043	7,33,35	791182	17
391383	55		37	791183	45
391386	55	500046	13,37	791185	47
391440	35	500047	9,21	791211	47
391784	51	500048	7,39,51	791318	33,35
392165	45	500051	13	791321	39
392552	35	500053	25,33,35	791414	41
416019	57		37,45,47	791423	19
416034	53		57	791476	51
483722	39	500058	13	791477	45
483825	33,35	500060	45	791514	45
483826	33,35	500067	39	791517	47
483830	33	500068	9	791536	41
483833	33	500070	13,17	791537	41
483834	33	500075	17,23,45	791538	41

Part Number	Page	Part Number	Page	Part Number	Page
791542	41	901767	47	904703	37
791549	33,35	902123	51	904755	51
791578	47	902166	51,59	904766	33,35
791582	47	902295	37	904773	33,35
791583	47	902379	51	904774	37,39
791584	47	903236	23	904793	13,51
791585	47	903456	39	904911	45
791586	47	903640	45	904984	23
791587	47	903703	19	921022	37
791588	47	903713	19	921028	45
791632	37	903768	45	921050	19
791634	17	903782	47	921072	19
791647	47	903856	9	922552	37
791719	45	903907	51	923270	51
791791	39	903923	9	923405	39
791798	33,35,39	903945	55	925629	9
791799	33,35	903946	55	925802	19
791808	33,35	903947	55	926537	53
791820	17	903956	45	926736	13
791823	33,35,37	903985	29	927233	55
791830	17	904032	45	927637	21
791836	37,39	904036	45	927974	23
791840	39	904038	45	928021	45
791841	33,35,39	904137	23	928830	51
791844	33,35	904213	33	929226	33,35
791850	33,35	904214	33,35	929447	13
791853	37	904228	7,9,17,19	935613	51
791857	33		21,23,41	935614	51
791862	39		45,47,51	940374	55
791914	41		57	940985	17
791933	13	904229	9,17,19	940986	17
792083	47		21,23,25	940987	17
792134	45		33,35,37	940988	17
792151	39		39,41,45	940989	17
792157	33,35		47,51,53	945407	55
792167	37		57	999027	47
792168	37	904230	7,9,13,19		
792195	45		37,39,51		
792196	45	904231	7,9,13,17		
792198	37,39		37		
792199	37	904232	7,13,17		
792203	47		59		
792219	39	904233	29		
792240	47	904281	9,45,51		
792257	9	904346	23		
792258	9	904352	19		
792261	29	904448	45		
792264	33,35	904556	23,45,53		
792282	45	904557	9,23,37		
792283	45		51		
792320	47	904563	17,55		
801981	21	904567	45		
813429	37	904570	35		
814261	25	904574	9		
821460	13	904578	33		
900775	13	904584	37		
900986	59	904637	17,33,35		
901145	29	904640	9,19,21		
901157	33,35	904641	33,35		
901225	47	904653	51		
901227	47	904698	23		
901228	47	904703	7,17,35		