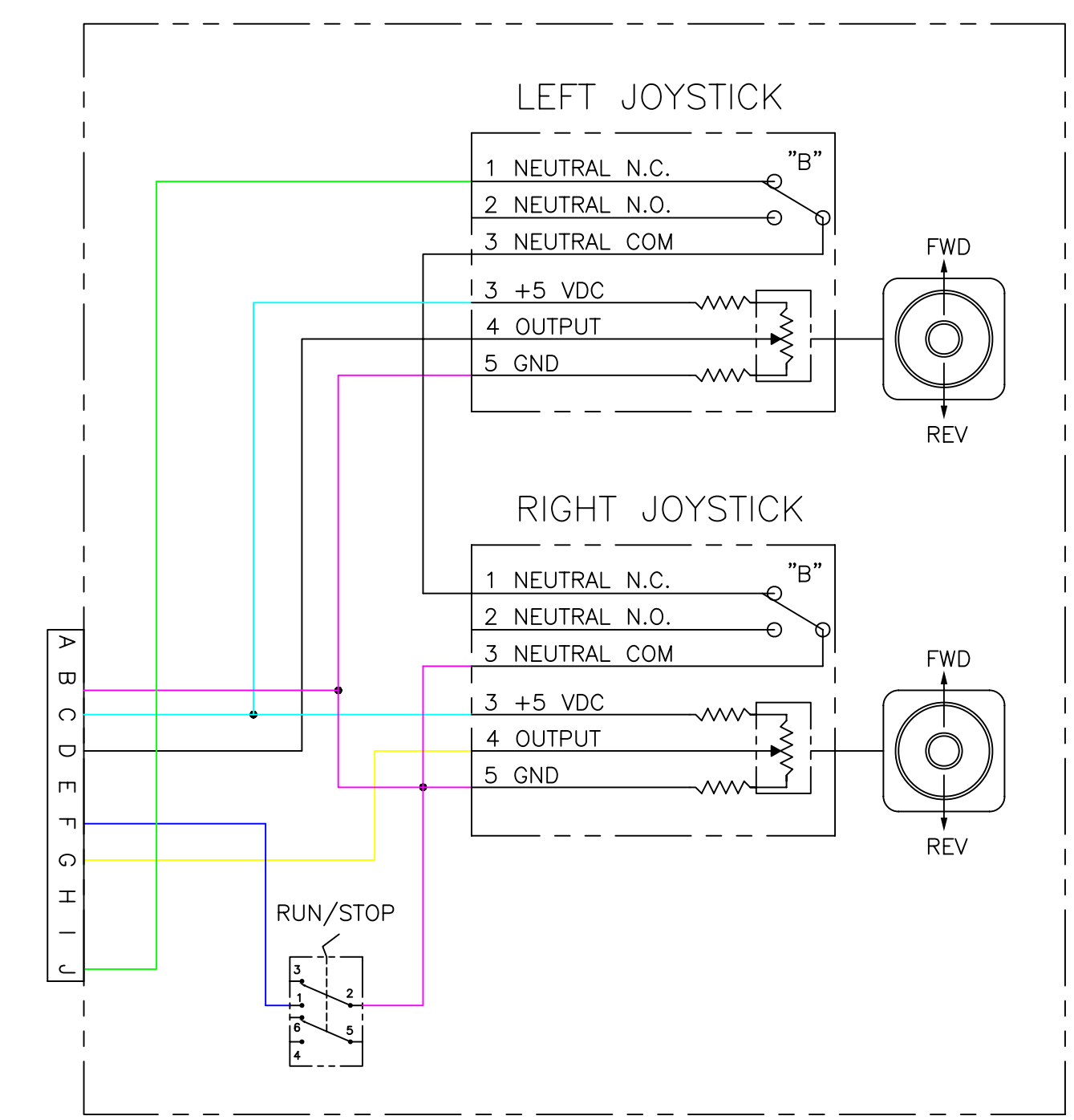
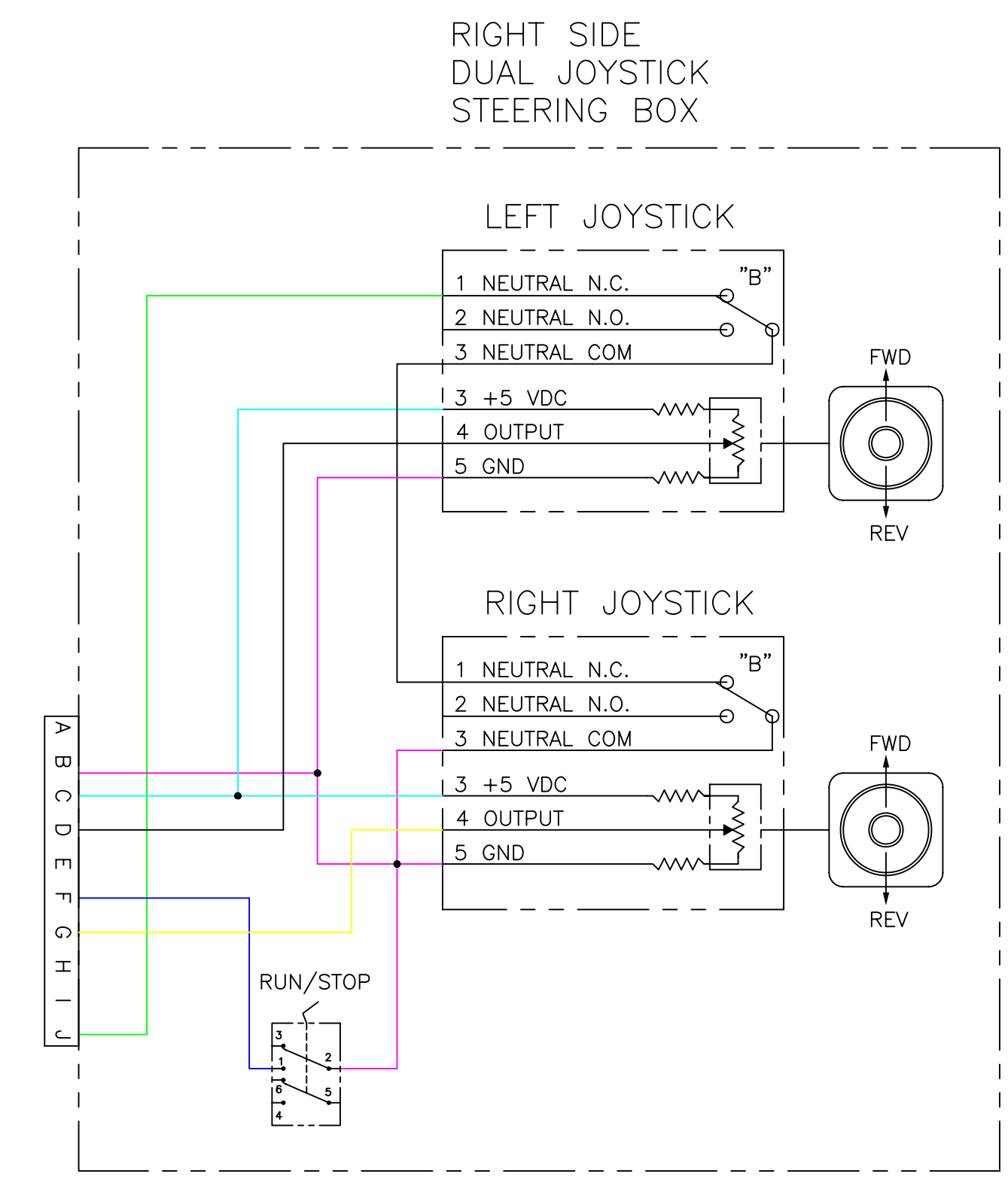
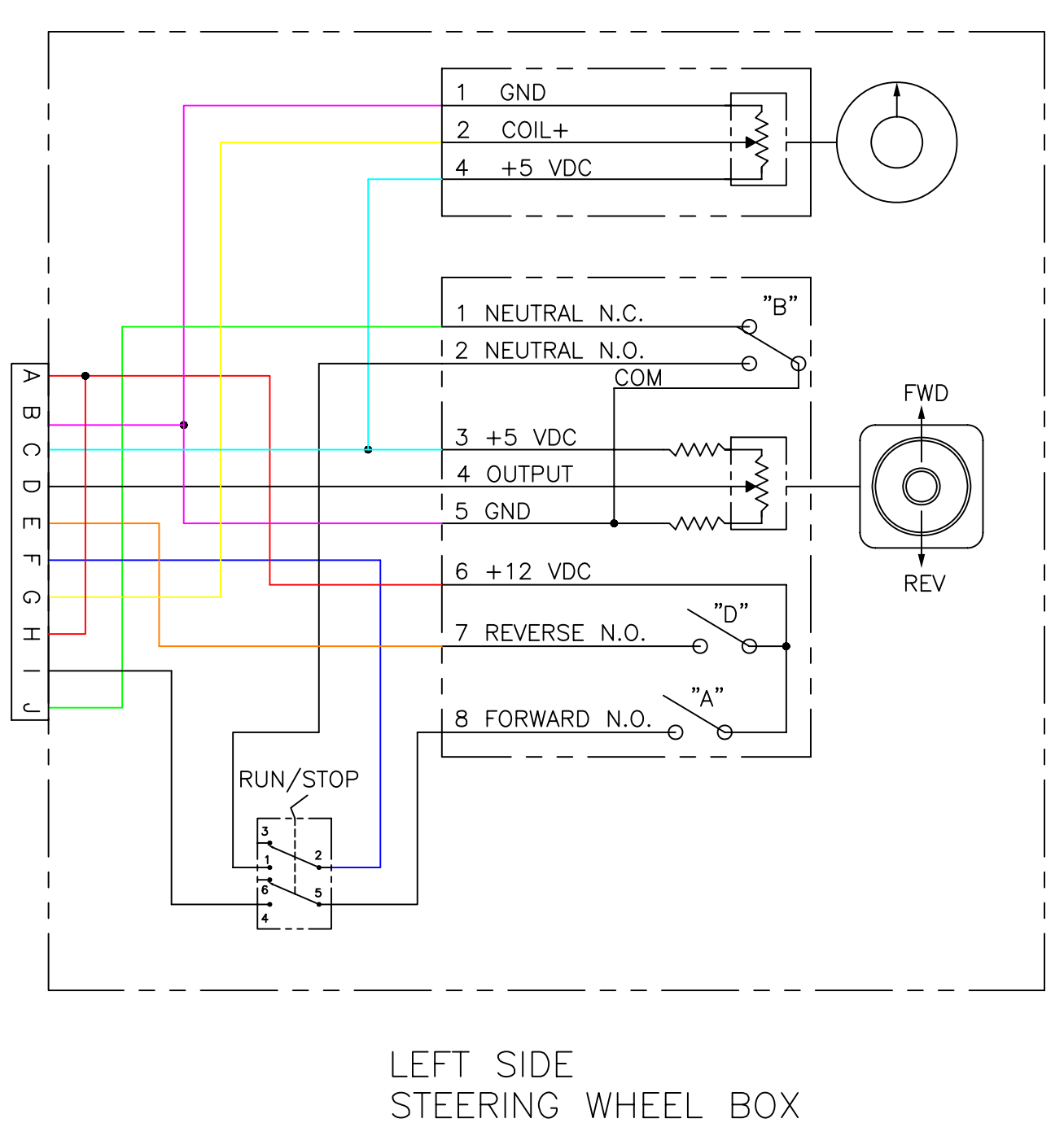
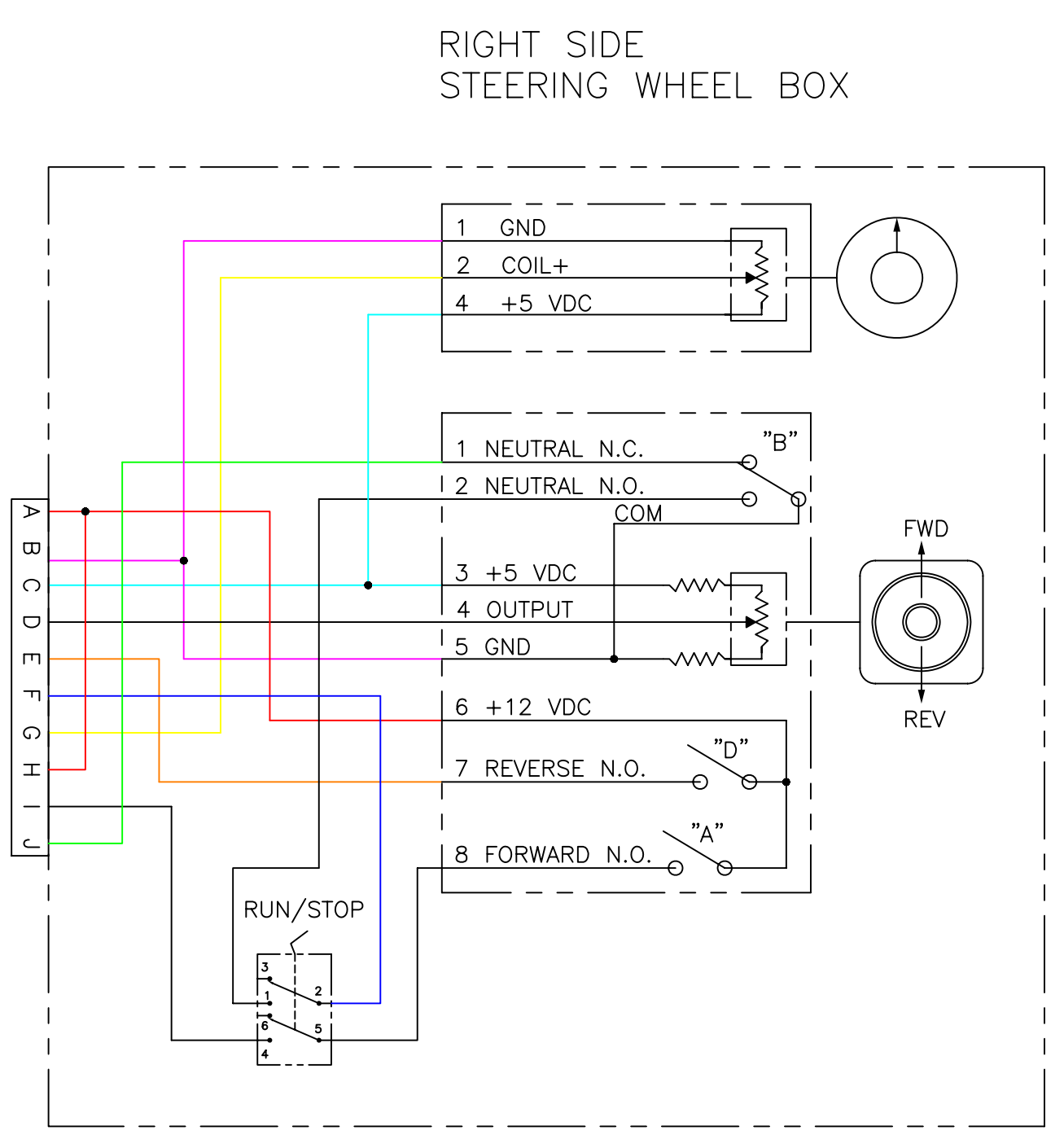
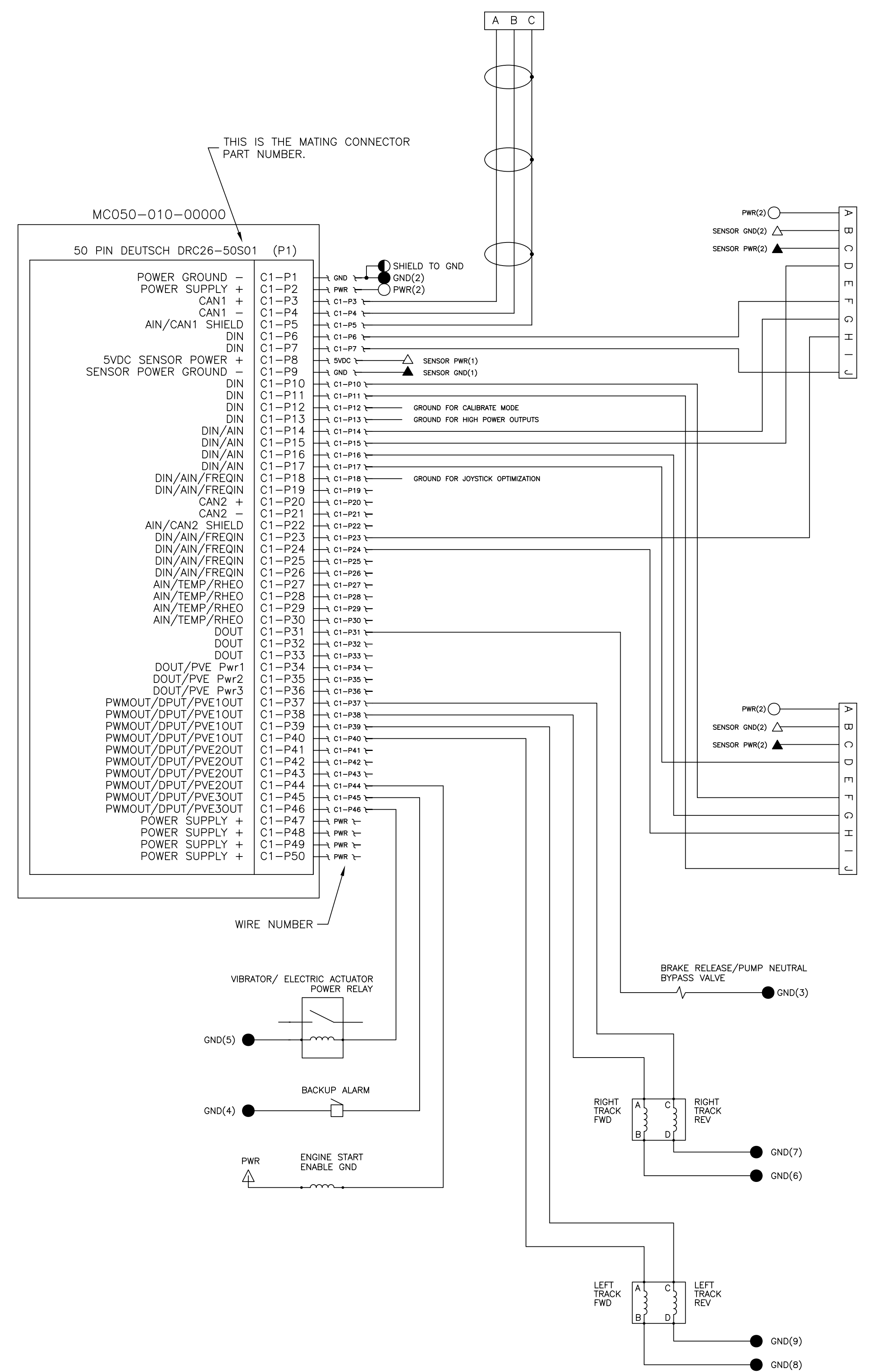


NOTICE- THE SUNSOURCE CORP. CLAIMS PROPRIETARY RIGHTS ON THE INFORMATION DISCLOSED ON THIS DRAWING. IT IS ISSUED IN CONFIDENCE AND MAY NOT BE REPRODUCED OR USED TO MANUFACTURE ANYTHING SHOWN HEREON WITHOUT DIRECT WRITTEN PERMISSION FROM THE SUNSOURCE CORP. TO THE USER.



NOTE:
THE PLUS ONE WILL WORK WITH 1 OR 2 STEERING CONTROLS. THE LEFT SIDE AND RIGHT SIDE CONTROLS MUST BE THE SAME TYPE. EITHER BOTH STEERING WHEEL BOX CONTROLS OR BOTH DUAL JOYSTICK BOX CONTROLS.

- SUNSOURCE STD PORT DESCRIPTIONS
- PWR
 - GND
 - SHIELD
 - △ SENSOR PWR
 - ▲ SENSOR GND
 - CAN0 +
 - CAN0 -
 - DRAIN 0
 - CAN1 +
 - CAN1 -
 - DRAIN 1

		THIRD ANGLE PROJECTION DIMENSIONS ARE INCHES DO NOT SCALE DRAWING	
DRAWN BY ADP	DATE 1/10/06	TITLE ELECTRICAL SCHEMATIC	
MATERIAL 	SCALE 	PART NUMBER PR0853-SCH-ELECT	
PROTECTIVE FINISH 	CHECKED BY CROWLEY	REV. LEVEL 	

REV	ECO #	DATE	BY
D			

UNLESS SPECIFIED OTHERWISE, APPLY M.E.C. STANDARDS PER DWG. FV-1000-SPEC1