



**AUTOMATIC AUGER ELECTRICAL  
COMPONENTS**

<b>ITEM NO.</b>	<b>PART NO.</b>	<b>DESCRIPTION</b>	<b>QTY.</b>
1	500040	Switch, toggle	2
2	900142	Cord, stretch	2
3	900132	Valve	2
4	900146	Paddle	2
5	900150	Bracket, Switch	2
6	900151	Receptacle	2
7	900153	Cover, outlet	2
8	900135	Switch, automatic auger	2

**DANGER**  
 HANG UP ALL  
 HOLES, LASHES,  
 WIRE ENDS,  
 AND STRIPS OF  
 INSULATION  
 IMMEDIATELY

**WARNING**  
 DO NOT USE  
 ELECTRIC SPRAY SYSTEM  
 WHEN BURNERS ARE IN USE

**DANGER**  
**PINCH POINT**  
**CAUTION**  
 DO NOT SPRAY  
 FUEL OIL ON TIRES.

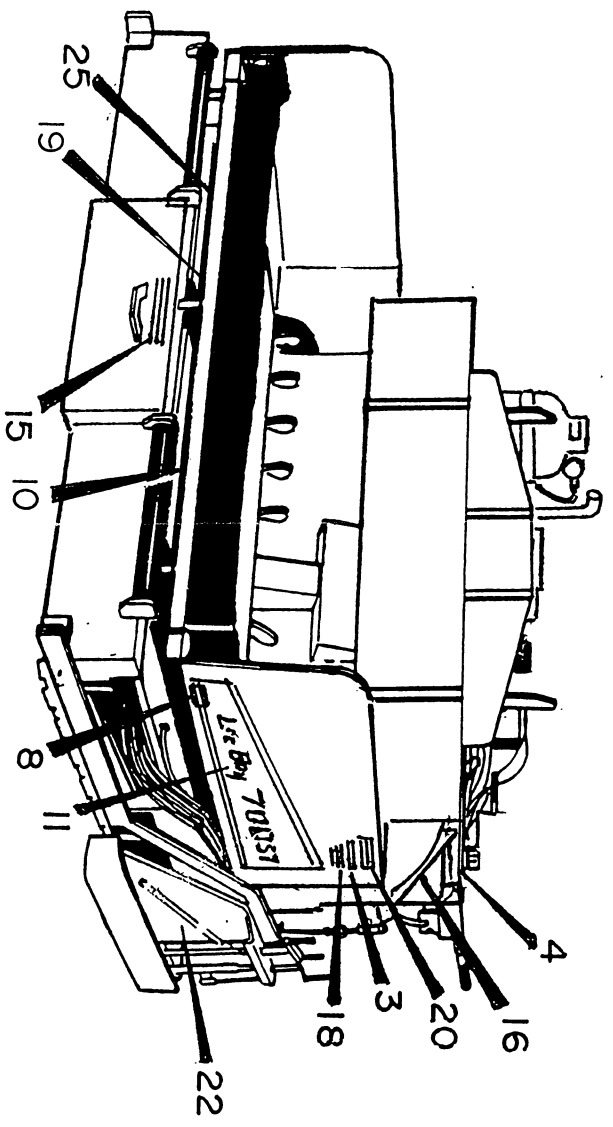
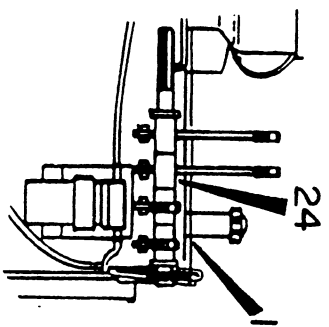
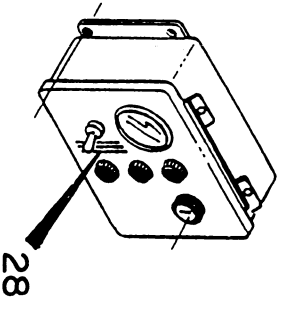
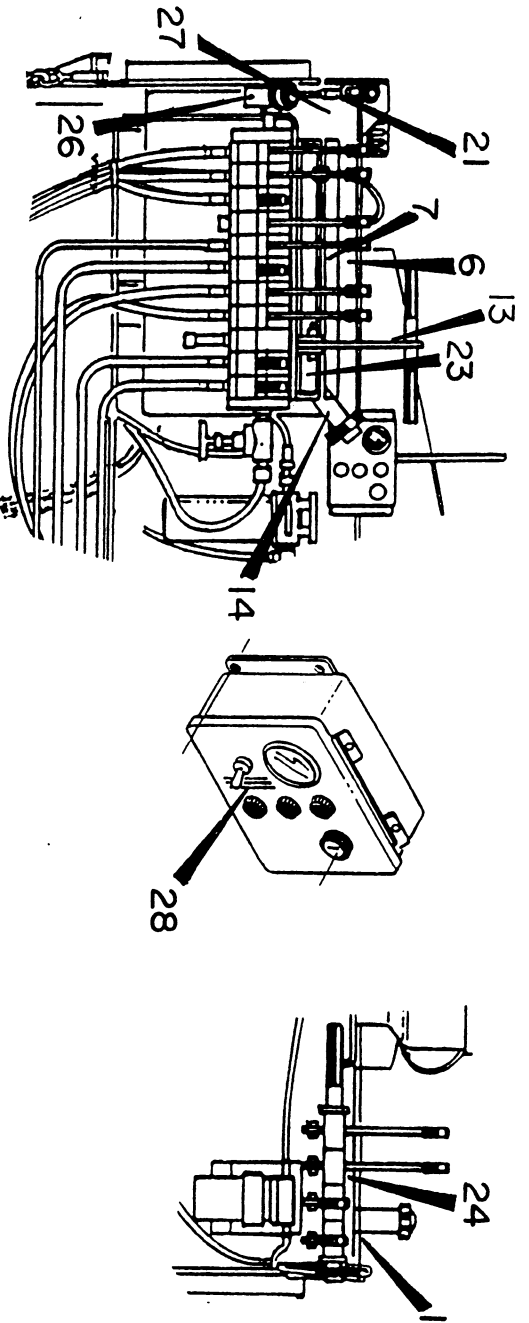
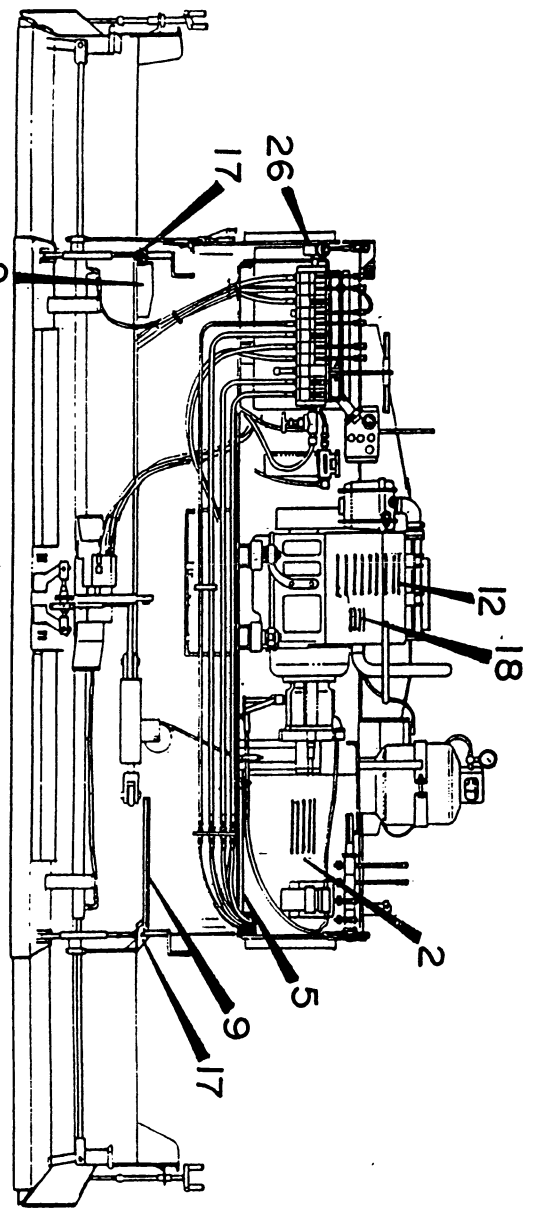
**WARNING**  
 IMMEDIATELY  
**ONLY**  
 RESTRICTIONS

**DANGER**  
 Need Hooks &  
 Clothing Clear of  
 Augers & Conveyors

**DO NOT OPERATE OR TOW THIS  
 MACHINE WITHOUT FIRST  
 FULLY UNDERSTANDING  
 THE CONTENTS OF THE  
 OPERATORS MANUAL.**

**IMPORTANT**  
 WHEN CHANGING GEARS MOVE DRIVE  
 LEVERS FORWARD AND REVERSE  
 LES. PRESSURE ON SHIFTER HANDLE.  
 THIS WILL ELIMINATE TRANSMISSION  
 DAMAGE.

**DANGER**  
 Always Keep Guidebar  
 Latched While in Transit  
 (Keep All Adjustments Tight)



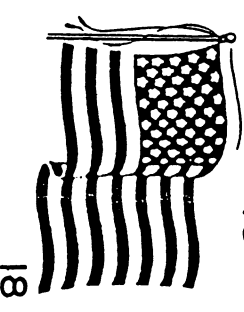
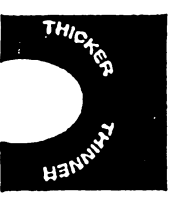
**DANGER**  
**PINCH POINT**

**SAFETY**  
 LIP PROP

**Lee-Boy 700ST**

**LEE-BOY MFG. CO.**  
 DENVER, NORTH CAROLINA 28047

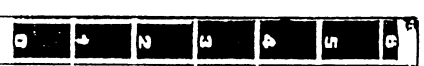
**THROTTLE**



**DANGER ... DO NOT ATTEMPT TO SHIFT  
 HIGH AND LOW GEAR LEVER UNLESS MACHINE  
 IS SITTING LEVEL BY OPERATOR'S EYE.**

**TRACK  
 ADJUSTMENT**  
 Adjust tension on springs to where spring  
 measures 6-3/4" long. Then measure  
 threaded rod coming out of take-up nut.  
 Be sure both sides measure the same.

**WARNING**  
 ALWAYS FOLD DOWNINGS ON  
 HOPPER OUT TO WORKING  
 POSITION TO AVOID DAMAGE.



**CHECK OIL**  
 EVERY 30 DAYS

**VIBRATOR**

**HIGH**  
**LOW**

**OH**  
**SPRAY DOWN**  
**OFF**