

NOTES

- 

**LegBoy**  
 VT LEEBOY, INC.  
 500 LINCOLN COUNTY  
 PARKWAY EXT  
 LINCOLN, NC 28092

UNLESS OTHERWISE SPECIFIED  
 DIMENSIONS ARE IN INCHES  
 AND APPLY TO FINISHED PART  
 ROUGH CUTS MUST INCLUDE  
 APPROPRIATE FACING ALLOWANCE  
 FOR MACHINED PARTS

TOLERANCES ARE:  
 DECIMALS: ±0.03  
 FRACTIONALS: ±1/16  
 ANGLES: ±1/2°  
 SURFACE FINISH: 320

SCALE: 1:4

REV.	BY	DATE	APPROVALS	DATE	EON	DESCRIPTION
1	MANFRED NG	05/11/07				SCHEMATIC, HYD HOSE, PAVER (5000)

CHECKED: DT DATE: 7/1/07

DESCRIPTION: SCHEMATIC, HYD HOSE, PAVER (5000)

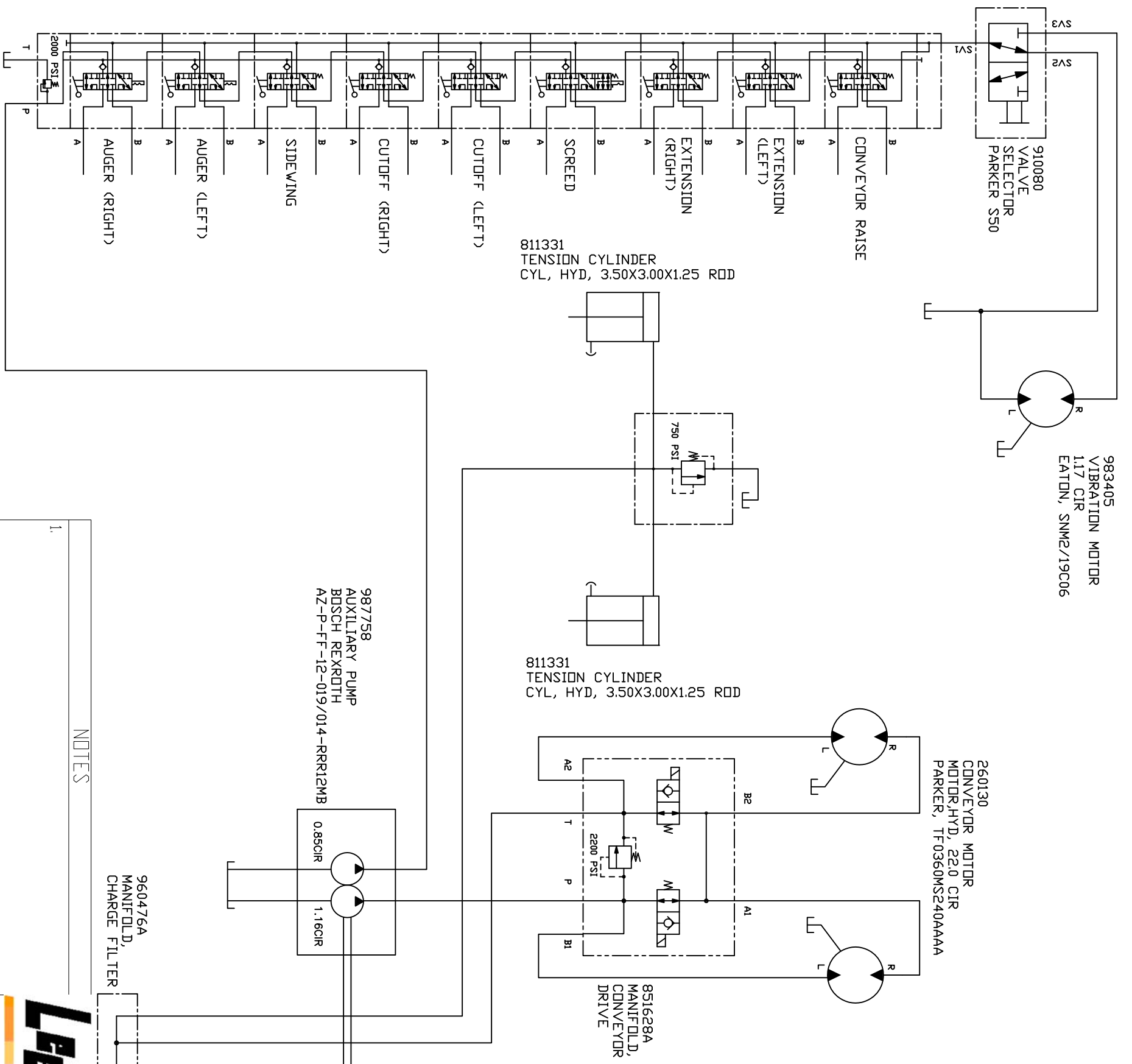
PART NO. 988608

REVISION: A

INFORMATION CONTAINED ON THIS DRAWING IS THE SOLE PROPERTY OF VT LEEBOY, INC. ANY REPRODUCTION IN PART OR WHOLE WITHOUT THE WRITTEN PERMISSION OF VT LEEBOY, INC. IS PROHIBITED.

PART WT. LBS

SHEET 2 OF 2



NOTES

1.

**LeeBoy**

VT LEEBOY, INC.  
500 LINCOLN COUNTY  
PARKWAY EXT  
LINCOLN, NC 28092

UNLESS OTHERWISE SPECIFIED  
DIMENSIONS ARE IN INCHES  
AND APPLY TO FINISHED PART  
ROUGH CUTS MUST INCLUDE  
APPROPRIATE FACING ALLOWANCE  
FOR MACHINED PARTS

TOLERANCES ARE:

FRACTIONAL	ANGLES
XX ± .03	± 1/2
XXX ± .015	SURFACE FINISH

SCALE 1:4

REV.	BY	DATE	REV.	DATE	DESCRIPTION
1	DT	05/11/07			MANIFRED NG
	DT	7/1/07			CHECKED

DESCRIPTION:  
SCHEMATIC, HYD HDSE,  
PAVER (5000)

PART NO. **988608**

PART W.T. LBS

REV. **A**

SHEET 1 OF 2

