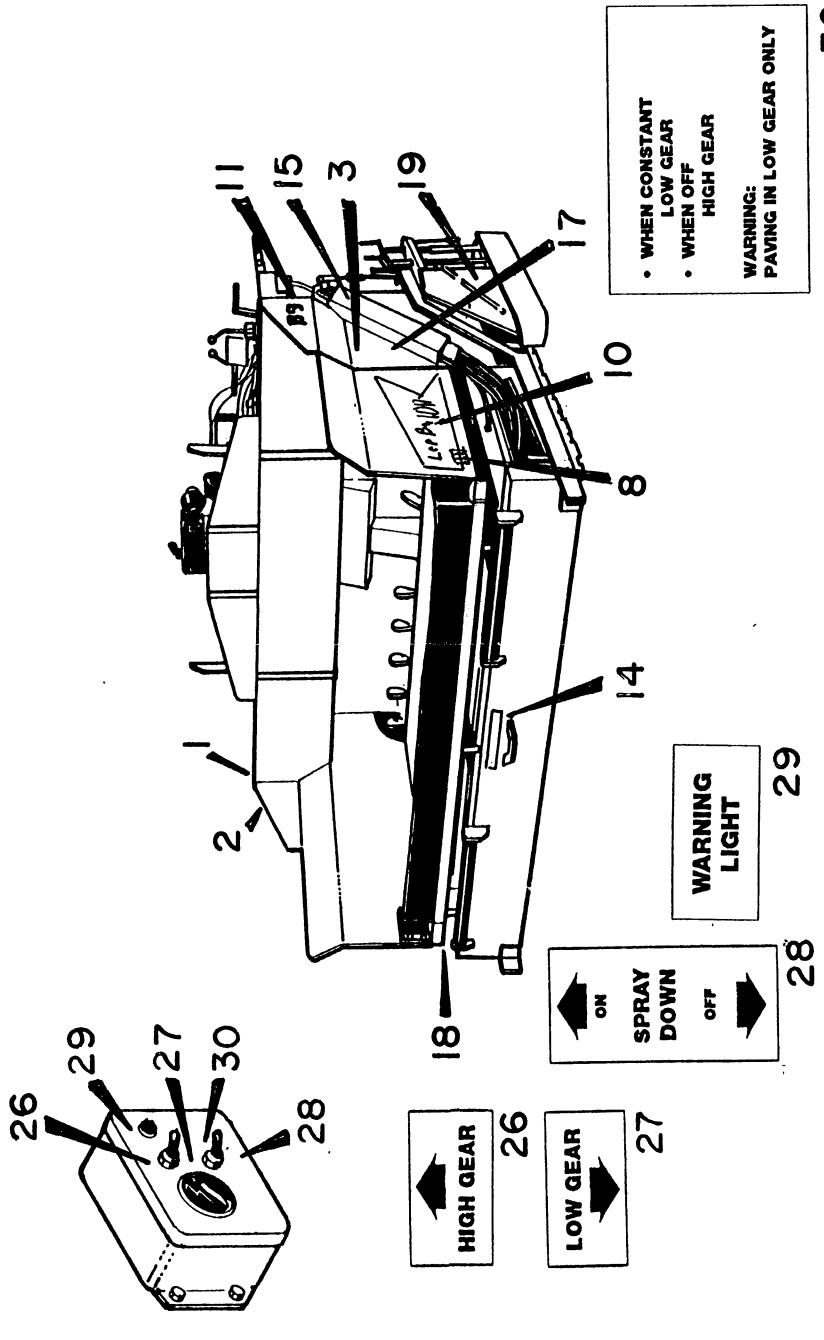
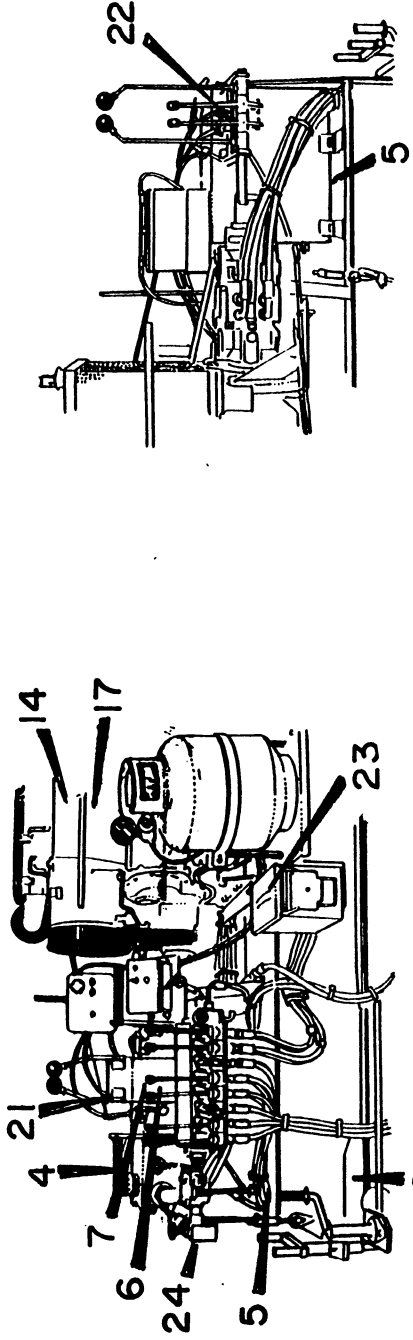
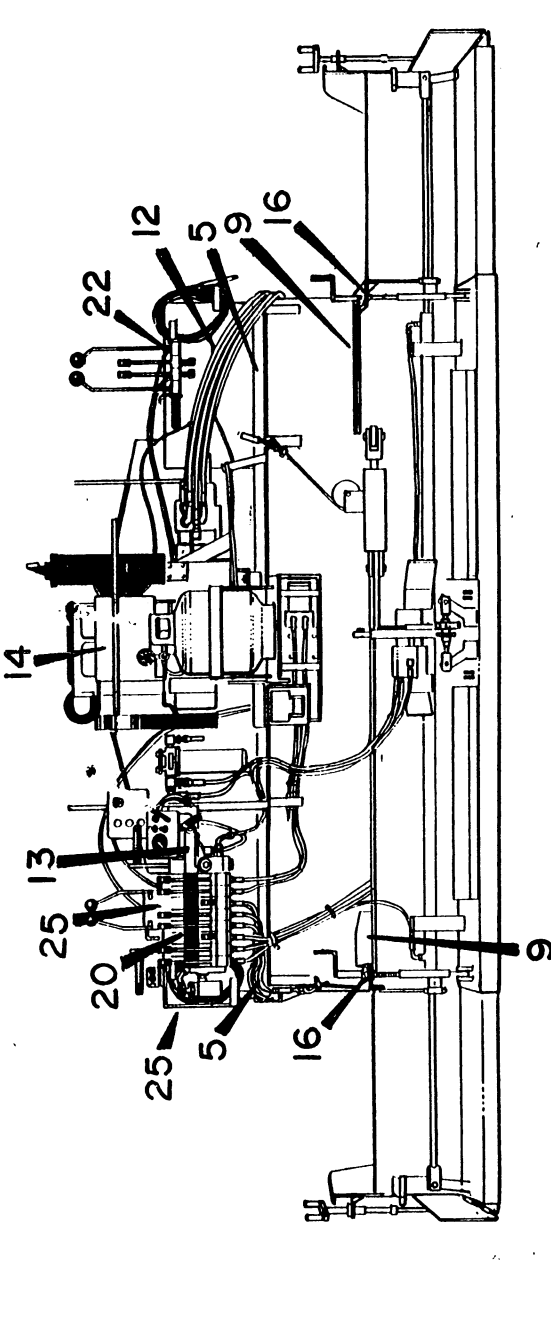


AUTOMATIC AUGGER ELECTRICAL *LeeBoy*
COMPONENTS

ITEM NO.	PART NO.	DESCRIPTION	QTY.
1	500040	Switch, toggle	2
2	900142	Cord, stretch	2
3	900132	Valve	2
4	900146	Paddle	2
5	900150	Bracket, Switch	2
6	900151	Receptacle	2
7	900153	Cover, outlet	2
8	900135	Switch, automatic auger	2



• WHEN CONSTANT LOW GEAR
• WHEN OFF HIGH GEAR
WARNING: PAVING IN LOW GEAR ONLY

DANGER
DON'T HILL
HEEL LINKS
WHILE SPRAYING
AN ADJUSTING
GUN HEAD

WARNING
DO NOT USE
ELECTRIC SPRAY SYSTEM
WHEN BURNERS ARE IN USE

DANGER
PINCH POINT
CAUTION
DO NOT SPRAY
FUEL OIL ON TIRES.

WARNING
HYDRAULIC OIL
ONLY
KEEP IT CLEAN

DANGER
Keep Hands &
Clothing Clear of
Augers & Conveyors

DANGER
Always Keep Grabbar
Latched While in Transit
(Keep All Adjustments Tight)

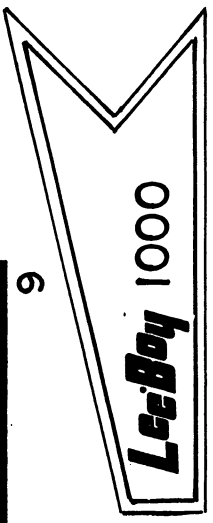
**DO NOT OPERATE OR TOW THIS
MACHINE WITHOUT FIRST
FULLY UNDERSTANDING
THE CONTENTS OF THE
OPERATORS MANUAL.**

IMPORTANT
WHEN CHANGING GEARS MOVE DRIVE
LEVERS FORWARD AND REVERSE
GENTLY, WHILE APPLYING ABOUT 15
LBS. PRESSURE ON SHIFTER HANDLE.
THIS WILL ELIMINATE TRANSMISSION
DAMAGE.

DANGER
PINCH POINT

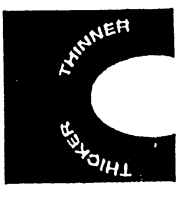
Lee-Boy
Check List
(1000B - 8000B - 8000BH)

A. Check fuel level in tanks before lighting burners.
(Propane pressure: 6-8 lbs.)
B. Check engine oil (use 15W40).
C. Grease all rollers every 100 Hrs. (Section 5)
D. Check hydraulic oil level (use 15W40). (Section 5)
E. Check oil level in gear boxes (use 90 WT.). (Section 5)
F. Grease all fittings daily except on bearings. Grease
all fittings on auger shafts. Auger grease fittings need to be greased at end
of day while still hot. (Section 5)
G. Check Quaco Controls and pump cables daily for wear
(overhaul Quaco Controls annually).
DANGER: Never shift High/Low on incline.
H. Check hoses for damage or wear.
I. Cleaning screed inserts. (Section 5)
J. Spraying fuel oil on machine for lubricating. Do not
spray drive wheels. (Section 4)
K. Always loosen vibrator nuts before adjusting crown.
(Section 4)
L. Track Adjustment: Adjust tension on springs to where
springs are just tight. Do not over-tighten. Adjust
rod coming out of take-up nut. Be sure both sides
measure the same.



LEE-BOY MFG. CO.
DENVER, NORTH CAROLINA 28037

THROTTLE



FORWARD
REVERSE

CHECK OIL
EVERY 30 DAYS

6 5 4 3 2 1 0

HIGH GEAR

LOW GEAR

ON
SPRAY
DOWN
OFF

WARNING
LIGHT

IN **EXTENSION** **RIGHT** **OUT**
LEFT **OUT**

UP **SCREED** **LIFT** **OUT**
LEFT **CLOSE**

OPEN **CUT OFF** **RIGHT** **CLOSE**
LEFT **CLOSE**

UP **FRONT** **LIP** **DOWN**
LEFT **DOWN**

IN **AUGER** **RIGHT** **OUT**
LEFT **OUT**

AUGER EXTENSION
RIGHT **OUT**
LEFT **OUT**

TOOL BOX

VIBRATOR

WARNING
ALWAYS FOLD SIDINGS ON
HOPPER OUT TO WORKING
POSITION BEFORE LEAVING TO
AVOID DAMAGE

25
(8' machine
only)